

Protection Class Current Transformer

Fastron
Electronics

FPT Series



Features:

- Flame retardant Injection Moulded
- Encapsulated with Terminal Cover
- Cold Rolled Silicon-Steel Strip
- High Strength Electromagnetic wire on Secondary

Applications:

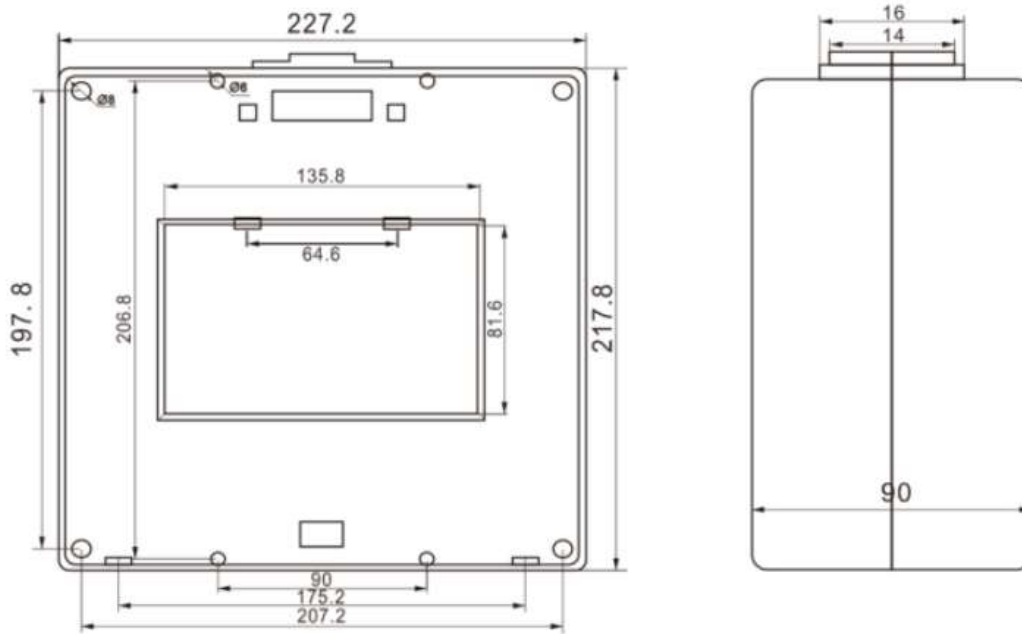
- To detect Short Circuit or Low Voltage Overloads
- Used with Protection Relays
- Primary Currents up to 40000 Amp
- For 5 Amp Protection Relays
- For Motor Protection Units
- Mounted Indoors without Severe Vibration

Key Specifications / Parameters

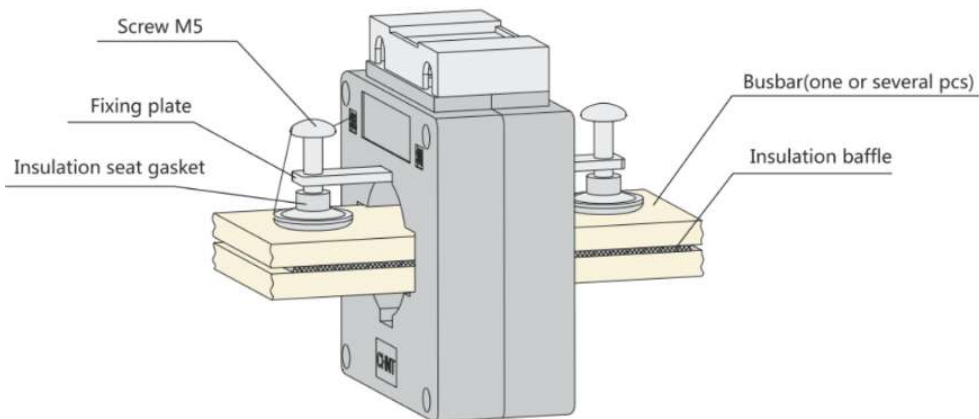
Part Number
Primary Current
Measurement Range
Secondary Current
Accuracy Class
Maximum Burden
Isolation
Design Standards

FPT-135 2000/5 5P20 15VA
2000 Amp (nominal)
40000 Amp (overload)
5 Amp
5P20 (5%)
15VA
3000V/1min 50Hz
IEC61869-2, EN60044-1, VDE0414-44-1,
GB1208-2006

Protection Class Current Transformer



Mounting Method #1



Mounting Method #2

