

## Digital display time relay

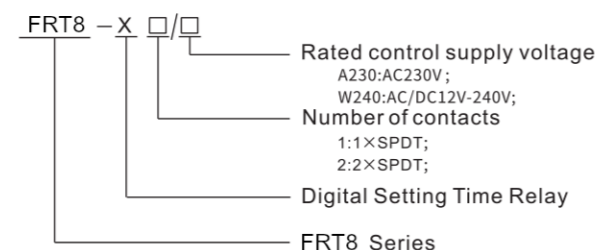
### Applications

- Multifunctional time relay can be used for industrial equipment, lighting control, heating element control, motor, fan control.
- With 20 delay modes, the delay range covers 0.1 seconds to 99 days.

### Feature

- 20 delay modes:
  - 5 delay modes controlled by power supply
  - 13 delay modes controlled by signal
  - ON, OFF mode
- Ultra wide delay range, 0.1 seconds - 99 days can be set.
- Relay status is indicated by LED.
- 1-MODULE, DIN rail mounting.

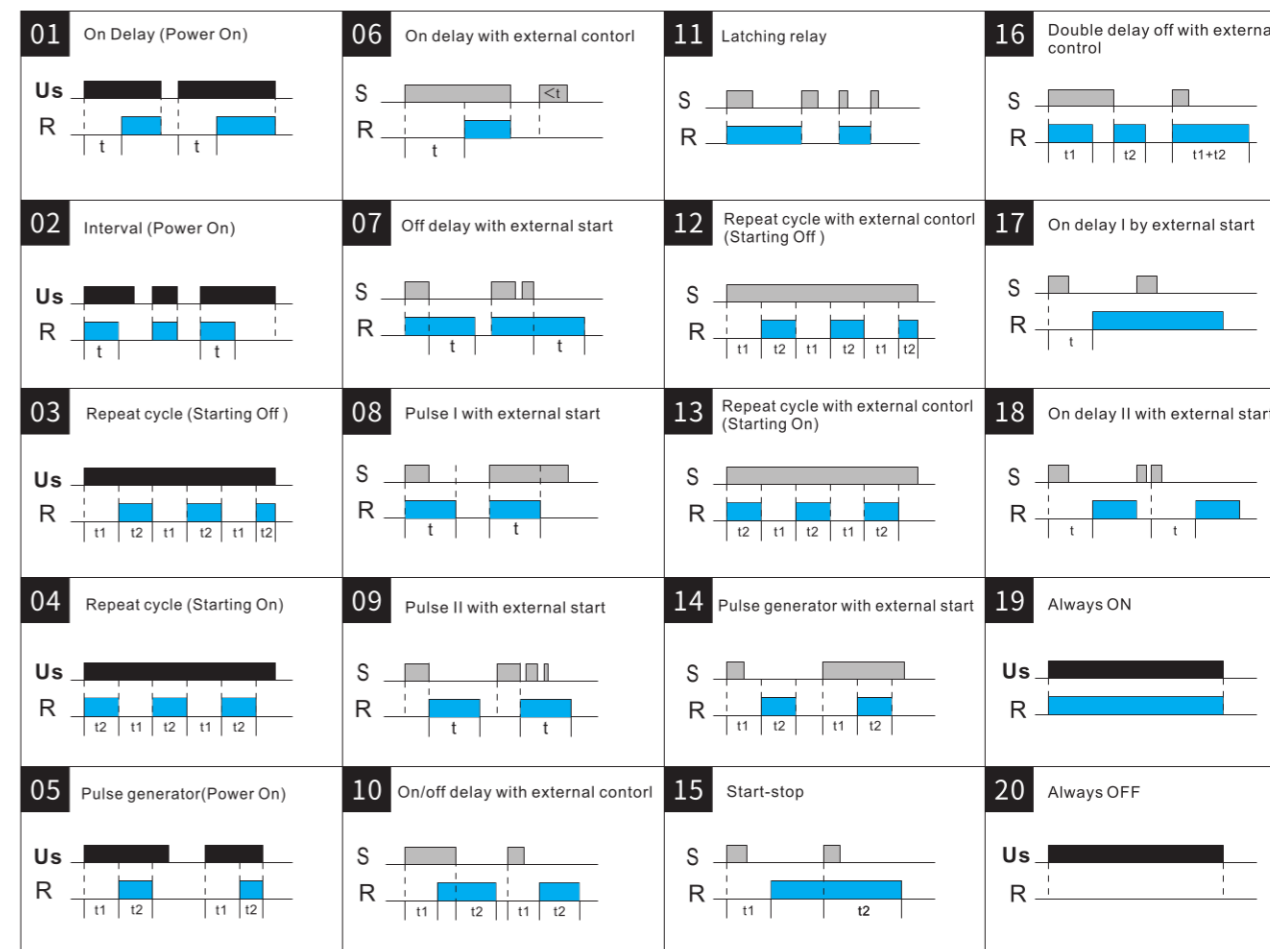
### Model and connotation



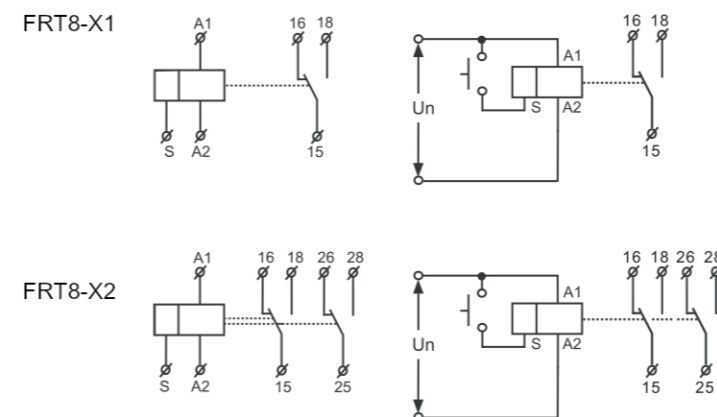
### Technical parameters

	FRT8-X1	FRT8-X2
Function	20 functions	
Supply terminals	A1-A2	
Voltage range	W240	AC/DC 12-240V(50-60Hz)
Burden	AC 0.09-3VA/DC 0.05-1.7W	
Voltage range	A230	AC 230V(50-60Hz)
Power input	AC max.6VA/1.3W	AC max.6VA/1.9W
Supply voltage tolerance	-15%;+10%	
Supply indication	green LED	
Time ranges	0.1s-99day,ON,OFF	
Time setting	Key setting	
Time deviation	≤1%	
Repeat accuracy	0.2%-set value stability	
Temperature coefficient	0.05%/°C,at=20°C(0.05%/°F, at=68°F)	
Output	1×SPDT	2×SPDT
Current rating	1×16A(AC1)	2×16A(AC1)
Switching voltage	250VAC/24VDC	
Min. breaking capacity DC	500mW	
Output indication	red LED	
Mechanical life	1×10 <sup>7</sup>	
Electrical life(AC1)	1×10 <sup>5</sup>	
Reset time	max.200ms	
Operating temperature	-20°C to +55°C (-4°F to 131°F)	
Storage temperature	-35°C to +75°C (-22°F to 158°F)	
Mounting/DIN rail	Din rail EN/IEC 60715	
Protection degree	IP40 for front panel/IP20 terminals	
Operating position	any	
Overvoltage category	III.	
Pollution degree	2	
Max. cable size(mm <sup>2</sup> )	solid wire max.1×2.5or 2×1.5/with sleeve max.1×2.5(AWG 12)	
Dimensions	90×18×64mm	
Weight	1×SPDT:W240-62g,A230-60g	2×SPDT:W240-82g,A230-81g
Standards	EN 61812-1,IEC60947-5-1	

### Functions Diagram



### Wiring Diagram



### Dimensions(mm)

