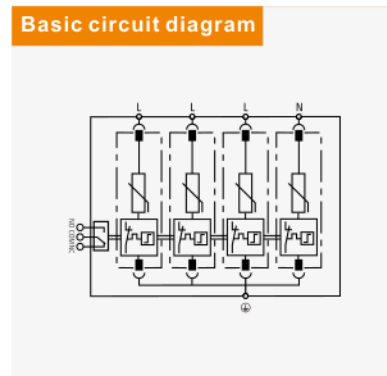
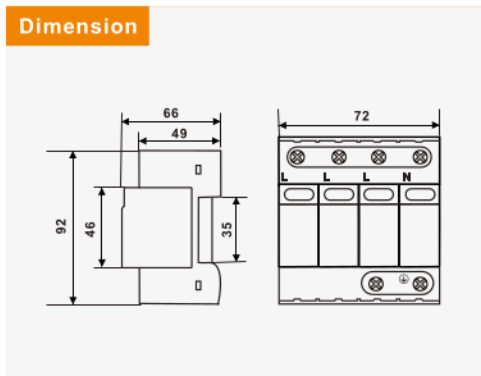


FRS4-C40-385R-T2

SPD type 2–surge arrester, MOV
Pluggable module, visual fault signalling

- Varistor surge arrester
- Installation to sub–distribution boards
- For protection of installations and equipments against impact of induced overvoltage during a lightning strike or switching overvoltages.
- Optional remote fault signalling(s)



T2 AC SPD

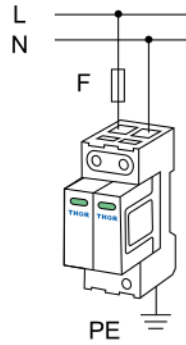
Parameter/Type		FRS4-C40-385R-T2
Nominal voltage	U_n	320VAC
Maximum operating voltage	U_c	385 V AC
Nominal discharge current (8/20 μ s)	I_n	20kA
Maximum discharge current (8/20 μ s)	I_{max}	40kA
Voltage protection level	U_p	≤ 1.8 KV
Response time	t_a	< 25ns
Cross–section of connected conductors solid(min/max)		16mm ² /35mm ²
Cross–section of connected conductors stranded(min/max)		16mm ² /35mm ²
Fault indication		red indication field
Remote indication		potential–free change–over contact
remote indication contacts		250V/0,5A AC, 250V/0, 1A DC
Cross–section of remote indication conductors		1,5mm ²
Degree of protection		IP20
Range of operating temperatures (min/ max)		–40°C~+85°C
Humidity range		5%~95%
Mounting		DIN rail 35 mm
According to standard		EN 61643–11:2012, IEC 61643–11:2011/T2
Remarks		Other U_c can be customized. (420VAC, 385VAC, 320VAC, etc.)

AC SPD Wiring diagram

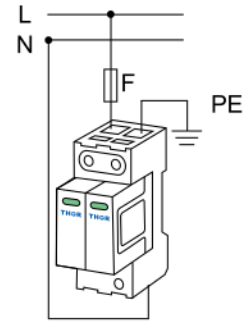
Single phase system



"1+0"
Connection

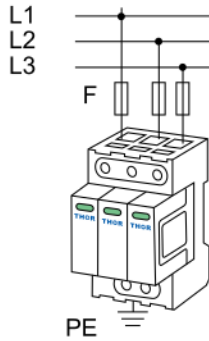


"2+0"
Connection

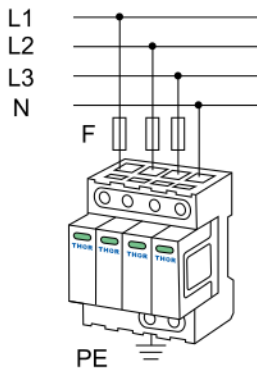


"1+1"
Connection

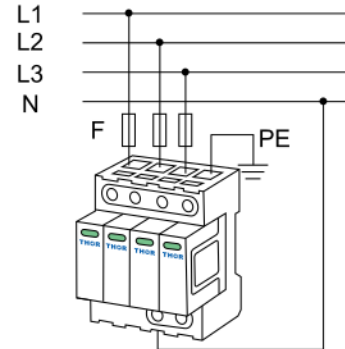
Three phase system



"3+0"
Connection

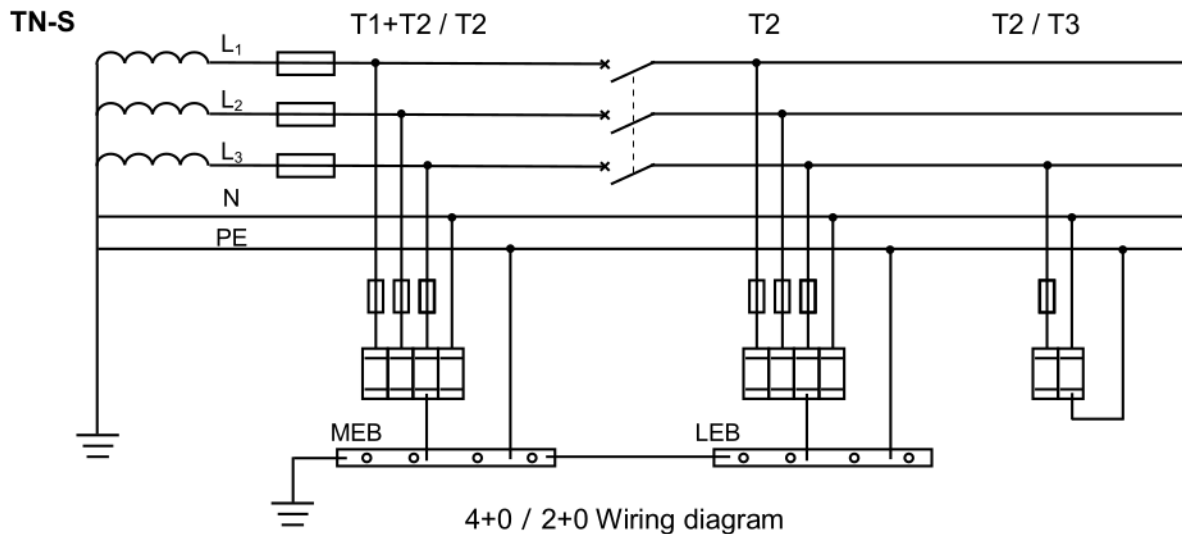


"4+0"
Connection



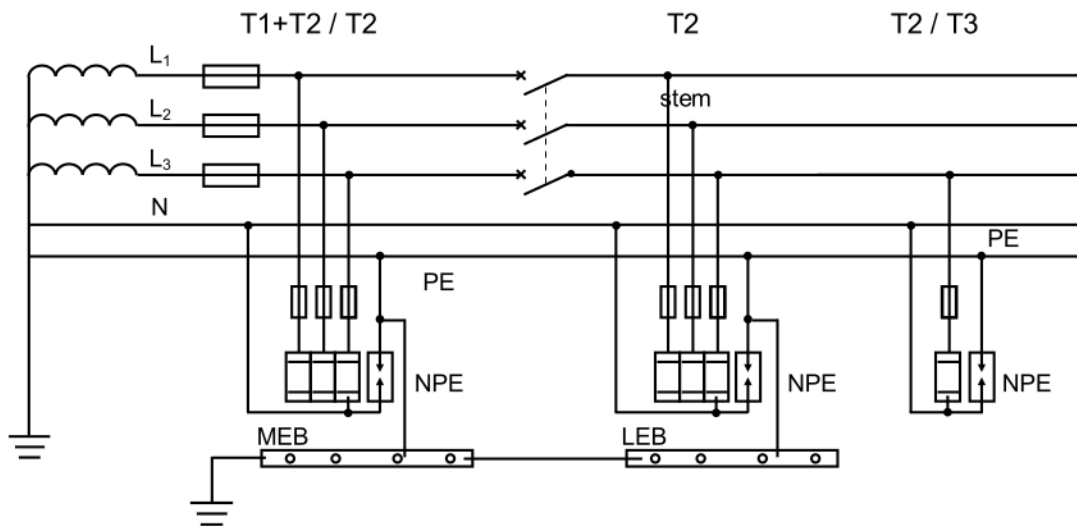
"3+1"
Connection

Connection of AC SPD in networks



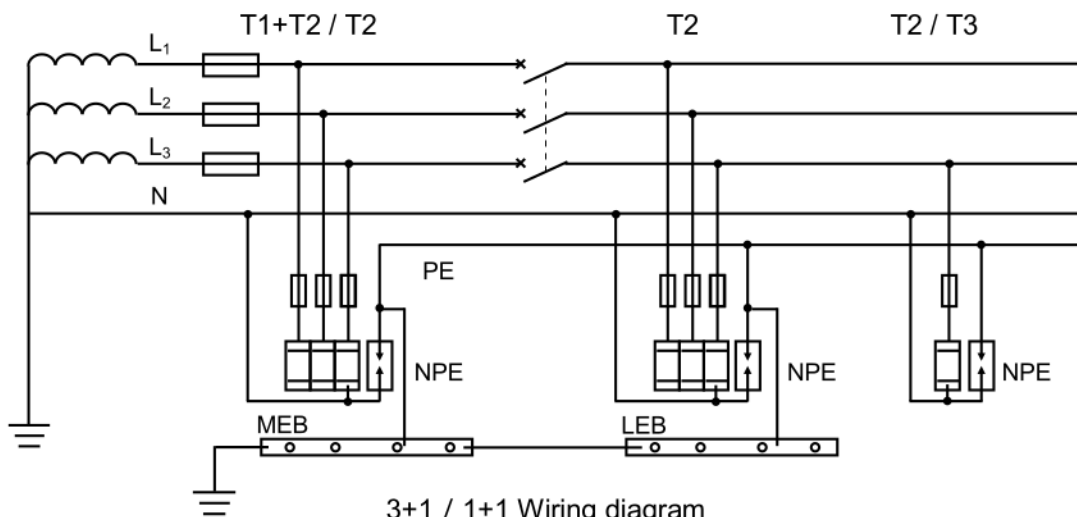
Connection of AC SPD in networks

MEN/TN-S



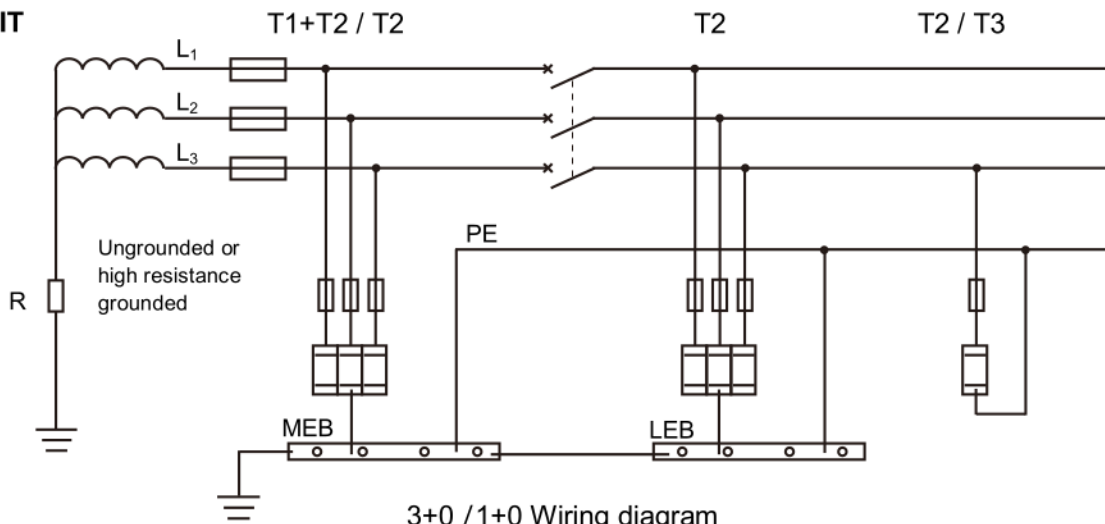
3+1 / 1+1 Wiring diagram

TT



3+1 / 1+1 Wiring diagram

IT



3+0 / 1+0 Wiring diagram