

Spine Metal Stool

Designed By Space Copenhagen, 2018

Spine is a series of chairs and barstools designed with a great attention to materiality, and a mixture of both classic and unorthodox design details. With a dynamic look, the series evolves around a straight seat, designed to bridge the comfort of a fine dining chair, with the openness and social invitation offered by a traditional barstool.

MODEL

1936 - Fully upholstered

MATERIALS

Frame of powder coated, welded steel tube and conic steel legs mounted with glider. Seat shell is fully upholstered with CMHR or HR foam on plywood core, covered in fabric or leather. Finished with piping in the same fabric as upholstery or with contrast piping in leather. Cover is non-removable. Please specify counter- or bar height.

COUNTRY OF ORIGIN

LV

FABRIC- & LEATHER CONSUMPTION

Fabric: 0,6 m

Leather: 0,88 m²

TEST & CERTIFICATES

FSC® certified

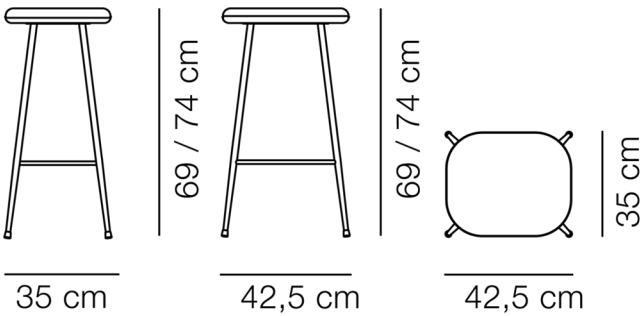
EN 1022:2005, EN 16139:2013 (L2)



ESSENTIAL ASSORTMENT

UPHOLSTERY	FRAME	SEAT HEIGHT
Leather Omni 301, Black	Black, smooth	74 cm
Leather Trace 8680, Heritage brown	Black, smooth	74 cm

DIMENSIONS



Weight: 5,9 kg

PACKAGING INFORMATION

L: 35,5 cm, W: 46,5 cm, H: 78,5 cm,

Cbm: 0,14m³

6,7 kg

CARE & MAINTENANCE

Our Care & Maintenance offers guidance for best maintenance of our furniture. It includes advice and instructions on cleaning and caring for specific materials to ensure a long life of your furniture. Find your product on our product site and navigate to the Product Care menu:

[Link to Cleaning & Maintenance](#)

SUSTAINABILITY

Fredericia's furniture is intended to be passed on from generation to generation. The core values of good design are rooted in the sense of responsibility and use of natural materials, ethical methods of production and respect for the people using our furniture every day.

Transparency, sustainability, and circularity are essential, and with a growing number of certifications and ambitious initiatives, Fredericia takes pride in continuously improving its performance while facilitating sustainable customer choices. Download our Sustainability report, Fredericia for People & Planet, here:

[Fredericia for People & Planet](#)

WARRANTY

Fredericia Furniture A/S offers a 7-year guarantee against manufacturing defects in standard products (materials and construction). The warranty does not cover wear and damage to covers, surface treatment, inappropriate use and the like.

For further information regarding our guarantee, please visit [Fredericia.com](#).

DOWNLOADS

Download images, architect files at our partner portal on [www.fredericia.com](#)

SURFACES & COLOURS

FRAME



BLACK,
SMOOTH

RECOMMENDED UPHOLSTERY

Fabric group 0	Connect
Fabric group 1	Grand Linen, Linara, Bardal, Capture, Remix, Re-wool, Ruskin, Natural Linen, Erik
Fabric group 2	Hallingdal, Harald, Savoy, Clay, Barnum, Sunniva, Steelcut Trio, Fiord, Foss, Loop
Fabric group 3	Vidar, Divina Melange, Cotil, Elle
Fabric group 4	Sisu, Safire, Grand Mohair
Fabric group 5	Gentle
Leather group 0	Leather group 0 Vice
Leather group 1	Omni, Leather group 1 Omni
Leather group 2	Leather group 2 Primo/Trace
Leather group 3	Leather group 3 Max
Leather group 4	Leather group 4 Cera/Vegeta/Organic/Nubuck