

52-00 base plate



product description

The 52-00 base plate is designed to ensure optimum weighing performance from the range of compatible load cells. Available in a number of sizes with a choice of stainless steel or zinc plated alloy steel construction. Load cell mounting bolts are provided with each base plate. Optional overload-stop feature available.

The 52-00 is compatible with the SB4, SB5, SB6, SB8, SLB, SB9 and SB14 beam load cells; for the latter three, the base plate is supplied with a lateral load cell locking system. This is also optionally available for the SB4 and SB5 load cells.

applications

Tank and vessel weighing systems, extra-large and high capacity industrial platform scales.

key features

Stainless or zinc plated alloy steel construction

Available with optional overload protection

Available in a wide range of sizes to suit the Flintec range of beam load cells

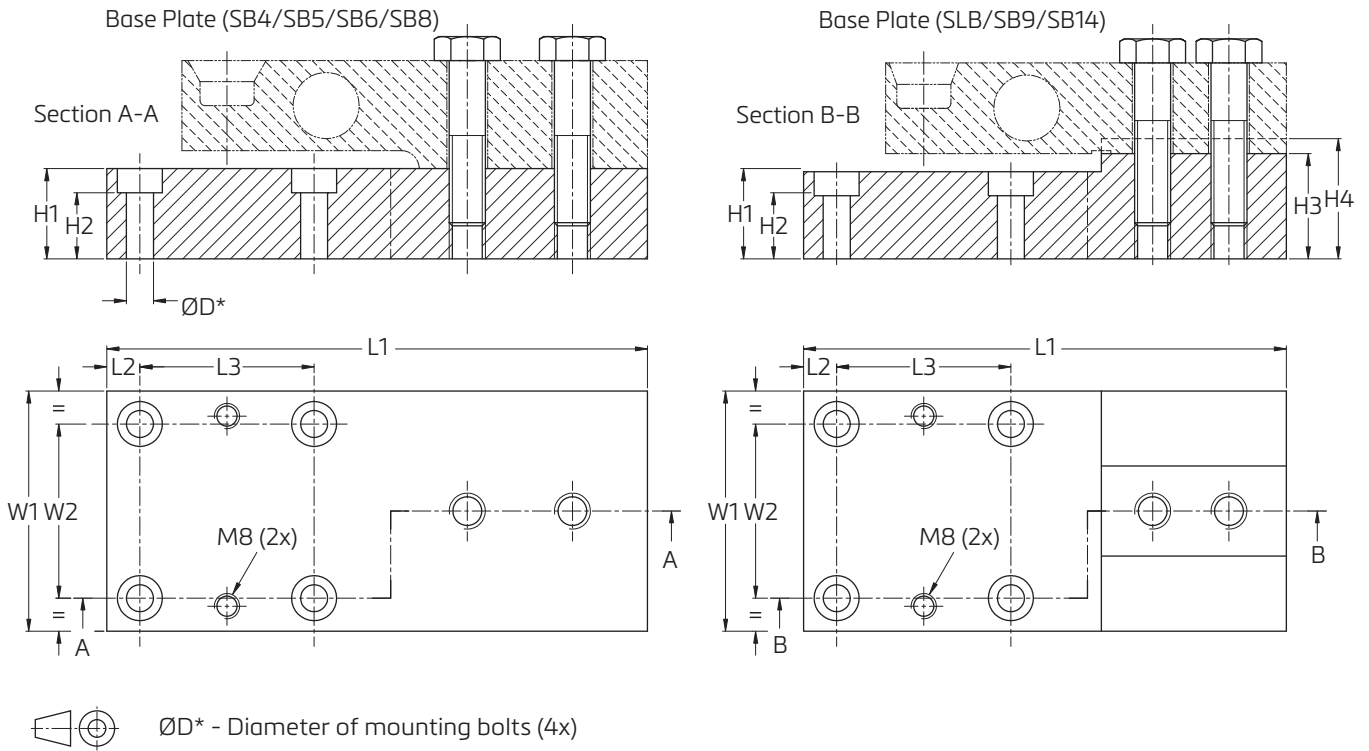
options

Lateral load cell locking system for SB4 and SB5.

Overload protection system



product dimensions (mm)

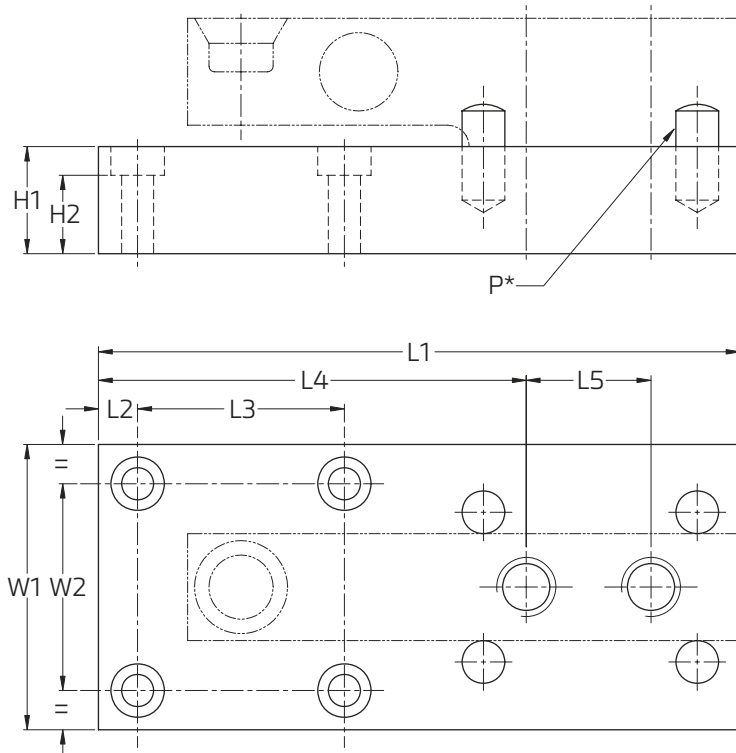


Load Cell Type	Capacity kg	L1	L2	L3	H1	H2	H3	H4	W1	W2	D	Mounting bolts
SB6-20 kg...2 kN *	20...204	150	8	44	15	8			60	44	7	M6
SB8-10 kg...500 kg *	10...500											
SB4-5 kN...20 kN	510...2039	180	11	58	30	21			80	58	9	M8
SB5-5 kN...20 kN												
SB4-50 kN	5099	220	12	76	40	29	n.a.	n.a.	100	76	11	M10
SB5-50 kN												
SB4-100 kN	10197	275	15	90	60	47			120	90	14.5	M12
SB5-100 kN												
SLB-200 lb...5 klb	91...2268	164	11	58	29	20	35	40	80	58	9	M8
SB9-250 kg...2000 kg	250...2000											
SB14-500 lb...5 klb	227...2268											
SB14-10 klb	4536	210	12	76	38	32	46	50	100	76	11	M10

* To be mounted including spacer (height 15 mm).

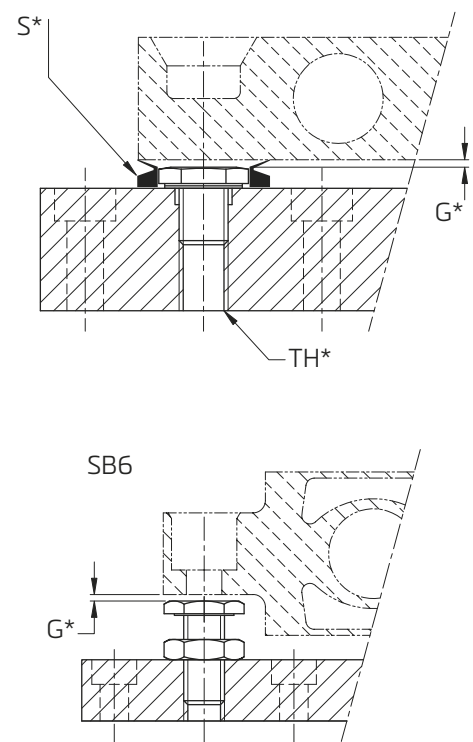
options

Load cell locking system for SB4/SB5 (optional)



P* - Pins in base plate (4x) - to prevent rotation of the load cell
G* - Gap x setting by means of special shims

Overload protection system (optional)



S* - Special bolt shims v-ring
TH* - Additional threaded hole in base plate

Load cell SB6	Deflection*	Gap "x" setting**	Load cell SB4/SB5	Deflection*	Gap "x" setting**
200 N	0.21 mm	0.25 mm	5 kN	0.21 mm	0.25 mm
500 N	0.30 mm	0.40 mm	10 kN	0.29 mm	0.35 mm
1 kN	0.26 mm	0.35 mm	20 kN	0.49 mm	0.60 mm
2 kN	0.36 mm	0.45 mm	50 kN	0.52 mm	0.65 mm
			100 kN	0.74 mm	0.95 mm
Load cell SLB	Deflection*	Gap "x" setting**	Load cell SB14	Deflection*	Gap "x" setting**
200 lb	0.27 mm	0.35 mm	500 lb	0.21 mm	0.30 mm
500 lb	0.24 mm	0.30 mm	1 klb	0.24 mm	0.30 mm
1 klb	0.25 mm	0.30 mm	2.5 klb	0.32 mm	0.40 mm
2.5 klb	0.33 mm	0.40 mm	5 klb	0.47 mm	0.60 mm
5 klb	0.56 mm	0.70 mm	10 klb	0.30 mm	0.40 mm
Load cell SB8	Deflection*	Gap "x" setting**	<p>* Deflection is defined as the sum of load cell deflection and base plate bending.</p> <p>** Settings for utilisation to Maximum Capacity of the load cell.</p> <p>If utilisation of load cell is lower, the setting value could be reduced in proportion to the load</p>		
10 kg	0.29 mm	0.35 mm			
20 kg	0.30 mm	0.40 mm			
50 kg	0.23 mm	0.30 mm			
100 kg	0.30 mm	0.40 mm			
200 kg	0.38 mm	0.45 mm			
250 kg	0.87 mm	0.95 mm			
500 kg	1.25 mm	1.35 mm			

Specifications and dimensions are subject to change without notice.