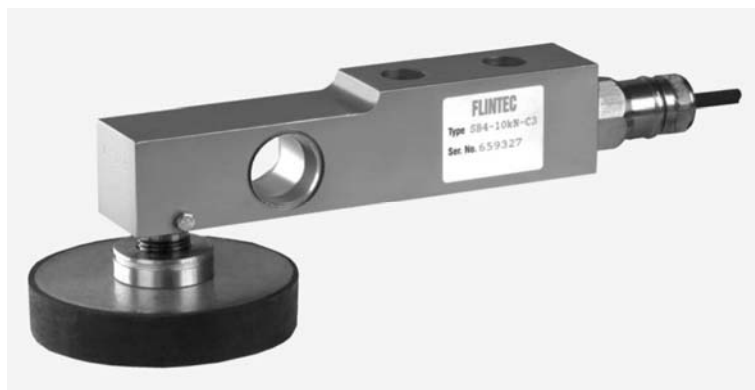


Application Guidelines

Rubber Foot Type 52-02



Height Adjustable Rubber Foot Type 52-10, 52-15



Basic function

The basic function of the rubber element is to prevent side forces from affecting load cell performance and at the same time, keeping the load carrier in position. The rubber element is not to be seen as a vibration damper although it has a limited damping effect. It is relatively stiff in vertical direction while weak in horizontal direction.



No side force = centred



Side force acting

Height Adjustment

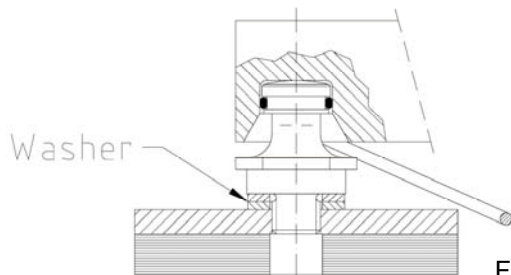


Figure 1

For Type 52-02 the height can be adjusted by adding standard washers between the loading pin and the rubber foot. See Figure 1.

For Type 52-10 (and 52-15) the height is adjusted by simply rotating the rubber foot. The loading pin is prevented from rotation with the foot by the retaining screw. See Figure 2.

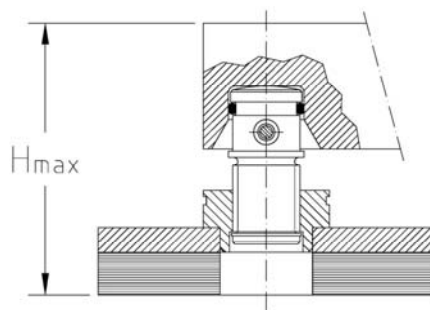
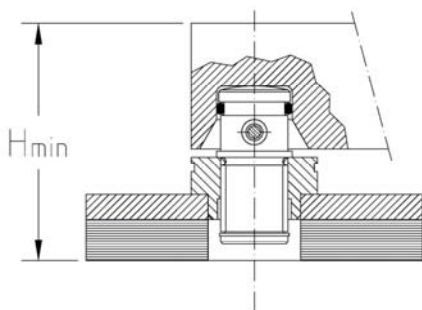


Figure 2

Retaining Function

For type 52-02 a spring clip prevents the rubber foot from falling out in case the load carrier is lifted. For Type 52-10 a screw through the cell and loading pin gives the same function. See Figure 3.

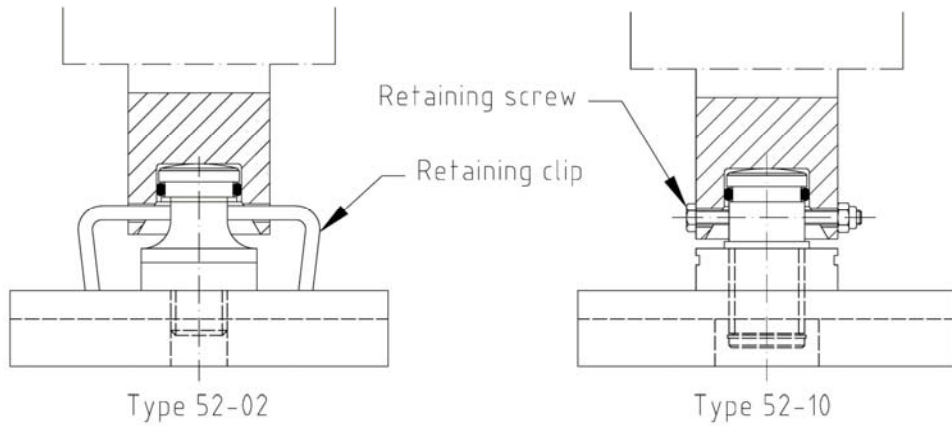


Figure 3

Installation examples

The Load Cells should be positioned so that the load is distributed as equally as possible between them. See examples below.

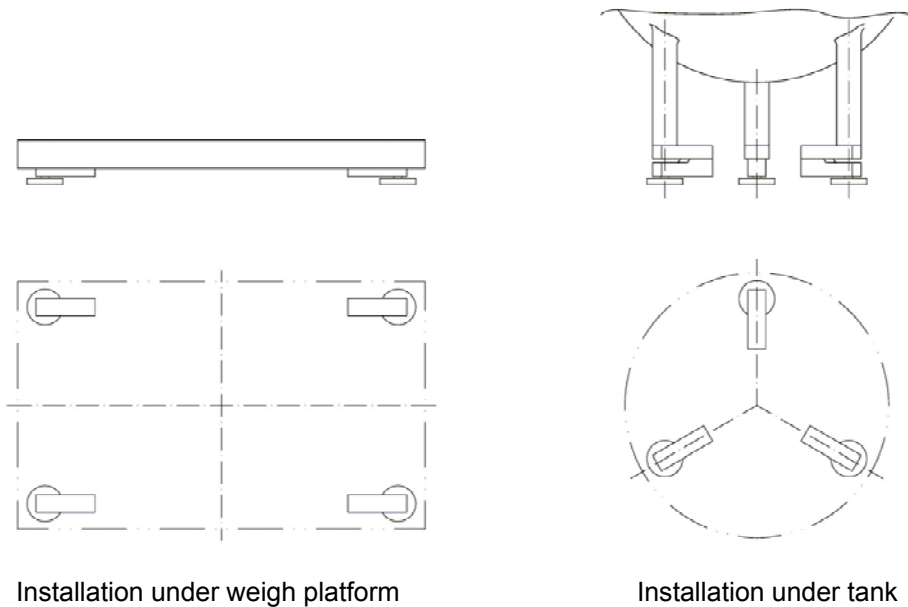


Figure 4

Installation examples

Figure 5 shows the rubber foot Type 52-02 installed under a floor scale. A hook is mounted on the loading pin, holding the ramp in position.

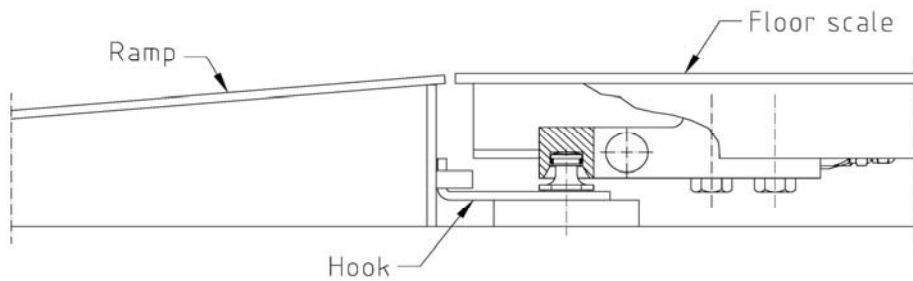


Figure 5

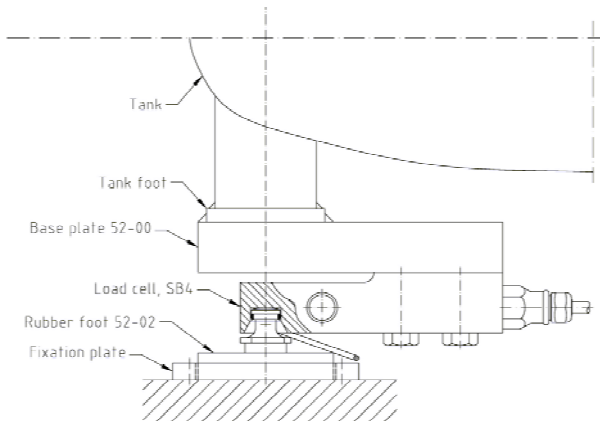


Figure 6

Figure 6 shows the Rubber Foot Type 52-02 installed, under a tank together with Base Plate 52-00. Fixation plates keep the Rubber Feet in position on the floor, in case of vibrating load carriers or when there is risk for load carrier being pushed out of position.

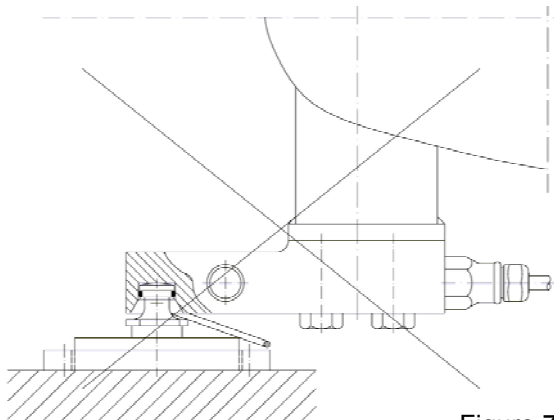


Figure 7

Figure 7 shows incorrect mounting which gives a bending moment in the tank leg. The rubber foot shall be positioned on the centreline of the leg, see Figure 6.

Fixation plates

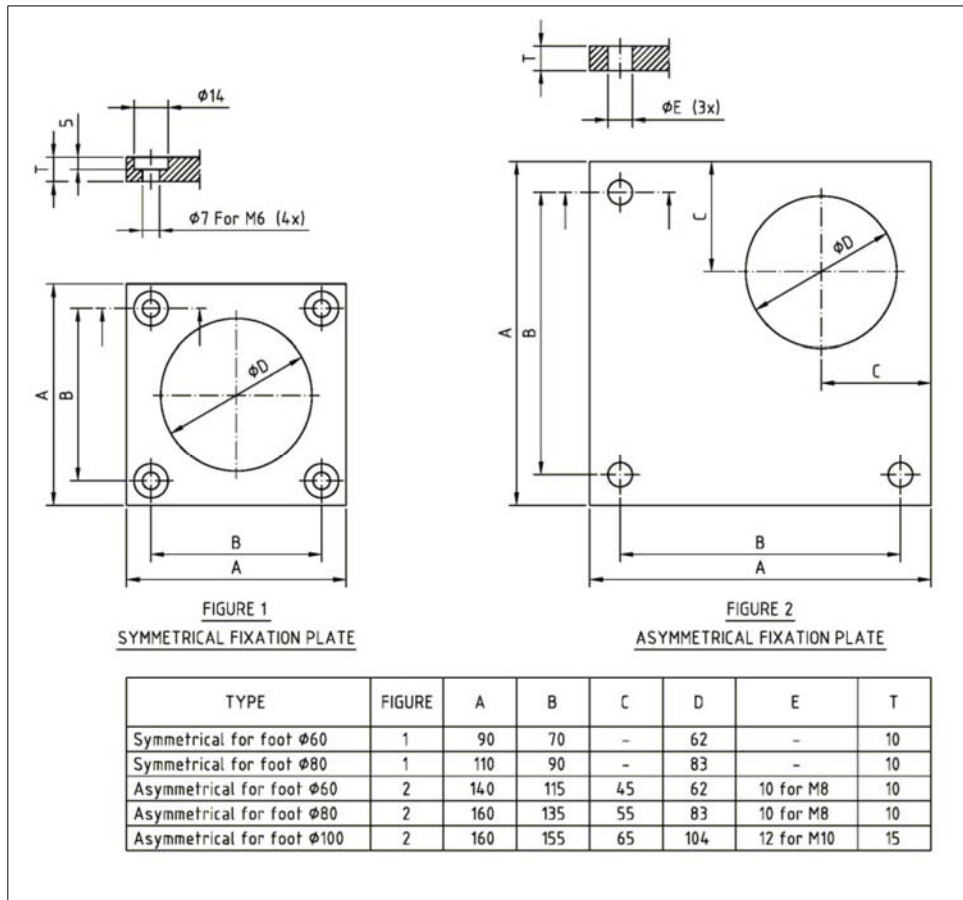


Figure 8

Normally 2 fixation plates are sufficient, positioned at the 2 load cells which are furthest apart in the scale. The fixation plates shall be well centred to the rubber feet. One practical method to achieve centring is to push all fixation plates in same direction, in contact with the rubber elements and with the plates in this position,

For the symmetrical fixation plates:

Carefully mark the position of the fixation plate with sharp pen marks on the floor or use small pieces of tape positioned close to the fixation plate. Lift away the load carrier and drill holes as required for the fixation screws, using the fixation plate as a template. Finally reposition the load carrier.

For the asymmetrical fixation plates:

In this case the holes can be drilled without lifting the load carrier, because the fixation plate extends outside the load carrier. Just make sure the fixation plates do not move while drilling the holes. For fixation with plugs, drill with same diameter as the holes to get centre marks. Then rotate the plate 45° and drill the larger holes for the plugs.

Type 52-15, Height Adjustable Rubber Foot

The Height Adjustable Rubber Foot is also available as Type 52-15. This version is designed for the BK2 Load Cells. It is available in both metric (M12) and unified (1/2"-20UNF) versions. See Figure 9.

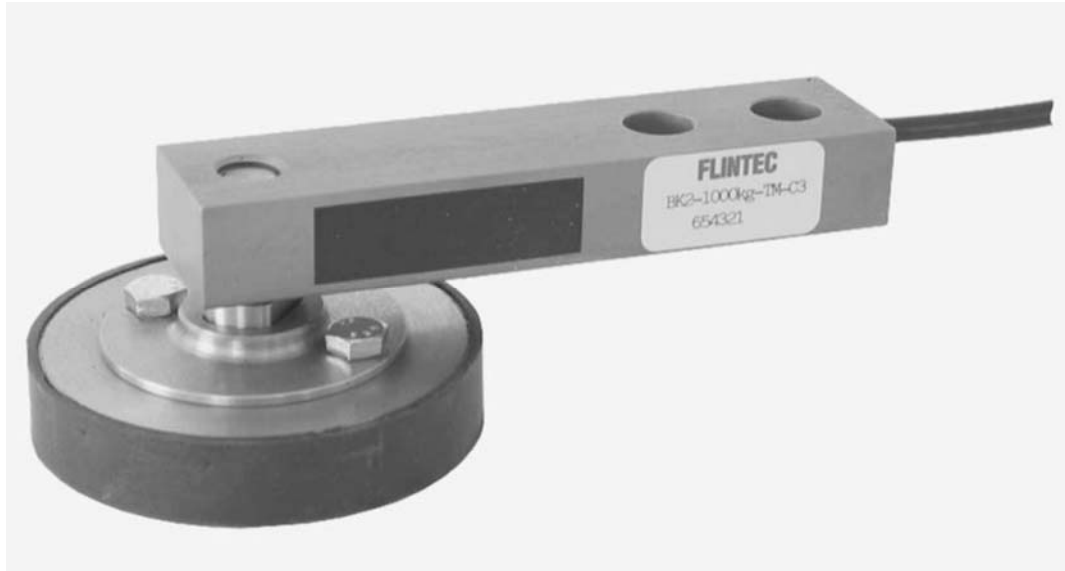
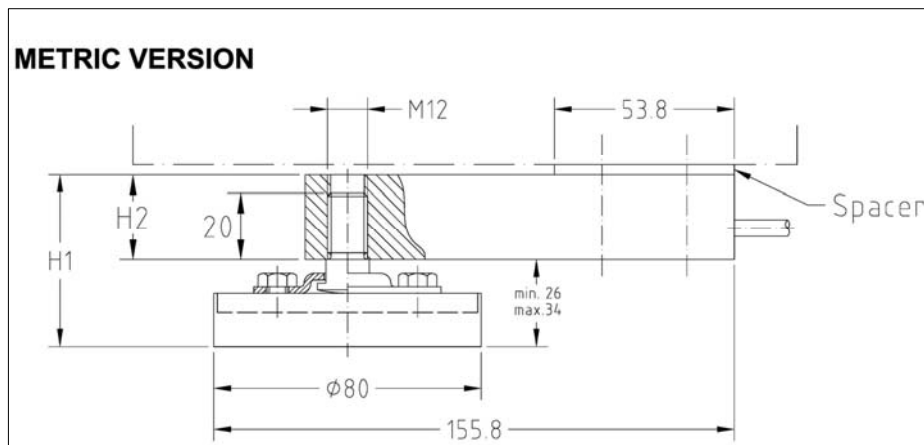


Figure 9

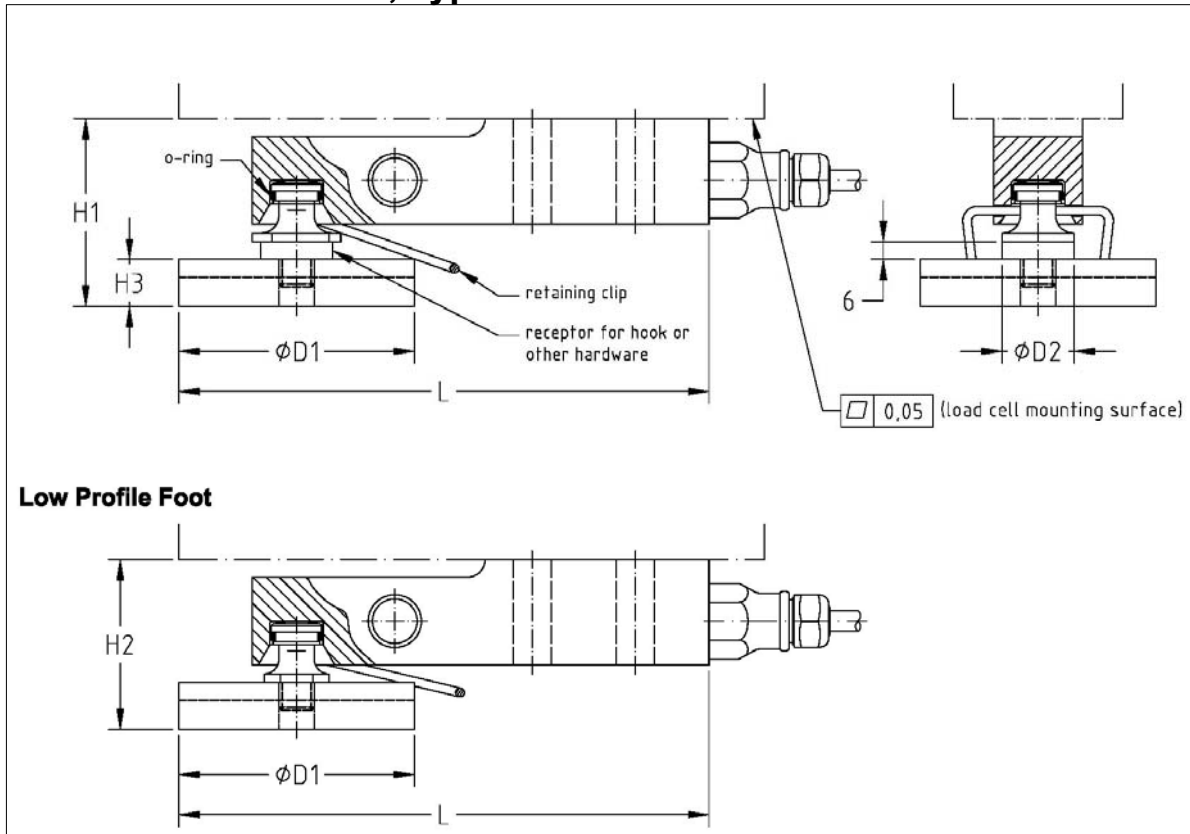
Dimensions and data, Type 52-15 (Metric)



Load Cell Type	H1	H2
BK2-200 kg	38,7...46,7	12,7
BK2-500 kg	41,9...49,9	15,9
BK2-1000 kg	45,1...53,1	19,1
BK2-2000 kg	51,4...59,4	25,4

All dimensions in mm. Dimensions and specifications are subject to change without notice. CAD files for customer's own applications drawings are available on request.

Dimensions and data, Type 52-02



Load Cell Type	Capacity in kg	L	H1	H2	H3	D1	D2
SB4/SB5-5 kN/10 kN/20 kN	510/1020/2039	180	65	58	16	80	24.5
SB4/SB5-50 kN	5099	219	90	n.a.	18	100	34.5
SB4/SB5-100 kN	10179	278	109	n.a.	26	125	44
SB14-500 lb/1 klb	227/454	164	60	53	16	80	24.5
SB14-2.5 klb/5 klb	1134/2268	164	62*	55*	16	80	24.5
SLB-200 lb/500 lb	91/227	154	61*	54*	16	60	24.5
SLB-1 klb/2.5 klb/5 klb	454/1134/2268	164	61*	54*	16	80	24.5

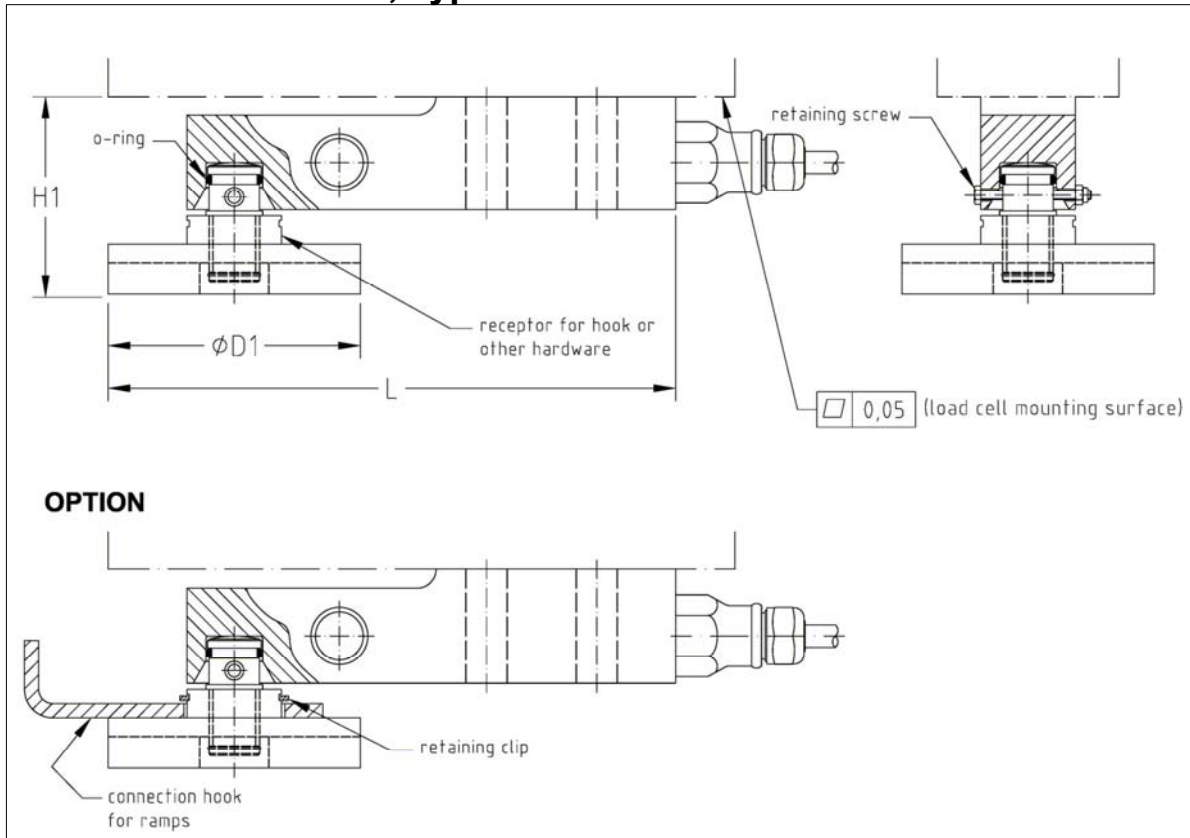
* Including spacer.

** A special retaining clip is available

All dimensions in mm. Dimensions and specifications are subject to change without notice.

CAD files for customer's own applications drawings are available on request.

Dimensions and data, Type 52-10



Load Cell Type	Capacity in kg	L	H	D
SB4/SB5-5 kN/10 kN/20 kN	510/1020/2039	180	63...71	80
SB6-200 N/500 N/1 kN/2 kN	20.4/51/102/204	150	65...71*	60
SB14-500 lb/1 klb	227/454	164	58...66	80
SB14-2.5 klb/5 klb	1134/2268	164	60...68*	80
SLB-200 lb/500 lb	91/227	154	57...63*	60
SLB-1 klb/2.5 klb/5 klb	454/1134/2268	164	59...67*	80

* Including spacer.

All dimensions in mm. Dimensions and specifications are subject to change without notice.
CAD files for customer's own applications drawings are available on request.

 **FLINTEC**

www.flintec.com