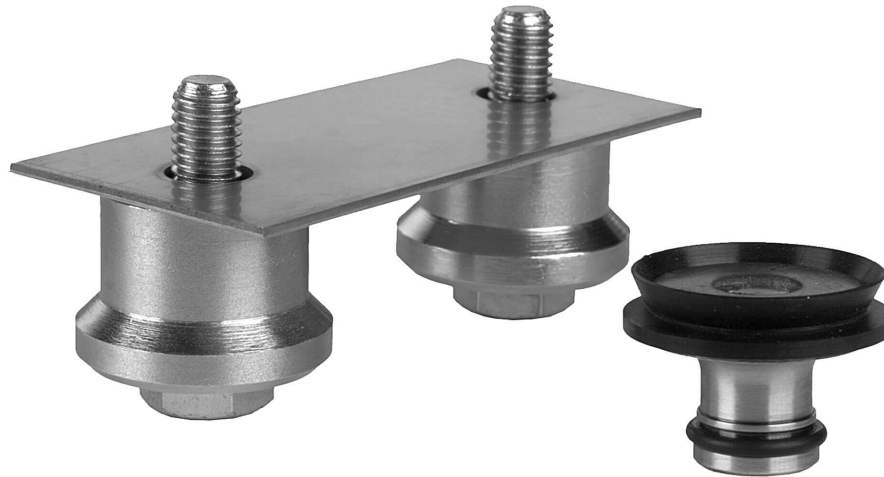


# 52-13 sliding system



## product description

Designed specifically for hopper, tank and mixer vessel weighing systems, the 52-13 sliding system offers excellent load introduction in an economic package. Available in 2-directional bumper or 3-directional bumper arrangement. In addition, a variant "T" is available, which allows a tangential orientation. Can be supplied with base plate, lift-off protection, welding plates and fixtures. Especially designed for SB4, SB5, SB6, SB14 and SLB load cells.

## applications

Hopper and tank weighing systems, mixing vessel weighing systems.

## accessories + options

Upper welding plate

Welding fixture

Base plate, with jacking bolt

Lift off protection

## key features

Zinc plated steel or stainless-steel construction

2-directional or 3-directional versions

Blind-hole load introduction

Wide range of capacities from 20kg to 10,000kg

Very easy to install

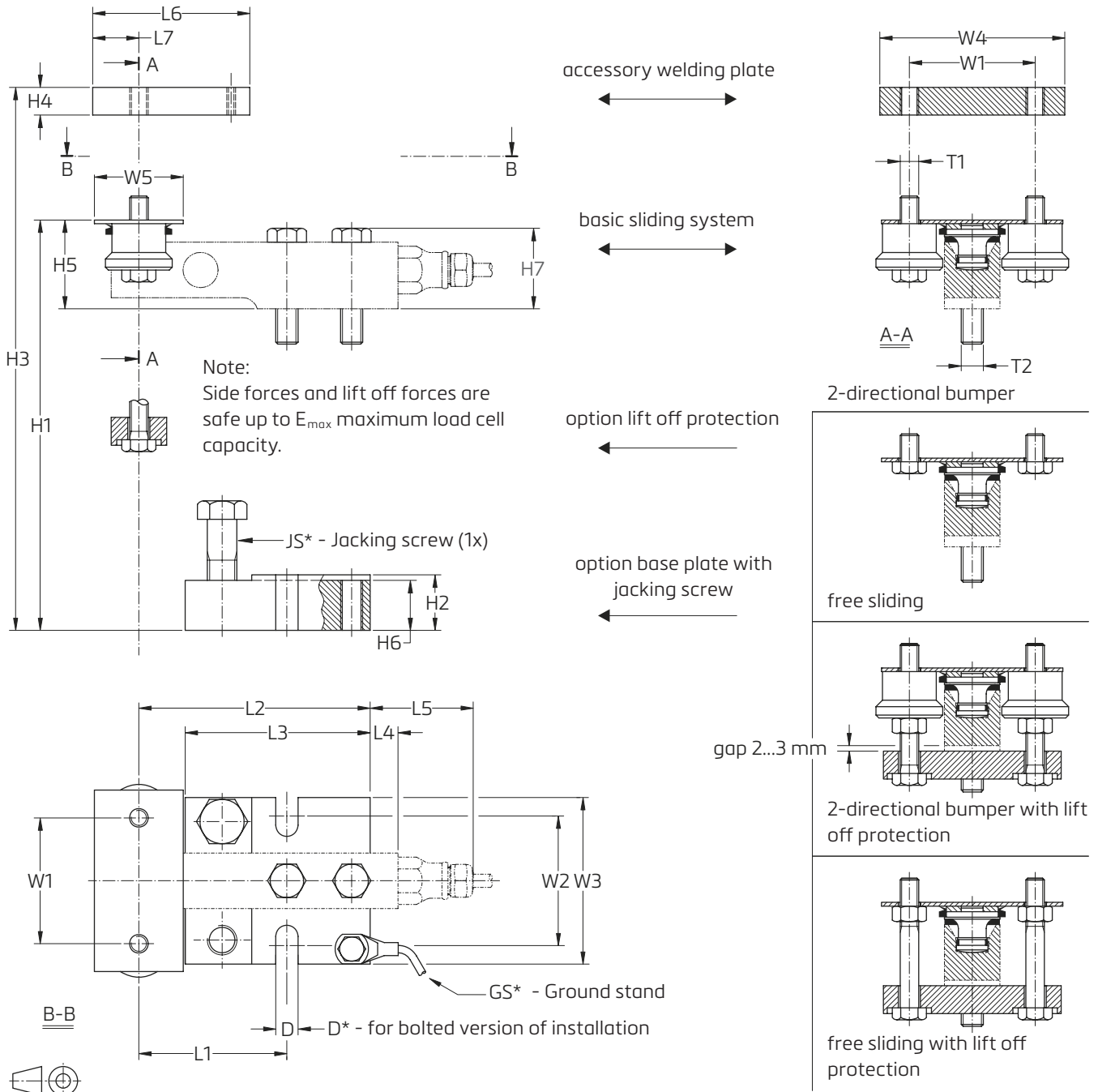
No check links needed

Installation by bolting or welding

W&M certified for 3,000 intervals



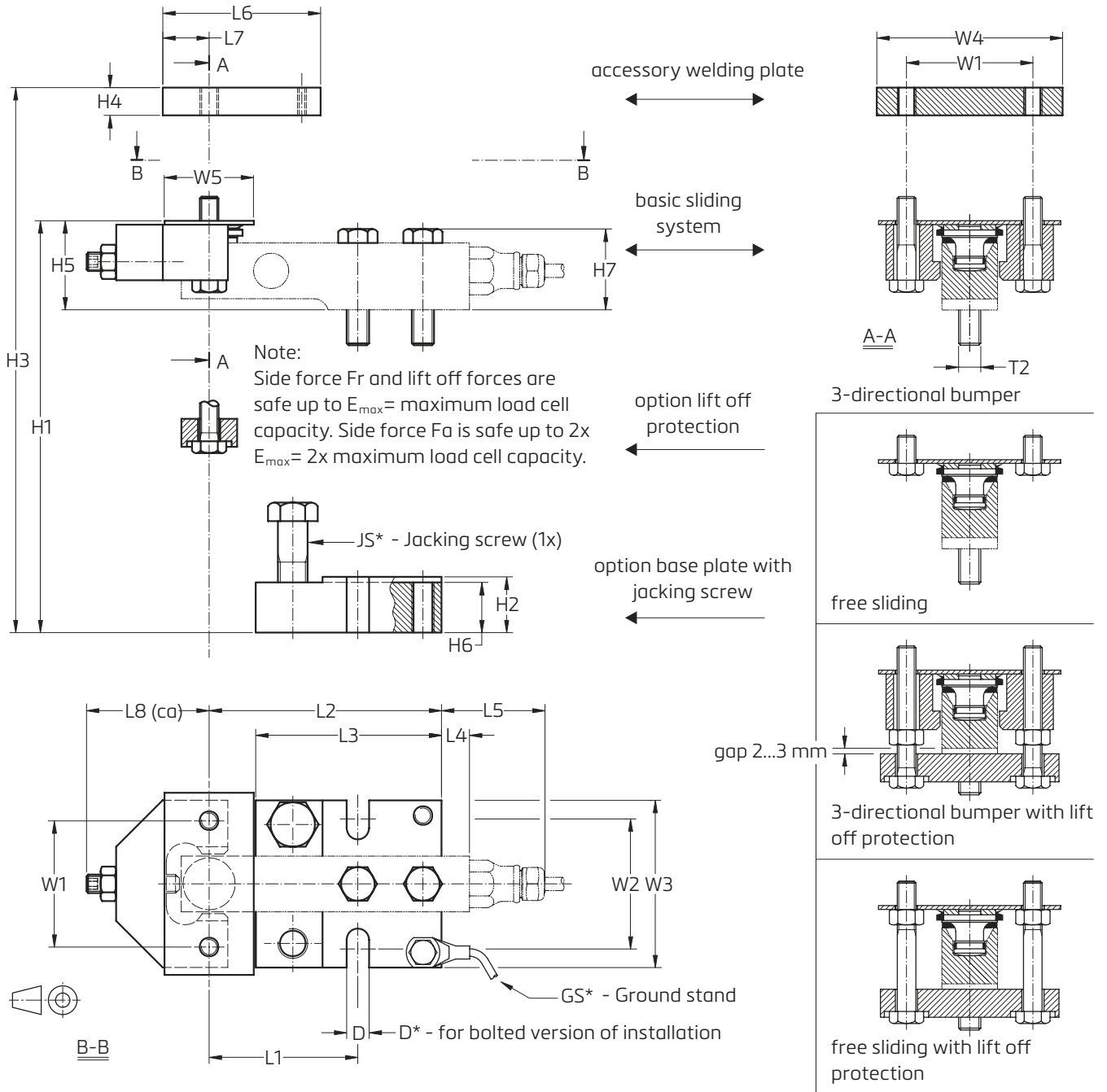
## 52-13 Dimensions 2-directional bumper and free sliding units (mm)



Load cell type	H1	H2	H3	H4	H5	H6	H7	L1	L2	L3	L4	L5	L6	L7	W1	W2	W3	W4	W5	D	T1	T2
SB4/SB5-5/10/20 kN	75	30	90	15	48	27	44	80	125	100	15	56	85	25	68	70	90	100	48	13	M10	M12
SB4/SB5-50 kN	110	50	130	20	65	45	62	105	160	130	9	50	110	30	94	100	120	140	58	16	M16	M20
SB4/SB5-100 kN	135	50	160	25	90	45	88	135	205	160	10	51	135	35	120	130	150	180	68	20	M20	M24
SB6-0.2/0.5/1/2 kN	78	40	90	12	42	36	30	55	115	95	5	46	70	20	54	60	80	80	38	8	M6	M8
SB14-0.5/1/2.5/5 klb	75	35	90	15	43	32	39	80	125	100	-	37	85	25	68	70	90	100	48	13	M10	M12
SLB-0.2/0.5/1/2.5/5 klb	74	35	89	15	42	32	38	80	125	100	-	17	85	25	68	70	90	100	48	13	M10	M12

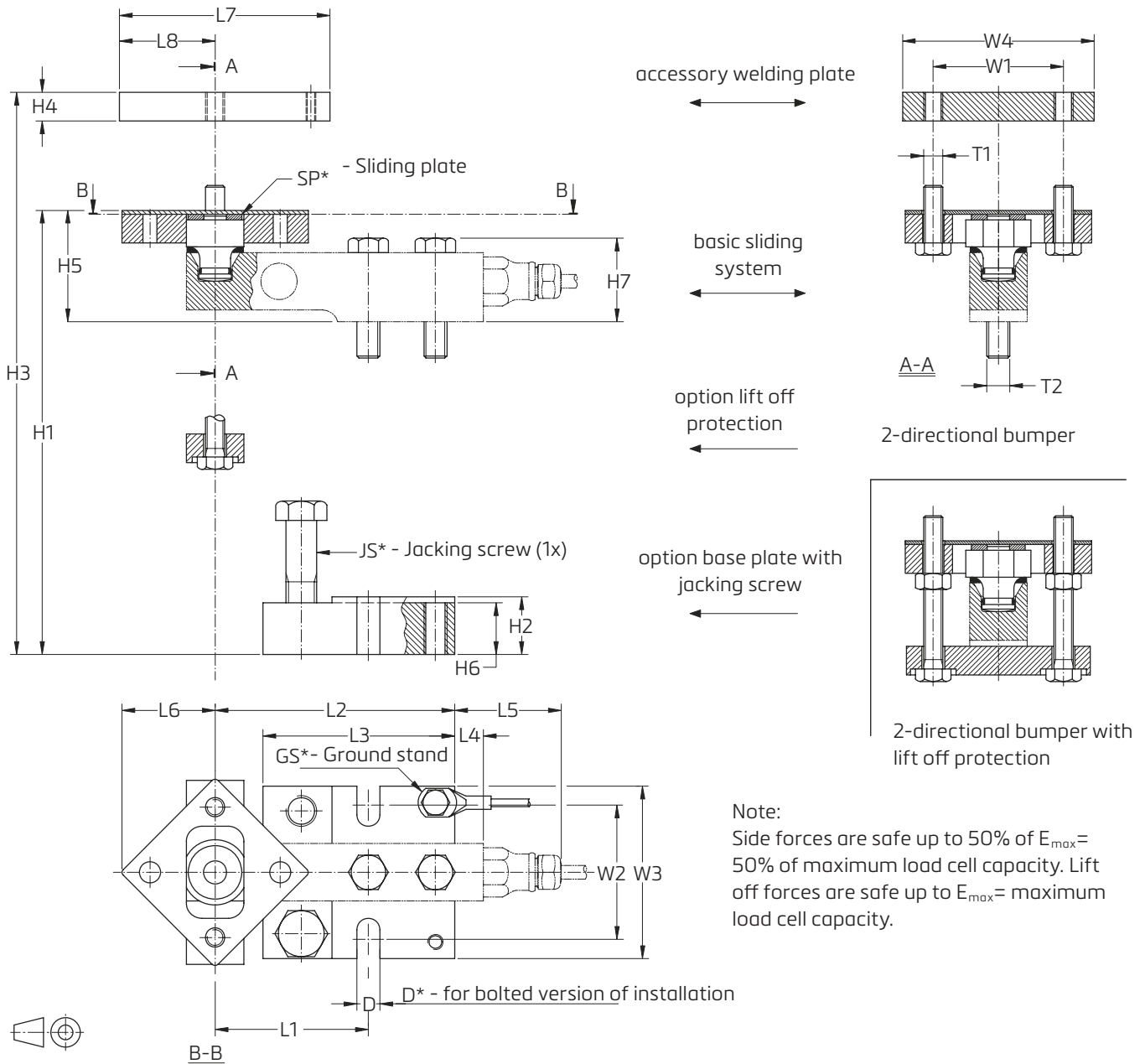
Assembly drawings with installation instructions and CAD files for customer's own application drawings are available on request.

52-13 Dimensions 3-directional bumper and free sliding units (mm)



Load cell type	H1	H2	H3	H4	H5	H6	H7	L1	L2	L3	L4	L5	L6	L7	L8	W1	W2	W3	W4	W5	D	T1	T2
SB4/SB5-5/10/20 kN	75	30	90	15	48	27	44	80	125	100	15	56	85	25	67	68	70	90	100	48	13	M10	M12
SB4/SB5-50 kN	110	50	130	20	65	45	62	105	160	130	9	50	110	30	103	94	100	120	140	58	16	M16	M20
SB4/SB5-100 kN	135	50	160	25	90	45	88	135	205	160	10	51	135	35	132	120	130	150	180	68	20	M20	M24
SB6-0.2/0.5/1/2 kN	78	40	90	12	42	36	30	55	115	95	5	46	70	20	?	54	60	80	80	38	8	M6	M8
SB14-0.5/1/2.5/5 klb	75	35	90	15	43	32	39	80	125	100	-	37	85	25	65	68	70	90	100	48	13	M10	M12
SLB-0.2/0.5/1/2.5/5 klb	74	35	89	15	42	32	38	80	125	100	-	17	85	25	65	68	70	90	100	48	13	M10	M12

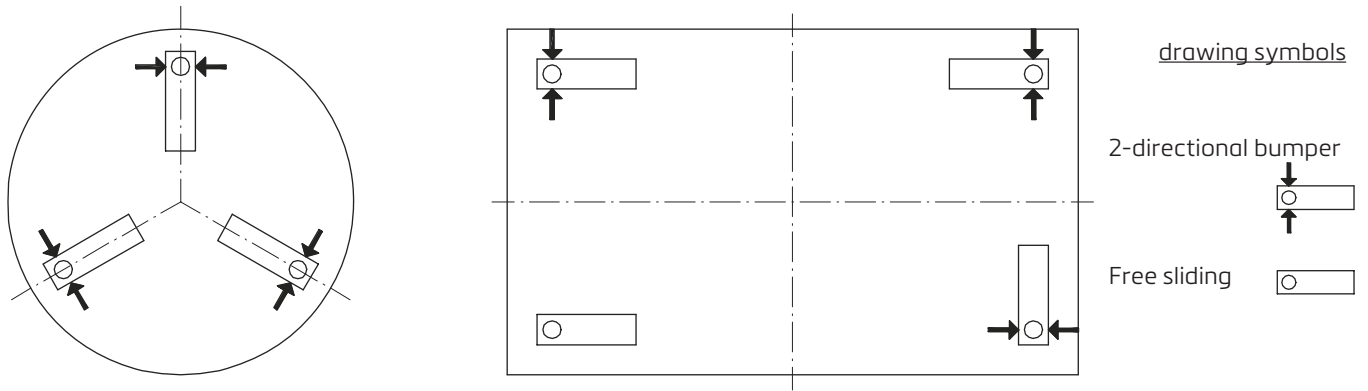
## 52-13T Sliding Systems (allows tangential mounting) (mm)



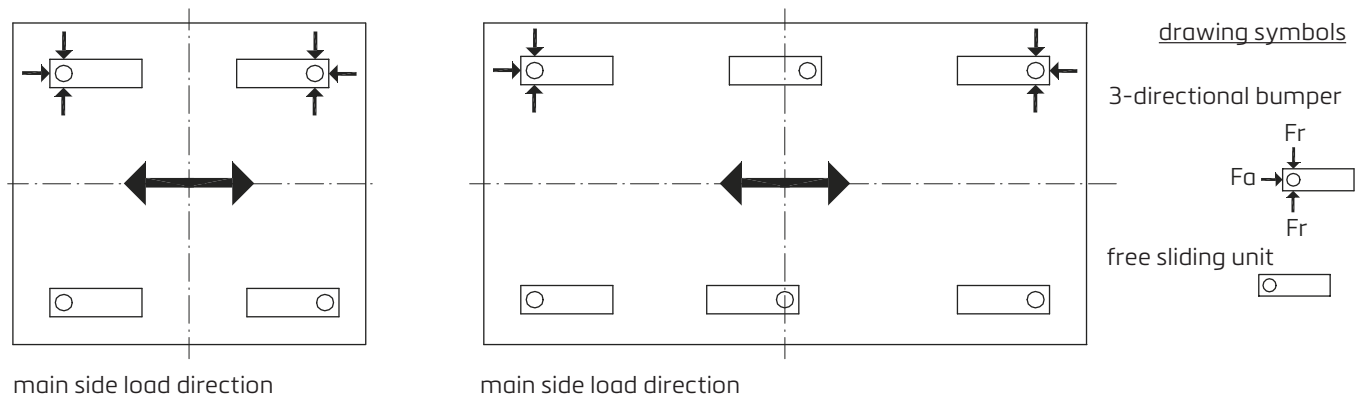
Load cell type	H1	H2	H3	H4	H5	H6	H7	L1	L2	L3	L4	L5	L6	L7	L8	W1	W2	W3	W4	D	T1	T2
SB4/SB5-5/10/20 kN	85	30	100	15	58	27	44	80	125	100	15	56	49	110	50	68	70	90	100	13	M10	M12
SB4/SB5-50 kN	125	50	150	25	80	45	62	105	160	130	9	50	75	150	75	94	100	120	150	16	M16	M20
SB4/SB5-100 kN	155	50	180	25	110	45	88	135	205	160	10	51	90	180	90	120	130	150	180	20	M20	M24
SB14-0.5/1/2.5/5 klb	85	35	100	15	53	32	39	80	125	100	-	37	49	110	50	68	70	90	100	13	M10	M12
SLB-0.2/0.5/1/2.5/5 klb	84	35	99	15	52	32	38	80	125	100	-	17	49	110	50	68	70	90	100	13	M10	M12

Remark: Not compatible with 52-13.

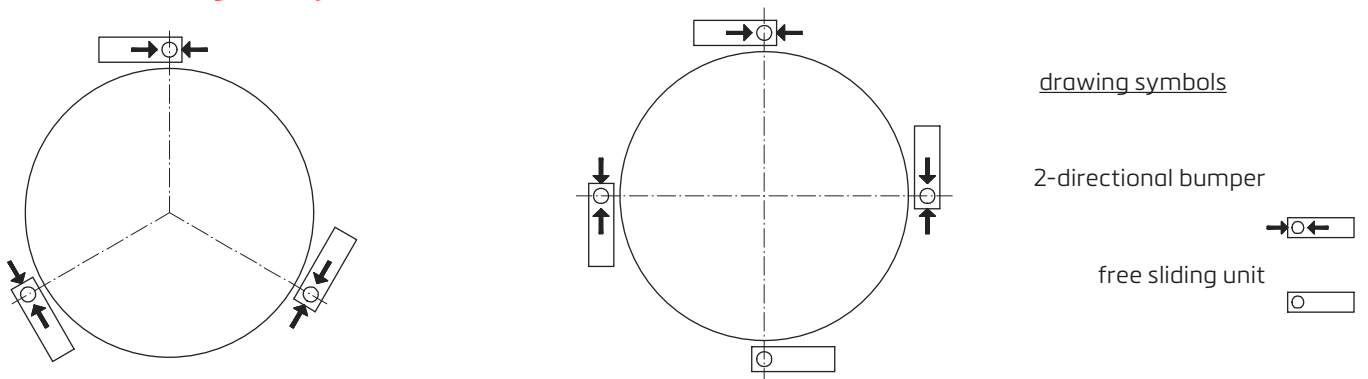
### orientation of 2-directional bumper and free sliding units



### orientation of 3-directional bumper and free sliding units



### tanks with tangentially mounted load cells



Specifications and dimensions are subject to change without notice.