

FT-30M weighing indicator



product description

The FT-30M is a modular onboard vehicle weight indicator.

It features a clear and easy to read full colour LED touch-screen display and M12 (A coded) electrical connections. It is directed to all road going vehicles, agricultural machines and other forms of static and mobile mechanical handling machinery.

The simple-to-use weight indicator gives operators the power to control payloads, maximise profits and avoid dangerous overloads. Alarms alert users to upcoming and present overloads. Simple on-screen menus allow drivers to choose between net, gross, percent, collected or delivered weights. A passcode protects essential settings.

It's compatible with a range of accessory devices for maximum vehicle utilisation and payload efficiency. On screen calibration makes set-up simple.

applications

On-board vehicle weighing – tipper trucks and tipping trailers, bulk tanker vehicles, agricultural trailers, waste collection vehicles and general agricultural machinery.

accessories

A range of optional accessories are available. See page 3 for more details.

key features

- Two overload alarm set-points
- On-screen customer identification
- Record collected or delivered loads
- Print bin weights with time & date
- Retrofits existing installation
- Type approved to UNECE regulation 10.05 by VCA
- Six languages available
- Kg or Lbs
- Anti-tamper passcode protection
- On-screen troubleshoot diagnostics
- Multi-point linearisation
- Digital filters



specifications

Accuracy	Dual channel 24-bit delta-sigma ADC.
Display	RGB colour 480 x 169 dots
Screen viewing dimensions	35mm x 95mm

calibration and functions

Configuration modes	Single, dual, twin, pick-up and deliver, totalising, flow meter
Pass-code	Essential settings pass-code protected. User configurable
Tare	Tare weight 0-99,999
Zero calibration	Zero calibration is performed with zero load
Net payload calibration	Net payload calibration is performed with a weigh-bridge or static weights
Weighing functions	Tare, Net, Gross, Load, Site loads, Percentage
Internal storage	65 Mb of internal storage capacity for 1,000,000 weight records
Brightness	User adjustable, high, medium or low
Languages	En, De, Fr, Es, It, Pt
Count-by	1,10, 20, 50, 100, 200
Units	Kg or Lbs
Date format	User selectable
Time zone	All time zones
Diagnostics	mV and ADC counts for both channels
Updates	Operation system software, customer names, print ticket with a USB memory stick

interface

Load cell input	Two 4 wire channels. Input 8 load cells per channel. Pin 1 +Ex, Pin 2 + Sig, Pin 3 -Ex, Pin 4 -Sig. Signal input +/-19.0625mV max. Sample Rate 10SPS. (single channel operation). Resolution (ENOB) 21.1. Noise Free Bits bits = (18.4 bits). Excitation +4.8V DC.
RS232 Serial	Baud rate fixed at 9,600, n, 8,1. Connector 9-way D connector. Options Printer or Format protocol. Pin 1 Tx Transmit, Pin 3 Rx Receive, Pin 5 GND 0 Volts ground, Pin 9 12 volts.
RS485	Half duplex, to connect to EM100 modules, remote button or inclinometer.
USB	USB2 Max current 0.5A.
Alarms	Amber alarm (alarm 1) switched vehicle voltage when the alarm is on and triggered. Red alarm (alarm 2) switched vehicle voltage when alarm is on and triggered.

environment & enclosure

Enclosure	Housing material ABS.
Weight	400g
Temperature rating	-20°C to +50°C
Environmental	IP30

power

Voltage	Input 9V to 32V DC. Pin 1 vehicle volts, Pin 2 Amber alarm (9-32V), Pin 3 Ground (0V), Pin 4 Red alarm 2 (9-32V).
Consumption	100mA at 24V DC + external loads. Maximum input current 4A.

testing

EMC classification	UNECE regulation 10.05. Approval number E11 10R-069362.
Environmental	Undergone extensive vibration, temperature and humidity testing.

mounting options

Radio DIN slot - For fitting to a spare radio slot

Dash Mount - Swivel RAM-mount bracket - 1/4 -20 UNC camera thread

Enclosure/Panel - IP68 flange mounted polycarbonate enclosure with hinged clear lid and metal lockable latch

*mounting options are ordered separately

accessories

External alarm sounder - IP68 fixed or multi-tone sounder

Flashing beacon - IP68 LED amber beacon

Printer - Thermal printer powered VIA the RS232 9-pin 2m connector-cable

Junction box - 2, 4 or 6-point summing box

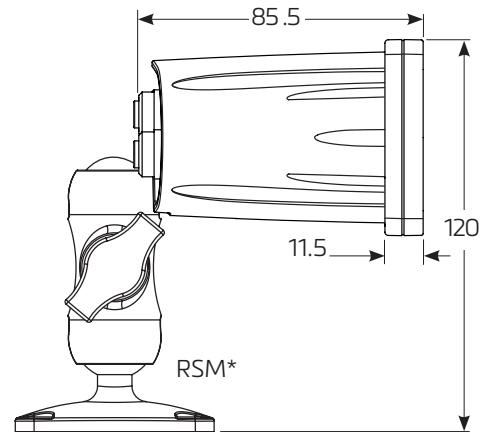
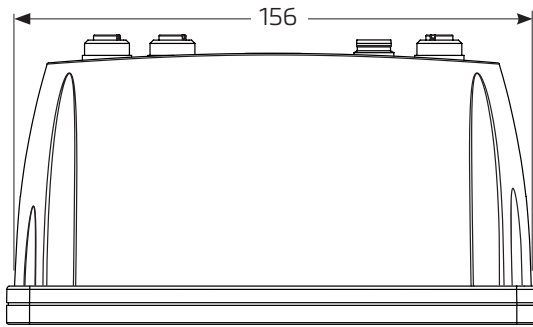
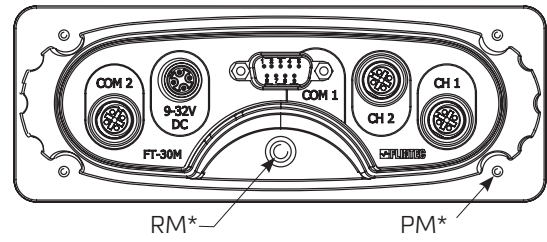
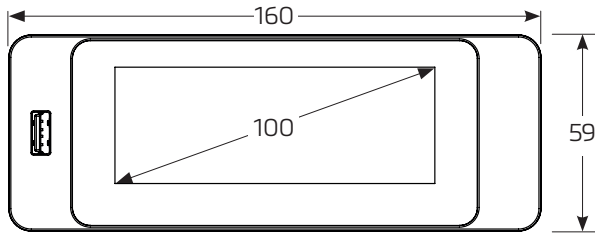
Cabling - Selection of M12 cables and accessories

Remote button

RS485 inclinometer

*accessory devices are ordered separately

product dimensions (mm)



connections



- | | |
|---|--|
| 1. Input Channel ONE, Max +/-19.0625 millivolts. | 5. COM port 2 RS485 port for EM100. |
| 2. Input Channel TWO, Max +/-19.0625 millivolts. | 6. Panel mount and radio DIN fixing screws M3. |
| 3. COM port 1 RS232 port for printers. | 7. 1/4" - 20 UNC camera mount for RAM-Mount 1" ball. |
| 4. Power Input 9-32 Volts DC & 2 Alarm power outputs. | 8. DIN radio mount ear brackets - two required. |

Dimensions and specifications are subject to change without notice.