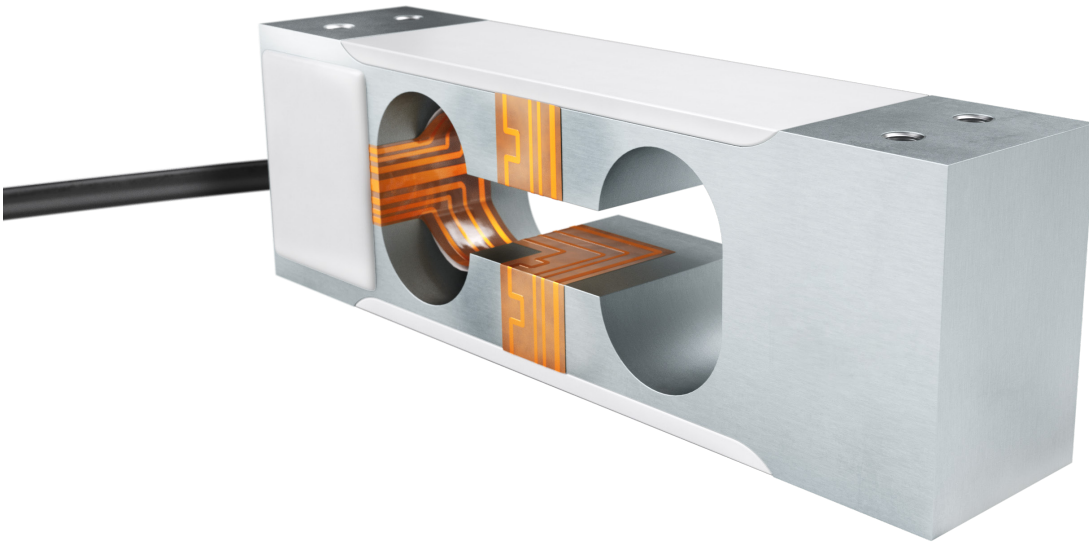


PA2 miniature single-point load cell



product description

The PA2 is a series of low capacity, aluminium single-point load cells intended for a wide range of industrial applications.

Due to the compact design, the PA2 can be integrated into low-capacity weighing machinery, medical devices and general machinery for process automation and control.

The PA2 has a range of capacities, extending from 1kg to 5kg. It features full-bridge, bonded-foil strain gauge technology, which offers excellent long-term stability.

applications

General test and measurement and machine monitoring and control. Ideal for small scales, packaging and assembly machinery or end-of-line test equipment.

accessories

A comprehensive range of electronic modules and accessories available

key features

Very low capacity single point from 1kg to 5kg

Slim and compact design

High-performance longevity

Built from high-grade aluminium

Environmental protection to IP66

options

Range of cable lengths

Flying leads or cable connectors



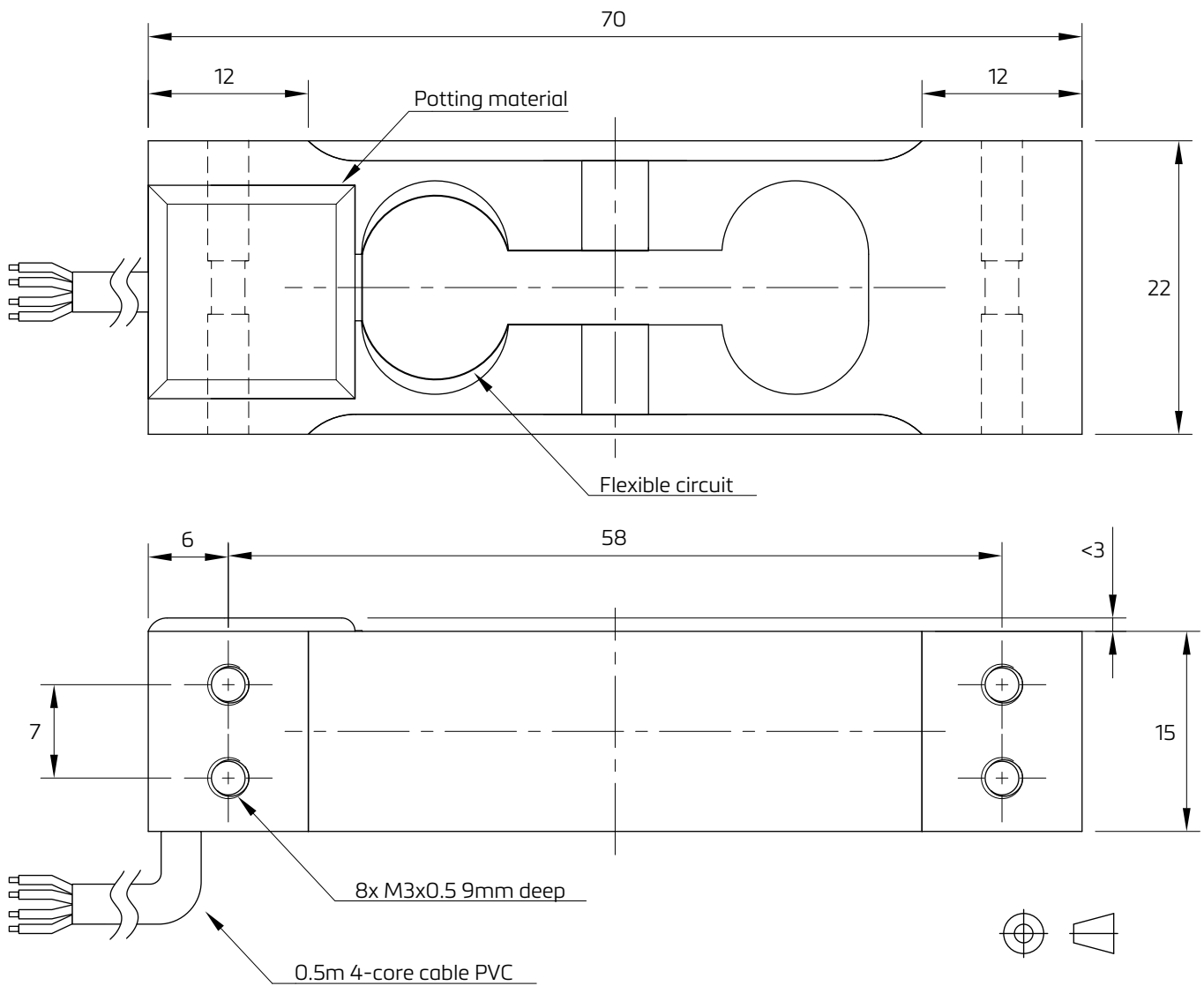
RoHS
compliant



specifications

Maximum capacity E_{max}	kg	1, 2	3, 5
Accuracy class	-	GP	
Temperature effect on minimum dead load output TC_0	%*RO/10°C	N/A	±0.1
Rated output RO	mV/V	2 ± 0.2	
Zero balace	mV/V	±0.1	
Temperature effect on sensitivity TC_{RO}	%*RO/10°C	±0.0300	
Non-linearity	%*RO	±0.0400	±0.0166
Hysteresis error	%*RO	±0.0400	±0.0166
Creep error (5 mins)	%*RO	±0.0600	
Combined error	%*RO	±0.0500	±0.0200
Excitation voltage	V	5...15	
Input resistance	Ω	403±20	
Output resistance	Ω	330±25	
Insulation resistance (100V DC)	MΩ	≥ 5,000	
Off center load error (According to OIML test method)	%RO	0.0400	
Max platform size	mm	200 x 200	
Maximum off center distance at maximim capacity	mm	100	
Safe load limit	%* E_{max}	150	
Ultimate load limit	%* E_{max}	300	
Safe side load	%* E_{max}	100	
Compensated temperature range	°C	-10...+40	
Operating temperature range	°C	-20...+65	
Load cell material	-	Aluminium	
Sealing	-	Potted	
Protection	-	IP66	
Recommended torque (M3 8.8)	Nm	1.3	

product dimensions (mm)

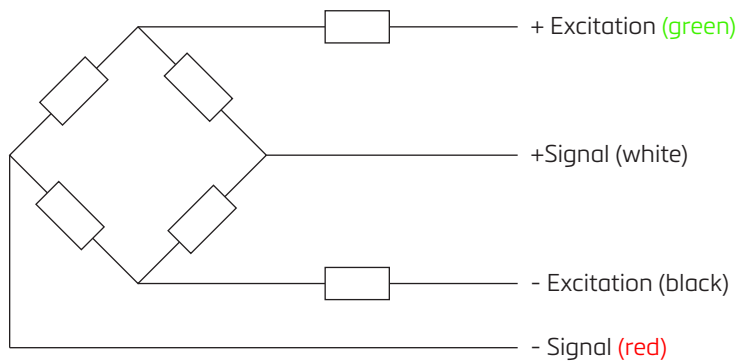


wiring

The sensor is provided with a 28AWG 4-conductor cable

Standard cable jacket: PVC

Standard cable length: 0.5m



Specifications and dimensions are subject to change without notice.