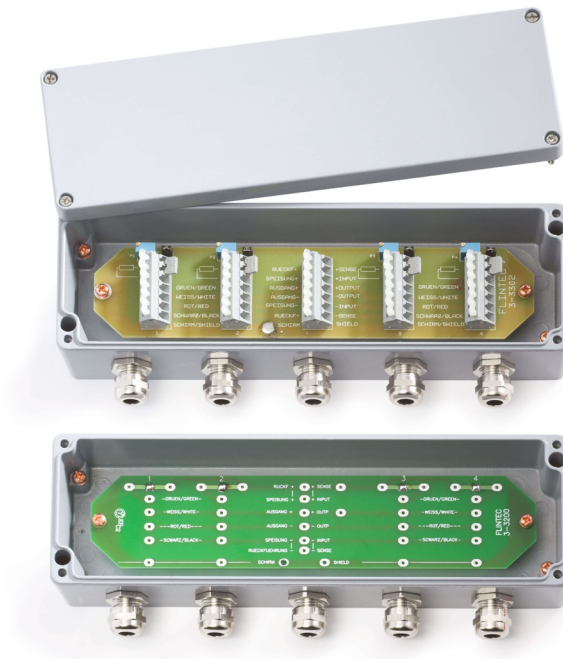


KA-KAK junction boxes



product description

This family of painted aluminium junction boxes consist of 3 versions:

Junction box KA-4 is designed to connect 3 or 4 load cells in parallel. The cable connections are done by soldering, the corner trimming is done by resistors.

Junction box KA-6 is an extended version of KA-4 which can accommodate up to 6 load cell connections in parallel. It uses the same housing, but has a different printed circuit board and 2 more cable glands.

The type KAK-4 junction box is designed to connect 3 or 4 load cells in parallel. The cable connections are done with clamping terminals and the corner trimming by resistors and/or potentiometer.

One gland is sealed as indicated in the drawings. The junction boxes can be connected with a shielded 6-wire cable to the instrumentation

applications

Universal applications in weighing machinery, process weighing, test & measurement and process automation and control sectors.

key features

Painted aluminium construction

Environmental protection rated to IP66

3, 4 or 6 load cell connection

Connection for up to 4 load cells (KA-4, KAK-4) and 6 load cells (KA-6)

Cable connection with clamping terminals (KAK-4 only) respective by soldering (KA-4 and KA-6 only)

Compatible with 4 or 6 wire devices

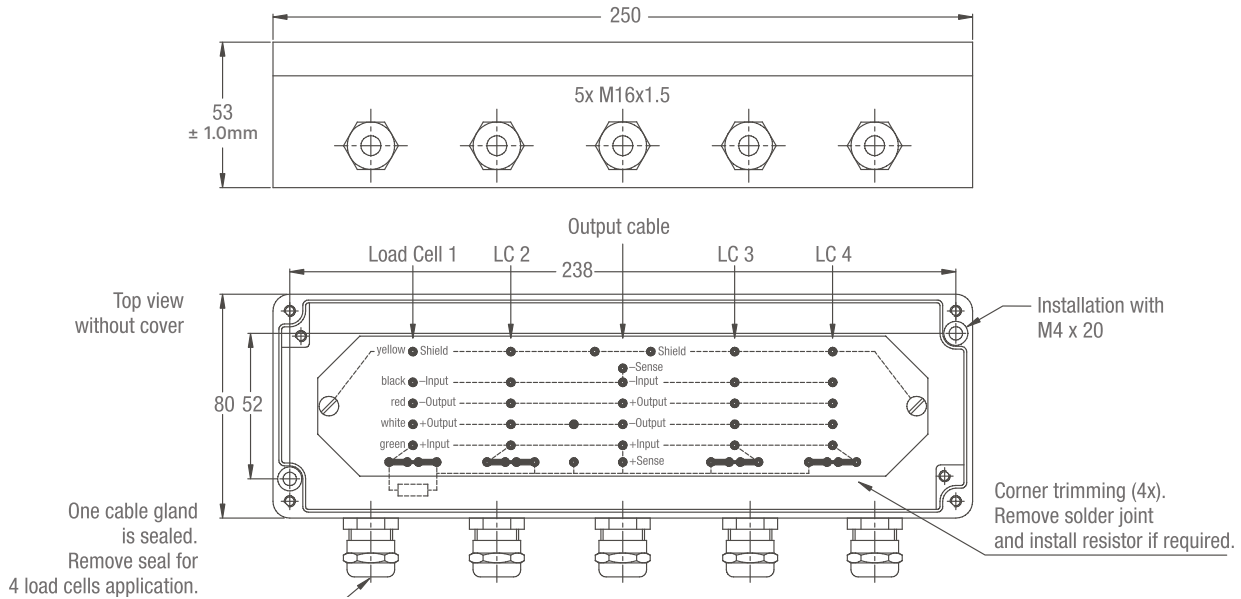
Maximum cable diameter of 9mm



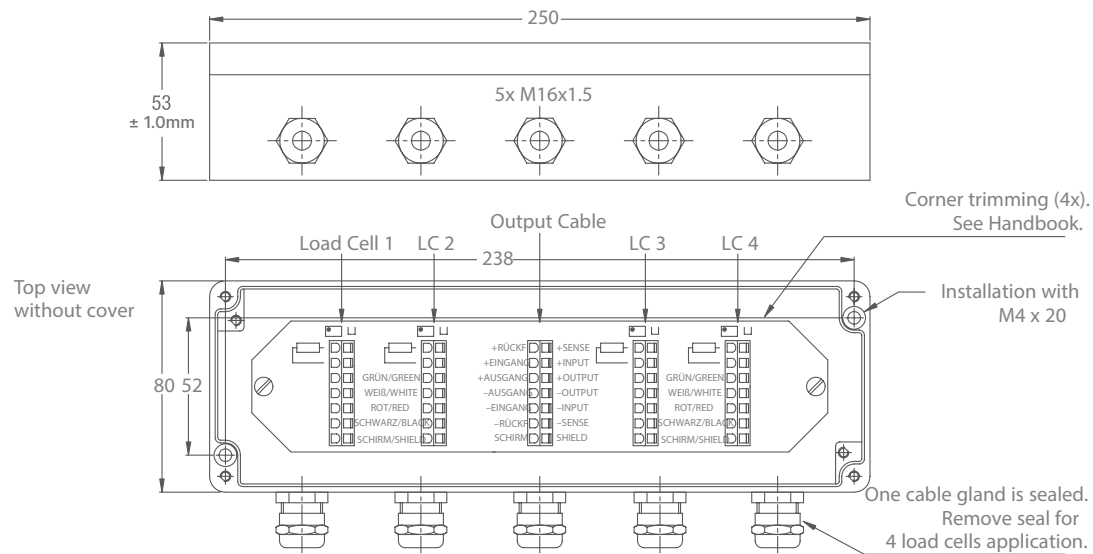
RoHS
compliant



KA-4 product dimensions (mm)



KAK-4 product dimensions (mm)



Notes

Cable gland M16x1.5 for cable diameter 5...9 mm.

Dimensions and specifications are subject to change without notice.