

UT4 load cell



product description

A low-profile, tension and compression load cell designed for use in medical devices and other industrial applications where vertical space is limited.

The UT4 is available in four capacities, ranging from 200lb to 1,000lb, and boasts accuracies of 0.05%. All models feature protective side plates, robust construction and environmental protection to IP65. Mounting is achieved via the centrally-aligned mounting holes. Threaded to UNF standards.

When choosing Flintec, you ensure consistently high-quality products, competitive pricing, reliable support, a wealth of accessories and a supplier that can scale output to match your needs.

applications

Medical devices, energy & power and other general-purpose industrial applications.

options + accessories

Range of cable lengths

Flying leads or cable connectors

A comprehensive range of electronic accessories available

key features

Capacities from 200lb to 1,000lb

Accurate to 0.05% (non-linearity)

Low-profile design

Built from high-grade stainless-steel

Environmental protection to IP65

Central axis mounting holes

Protective side plates

Shielded cable



RoHS
compliant



specifications

Maximum Capacity (E_{max})	lb	200	300	500	1,000
Rated Output (RO)	mV/V	2.0 ±10%			
Accuracy class according to OIML R50	-	GP		GP	
Non-linearity	% RO	≤ ±0.050		≤ ±0.100	
Hysteresis	% RO	≤ ±0.050		≤ ±0.100	
Combined error	% RO	≤ ±0.100		≤ ±0.200	
Creep error (30 minutes)	%RO	≤ ±0.060		≤ ±0.060	
Temperature effect on output	%RO / 10 °C	≤ ±0.040		≤ ±0.040	
Temperature effect on sensitivity	%RO / 10 °C	≤ ±0.028		≤ ±0.028	
Excitation voltage	V	5...15			
Zero balance	% RO	≤ ±5			
Input resistance	Ω	385 ±5			
Output resistance	Ω	350 ±5			
Insulation resistance (100V DC)	MΩ	≥ 5,000			
Compensated Temperature range	°C	-10...+40			
Safe load limit	% E_{max}	200			
Ultimate load	% E_{max}	300			
Protection according to DIN 40.050/ EN60.529	-	IP65			
Load cell material	-	Stainless steel 17-4PH			

wiring

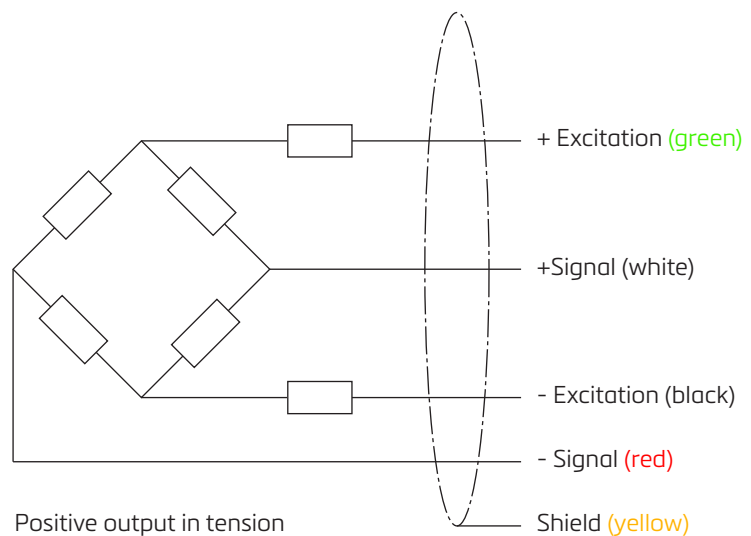
28 AWG, 4-conductor braided
cable

1.5m default length

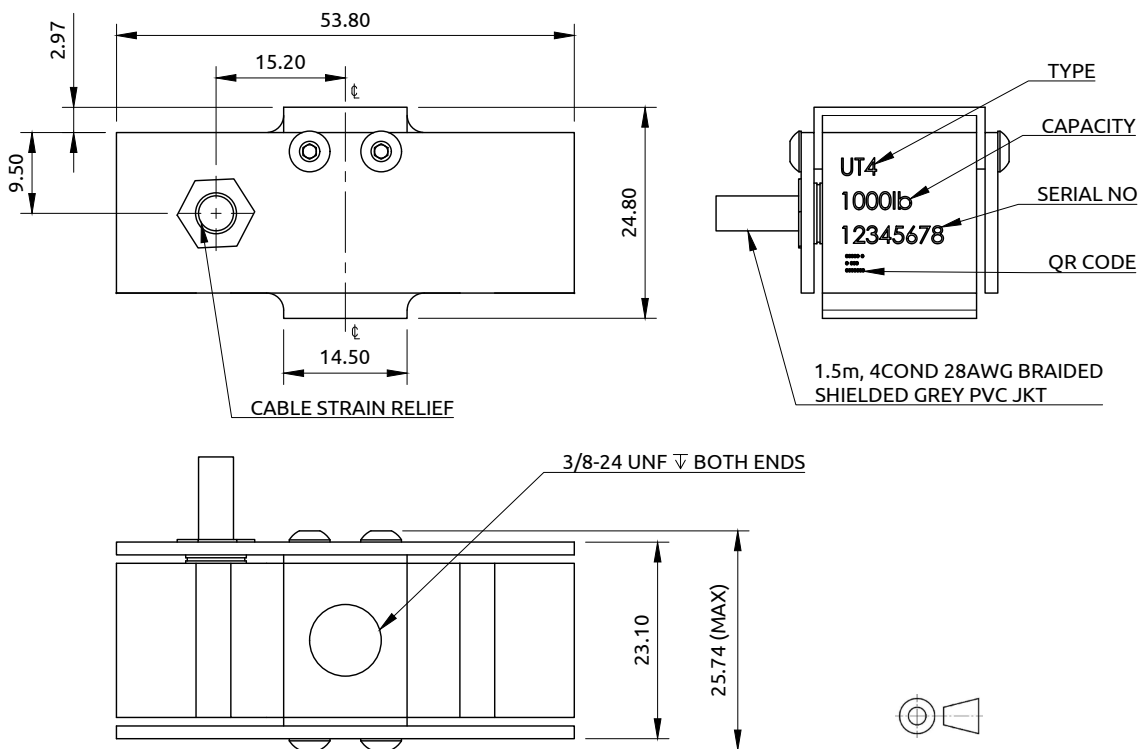
Shielded cable

Grey colour

PVC jacket material



product dimensions (mm)



Specifications and dimensions are subject to change without notice.