

SSB5 beam load cell



product description

The Flintec SSB5 is a high-precision shear beam load cell designed for industrial, agricultural and on-board weighing applications. It provides accurate and repeatable measurement performance with a side-mounted, horizontal loading configuration for versatile installation.

Manufactured from stainless steel (17-4PH) and hermetically sealed to IP68, the SSB5 delivers long-term stability and protection against moisture, dust and corrosive environments. With a rated capacity of 8t, it is ideal for use in hoppers, tanks, and dosing or mixing systems where reliability and precision are critical.

applications

Hopper, tank and small platform weighing

Dosing and batching equipment

Agricultural mixing and feeding systems

On-board and mobile weighing installations

Industrial process control and automation

key features

Maximum capacity: 8t

Compact stainless-steel (17-4PH) construction

Horizontal (side) mounting hole for versatile installation

Hermetically sealed to IP68

options

Free cables or M12 connector

accessories

Compatible range of electronics

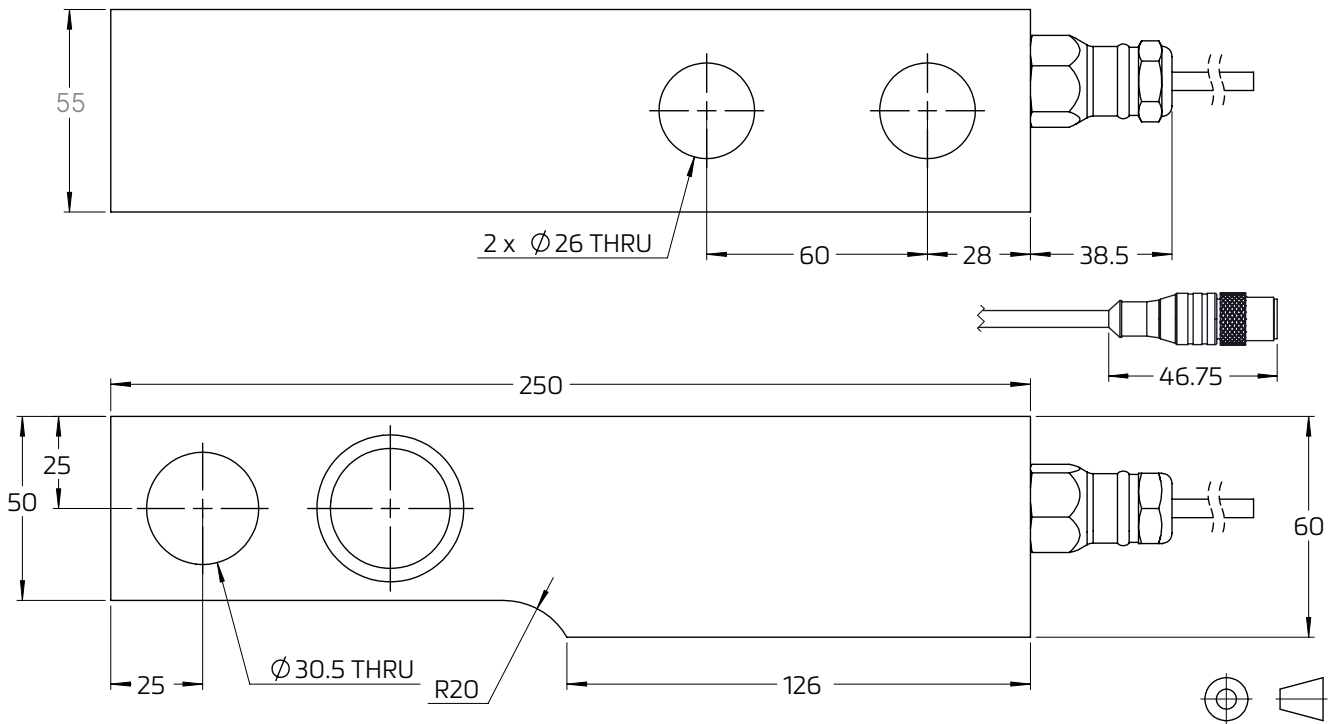


specifications

Maximum capacity (E_{max})	kg	8,000
Rated Output (RO)	mV/V	1.3 ±0.1%
Accuracy class	-	GP
Non linearity	%*RO	± 0.1
Combined error	%*RO	± 0.1
Creep error (30 minutes) / DR	%*RO	± 0.1
Temperature effect on minimum dead load output (TC_0)	%*RO/10°C	± 0.04
Temperature effect on sensitivity (TC_{RO})	%*RO/10°C	± 0.02
Excitation voltage	V	5...15
Zero balance	%*RO	± 5
Input resistance (R_{LC})	Ω	387 ± 20
Output resistance (R_{out})	Ω	351 ± 1
Insulation resistance (100 V DC)	MΩ	5,000
Compensated temperature range	°C	-10...+40
Operating temperature range	°C	-30...+60
Safe load limit (E_{lim})	%* E_{max}	200
Ultimate load	%* E_{max}	300
Sealing	-	complete hermetic sealing
Load cell material		stainless steel 17-4PH
Protection according EN 60 529	-	IP68 (up to 2m water depth) / IP69K
Load cell weight	kg	5
Surface finish	-	Electro-polished

All values are nominal and subject to manufacturing tolerances. Specifications may change without notice.

product dimensions (mm)



Mounting Bolts: M24, grade 10.9 or higher, tightened to 800 Nm torque.
Torque values assume oiled thread.

wiring

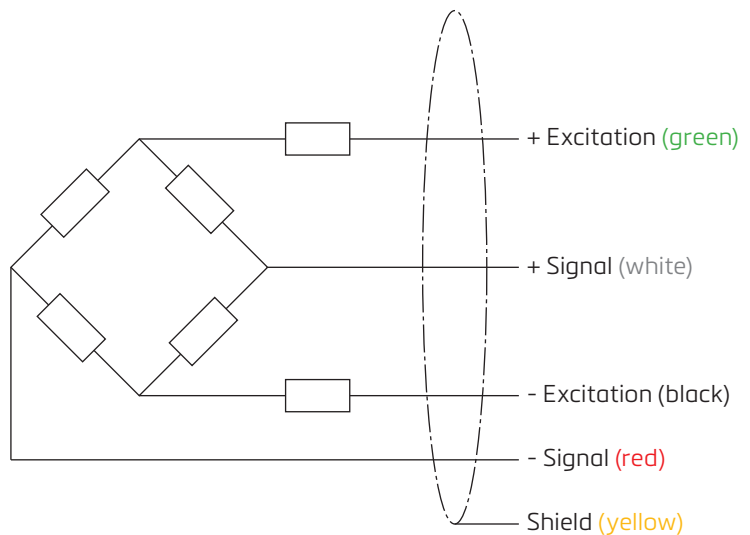
The load cell is provided with a 4-core, 24-AWG cable.

Cable jacket: polyurethane

Cable length: 5.0 m

Cable diameter: 5.5 mm

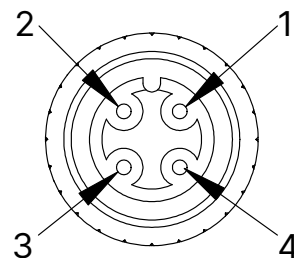
Optional: M12 connector



Optional: M12 male connector

The load cell is available with an M12 male connector for quick and secure installation in compatible systems. Pin assignments are shown to the right.

pin colour	function
1. brown	+ Excitation
2. white	+ Signal
3. blue	- Excitation
4. black	- Signal



Specifications and dimensions are subject to change without notice