

SSB7 beam load cell



product description

The Flintec SSB7 is a high-precision chassis-mounted beam load cell engineered for on-board vehicle weighing. Designed for legal-for-trade applications, it delivers certified weight data with exceptional accuracy and reliability.

Constructed from stainless steel (17-4PH) with an electro-polished finish, the SSB7 is built to withstand harsh road conditions. Its IP68 rating ensures superior protection against moisture, road salt, and contaminants, making it highly durable in demanding environments.

With OIML C3 approval, the SSB7 meets global trade accuracy standards, making it an ideal choice for biomass fuel trucks, waste collection vehicles, and fleet management systems that demand precision, compliance, and durability.

applications

On-board vehicle weighing (underbody chassis installations)

Carbon-neutral biomass fuel delivery (certified weight-based payments)

Commercial waste collection vehicles (pay-by-weight services)

Fleet management systems requiring real-time load monitoring

Agricultural trailers weighing systems

key features

Capacities of 8t and 12t

Stainless steel (17-4PH) construction

OIML C3 legal-for-trade approval

Hermetically sealed to IP68

options

Free cables or M12 connector

accessories

Compatible range of electronics

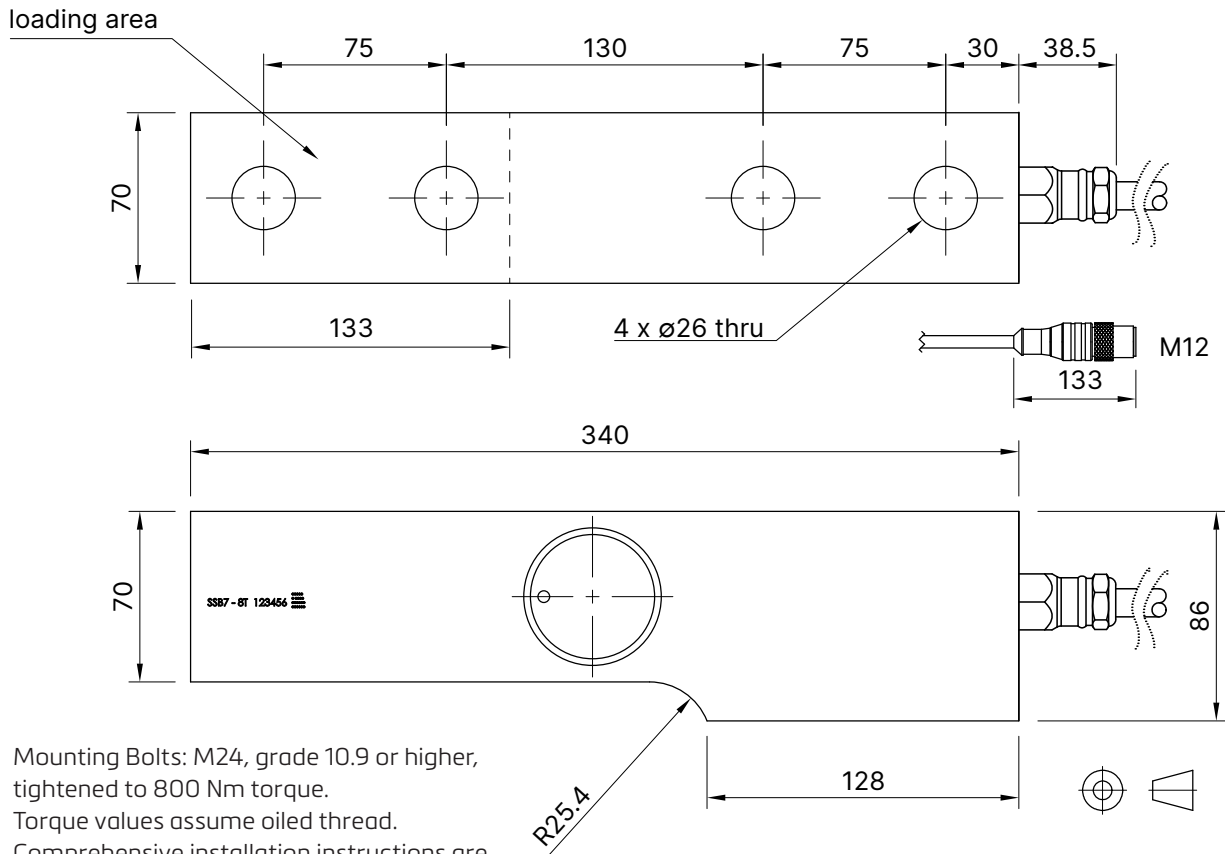


specifications

Maximum capacity (E_{max})	kg	8,000	12,000	8,000	12,000
Rated Output (RO)	mV/V	1.3 ±0.1%	2.0 ±0.1%	1.3 ±0.1%	2.0 ±0.1%
Accuracy class (according to OIML R60)	-	(GP)		C3	
Maximum number of verification intervals (n_{max})	-	n.a.		3,000	
Minimum load cell verification interval (v_{min})	-	n.a.		$E_{max} / 10,000$	
Non linearity	%*RO	±0.04		± 0.020	
Combined error	%*RO	±0.05		± 0.020	
Creep error (30 minutes) / DR	%*RO	±0.06		± 0.016	
Temperature effect on minimum dead load output (TC_0)	%*RO/10°C	±0.04		± 0.0140	
Temperature effect on sensitivity (TC_{RO})	%*RO/10°C	±0.02		± 0.0100	
Excitation voltage	V	5...15			
Zero balance	%*RO	0 ± 5			
Input resistance (R_{LC})	Ω	387 ± 20			
Output resistance (R_{out})	Ω	351 ± 1			
Insulation resistance (100 V DC)	MΩ	5,000			
Compensated temperature range	°C	-10...+40			
Operating temperature range	°C	-30...+60			
Safe load limit (E_{lim})	%* E_{max}	200			
Ultimate load	%* E_{max}	300			
Sealing	-	complete hermetic sealing			
Load cell material		stainless steel 17-4PH			
Protection according EN 60 529	-	IP68 (up to 2m water depth) / IP69K			
Load cell weight	kg	12			
Surface finish	-	Electro-polished			

All values are nominal and subject to manufacturing tolerances. Specifications may change without notice.

product dimensions (mm)



wiring

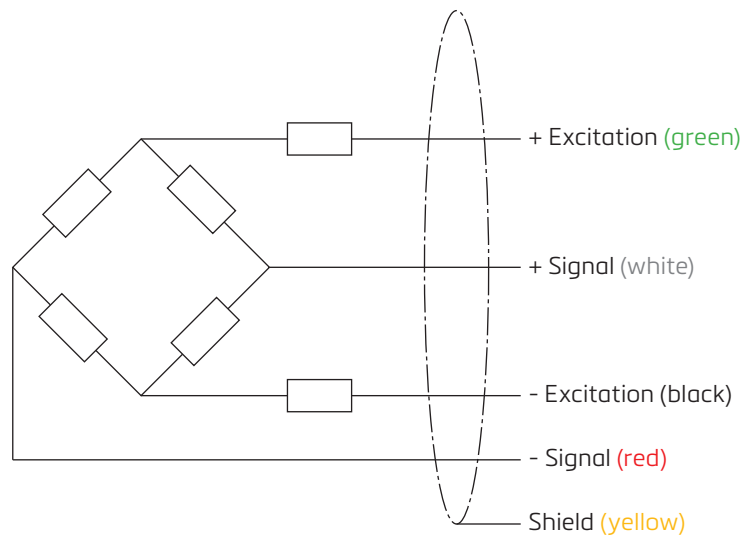
The load cell is provided with a 4-core, 24-AWG cable.

Cable jacket: polyurethane

Cable length: 5.0 m

Cable diameter: 5 mm

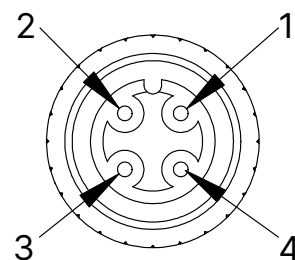
Optional: M12 connector (see end of datasheet)



Optional: M12 male connector

The load cell is available with an M12 male connector for quick and secure installation in compatible systems. Pin assignments are shown to the right.

pin colour	function
1. brown	+ Excitation
2. white	+ Signal
3. blue	- Excitation
4. black	- Signal



Specifications and dimensions are subject to change without notice