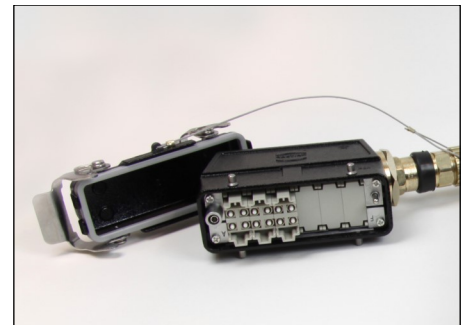


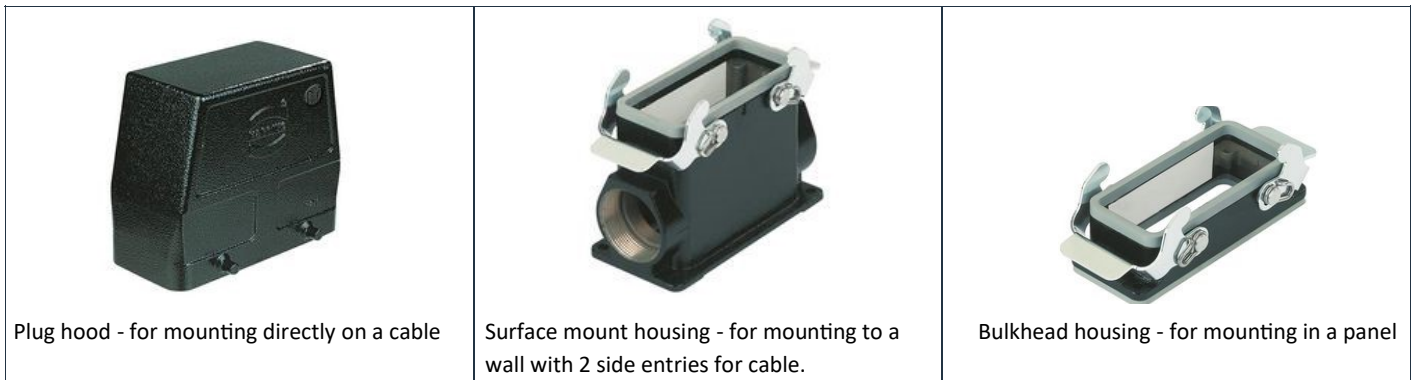
Harting - HAN® fibre connector

- Industrial connector for harsh environmental requirements.
- 2 lever locking system.
- 1 - 24 fibres in each connector.
- Single mode or multi mode.
- Cable delivered in customer specified lengths.
- For temporary and permanent connections.



Description

The Harting - HAN connector may be delivered in 3 basic forms:

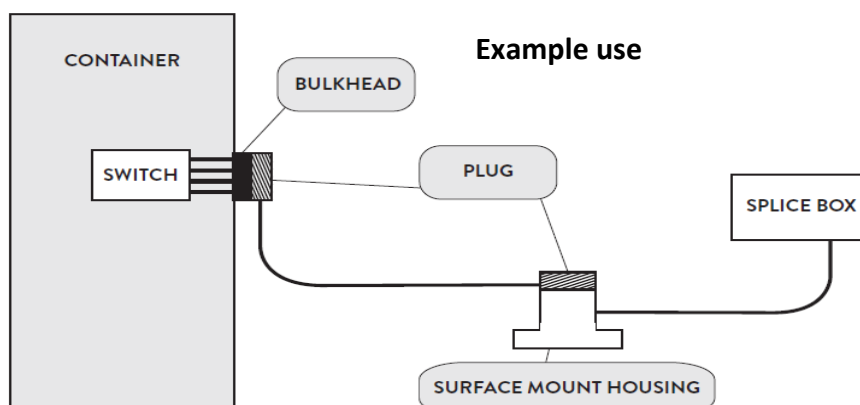


All 3 comes in a 12 or 24 fibre version and may be fitted with 1 to 12/24 fibres as needed.

The HAN plug connector and the surface mount connector includes a protective cover and may be ordered with a specified length of cable. You may have the HAN connector in one or both ends. If HAN is used only in one end the other end may be ordered with a specified length of break-out cable fitted with standard connectors (SC, LC, etc.).

The HAN bulkhead connector also includes a protective cover. This connector is typically ordered with patch cords with standard connectors (SC, LC, etc.) in the other end.


The bulkhead and the surface mount connector has an embedded adapter, making this the "female" part when connecting to the "male" plug connector.



Specifications

The HAN hood/housing comes in 3 qualities:

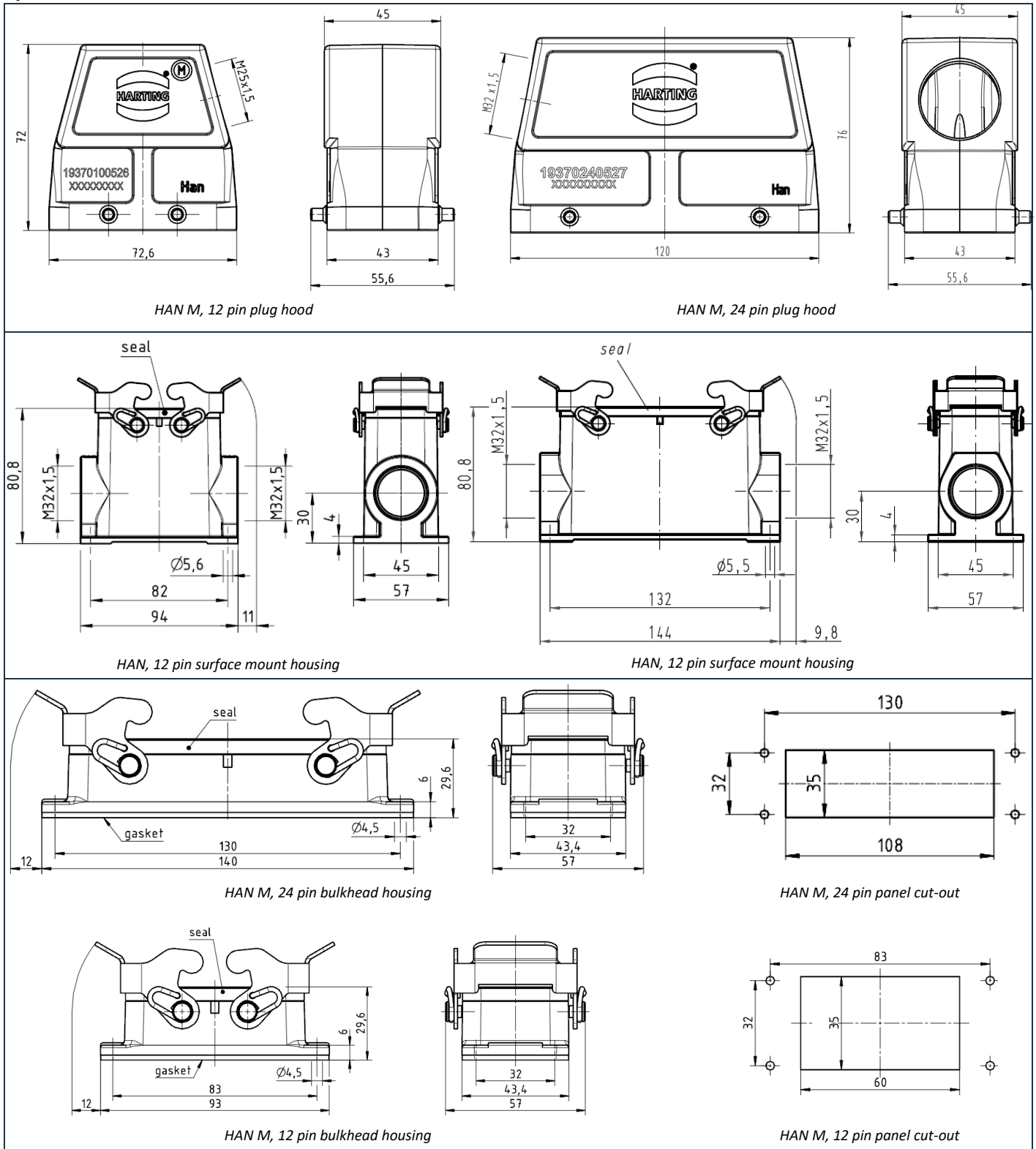
- **Standard hoods/housings:** for demanding environments, for example, in the automobile and mechanical engineering industries also for process and regulation control applications
- **M-series hoods/housings:** for harsh environmental requirements, for all applications where aggressive environmental conditions and harsh climatic atmospheres are encountered
- **HPR-series hoods/housings:** pressure tight, for external interconnections in vehicles, in highly demanding environments and wet areas, as well as for sensitive interconnections that have to be shielded

	HAN std. hood/housing	HAN M hood/housing	HAN HPR hood/housing
Material, locking element:	Polycarbonate	Stainless steel	Stainless steel
Material, seal:	NBR	FPM	NBR
Material, hood/housing:	aluminium die-cast	aluminium die-cast	aluminium die-cast
Surface, hood/housing:	powder-coated	Epoxy powder paint	Epoxy powder paint
Colour, hood/housing:	RAL 7037 (grey)	RAL 9005 (black)	RAL 9005 (black)
Locking type:	Double levers	Double levers	Screws, M6
Corrosion resistance:	-	ASTM B117-09 (500 h)	ASTM B117-09 (500 h)
Protection class acc. to UL 50	NEMA Typ 4/4X/12	NEMA Typ 4/4X/12	NEMA Typ 4/4X/12
Approval GL:	Yes	Yes	Yes
RoHS conformity:	Yes	Yes	Yes
Degree of protection:	IP65	IP65	IP65, IP68, IP69K
Operating temperature:	-40 °C to 60 °C	-40 °C to 60 °C	-40 °C to 60 °C
			

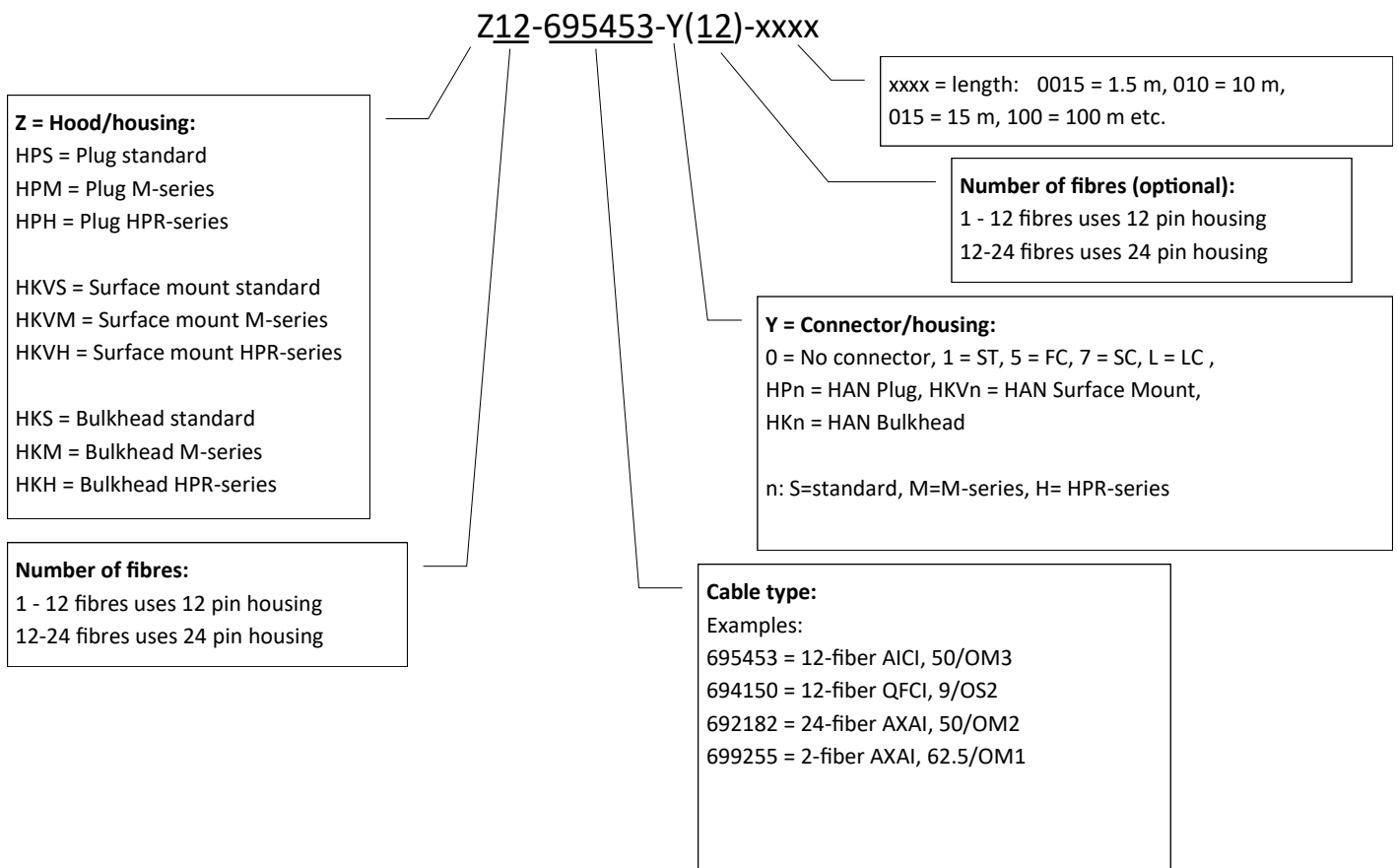
Fibre connector

Insertion loss:	< 0.5 dB at 1310/1550 nm (single mode) < 0.5 dB at 850/1300 nm (multi mode)
Return loss:	< -45 dB at 1310/1550 nm (single mode)

Specifications cont.



Article numbers



Example

Plug M-series

HPM8-694150-HPM8-010	8-fiber HAN Plug M - HAN Plug M, QFCI, 9/OS2, 10 m
HPM12-694150-HPM12-010	12-fiber HAN Plug M - HAN Plug M, QFCI, 9/OS2, 10 m

Surface mount standard

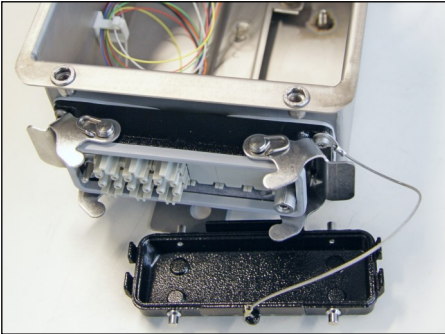
HKVS12-692150-0-002	12-fiber HAN Surface Mount Std , AXAI, 9/OS2, 2 m
HKVS24-692180-0-002	24-fiber HAN Surface Mount Std , AXAI, 9/OS2, 2 m

Bulkhead HPR-series

HKH4-2x699255-7-001	4-fiber HAN Bulkhead HPR - SC, AXAI, 62,5/OM1, 1 m
HKH8-4x699255-7-001	8-fiber HAN Bulkhead HPR - SC, AXAI, 62,5/OM1, 1 m

Other cable types or connectors may be delivered on request.

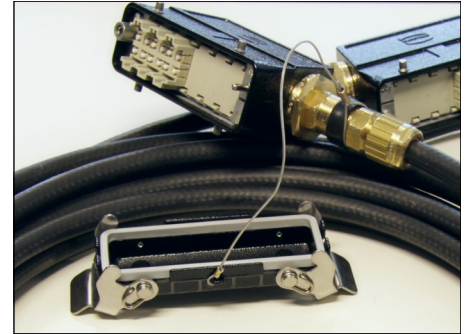
Gallery



Example use of HAN bulkhead connector and protective cover



HAN plug connector with ST in other end



HAN plug connector - close up



HAN plug connector with protective cover in use