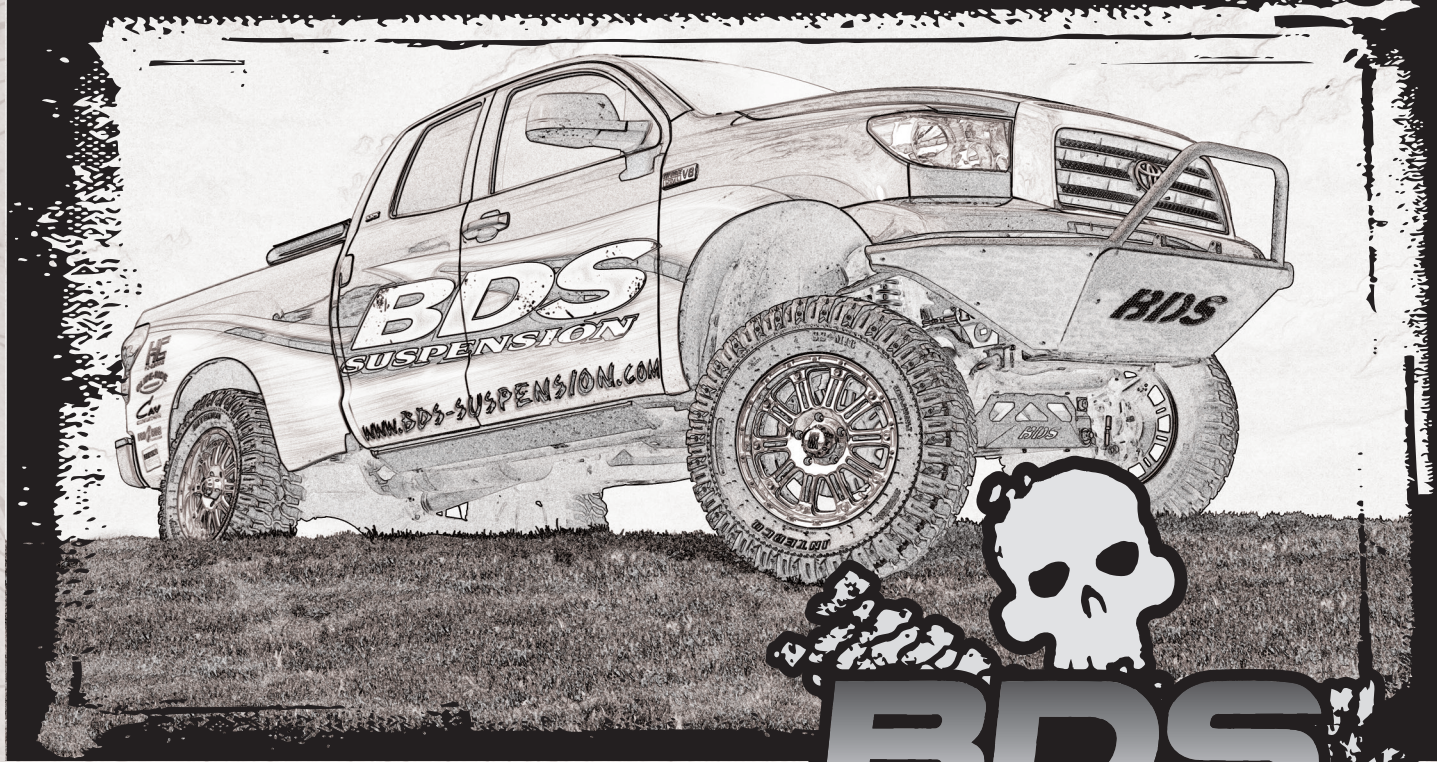


# INSTALLATION GUIDE



Part#: 128451 / 128700



**HARDCORE LIMITED LIFETIME WARRANTY**

## Coilover Kit

Toyota Tundra | 2007-2021

Rev. 090524

491 W. Garfield Ave., Coldwater, MI 49036 • Phone: 517-279-2135

Web/live chat: [www.bds-suspension.com](http://www.bds-suspension.com) • E-mail: [tech-bds@sporttruckusainc.com](mailto:tech-bds@sporttruckusainc.com)

# Read And Understand All Instructions And Warnings Prior To Installation Of System And Operation Of Vehicle.



## THANK YOU

Your truck is about to be fitted with the best suspension system on the market today. That means you will be driving the baddest looking truck in the neighborhood, and you'll have the warranty to ensure that it stays that way for years to come. Thank you for choosing BDS Suspension!

### BEFORE YOU START

BDS Suspension Co. recommends this system be installed by a professional technician. In addition to these instructions, professional knowledge of disassembly/ reassembly procedures and post installation checks must be known.

### FOR YOUR SAFETY

Certain BDS Suspension products are intended to improve off-road performance. Modifying your vehicle for off-road use may result in the vehicle handling differently than a factory equipped vehicle. Extreme care must be used to prevent loss of control or vehicle rollover. Failure to drive your modified vehicle safely may result in serious injury or death. BDS Suspension Co. does not recommend the combined use of suspension lifts, body lifts, or other lifting devices. You should never operate your modified vehicle under the influence of alcohol or drugs. Always drive your modified vehicle at reduced speeds to ensure your ability to control your vehicle under all driving conditions. Always wear your seat belt.

### BEFORE INSTALLATION

- Special literature required: OE Service Manual for model/year of vehicle. Refer to manual for proper disassembly/reassembly procedures of OE and related components.
- Adhere to recommendations when replacement fasteners, retainers and keepers are called out in the OE manual.
- Larger rim and tire combinations may increase leverage on suspension, steering, and related components. When selecting combinations larger than OE, consider the additional stress you could be inducing on the OE and related components.
- Post suspension system vehicles may experience drive line vibrations. Angles may require tuning, slider on shaft may require replacement, shafts may need to be lengthened or trued, and U-joints may need to be replaced.
- Secure and properly block vehicle prior to installation of BDS Suspension components. Always wear safety glasses when using power tools.
- If installation is to be performed without a hoist, BDS Suspension Co. recommends rear alterations first.
- Due to payload options and initial ride height variances, the amount of lift is a base figure. Final ride height dimensions may vary in accordance to original vehicle attitude. Always measure the attitude prior to beginning installation.



Visit [560plus.com](http://560plus.com) for more information.

### TIRES AND WHEELS

See BDS website for latest fitment  
7" kit: Up to 37x12.50x20 w/ 6.25" Backspace  
4.5 / 7" Kit: 35x12.50 w/ 18(20) w/ 5.5" Backspace



### BEFORE YOU DRIVE

Check all fasteners for proper torque. Check to ensure for adequate clearance between all rotating, mobile, fixed, and heated members. Verify clearance between exhaust and brake lines, fuel lines, fuel tank, floor boards and wiring harness. Check steering gear for clearance. Test and inspect brake system.

Perform steering sweep to ensure front brake hoses have adequate slack and do not contact any rotating, mobile or heated members. Inspect rear brake hoses at full extension for adequate slack. Failure to perform hose check/ replacement may result in component failure. Longer replacement hoses, if needed can be purchased from a local parts supplier.

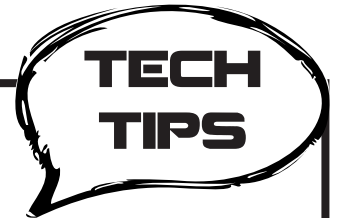
Perform head light check and adjustment.

Re-torque all fasteners after 500 miles. Always inspect fasteners and components during routine servicing.

# CONTENTS OF YOUR KIT

128451 Box Kit		
Part #	Qty	Description
02510	2	Sway Bar Relocation Brackets
44	2	Sway Bar Spacer Sleeve
982	1	Bolt Pack
	4	12mm-1.25 x 40mm Bolt
	4	7/16"-14 x 1-1/4" Bolt
	4	7/16" SAE Washer
	4	7/16"-14 Nylock Nut
	2	14mm-1.50 x 100mm Bolt
	2	1/2" USS Washer

128700 Box Kit		
Part #	Qty	Description
02509	1	Drivers side- Upper mount
02511	1	Pass side - Upper mount
02510	2	Sway Bar Offset Bracket
44	2	Spacer Sleeve
939	1	Bolt Pack
	8	3/8"-16 x 1-1/4" Bolt
	16	3/8" SAE Washer
	8	3/8"-16 Nylock Nut
	2	5/8"-11 x 7-1/2" Bolt
	4	5/8" SAE Thru-Hardened Washer
	2	5/8"-11 Prevailing Torque Nut
	4	12mm-1.25 x 40mm Bolt
	4	7/16"-14 x 1-1/4" Bolt
	4	7/16" SAE Washer
	4	7/16"-14 Nylock Nut
	2	14mm-1.50 x 100mm Bolt
	2	9/16" USS Washer



## TROUBLESHOOTING INFORMATION FOR YOUR VEHICLE

1. Follow Fox specifications for cleaning and maintaining coilovers.
2. Designed to work exclusively with BDS Toyota Tundra Kits

# INSTALLATION INSTRUCTIONS

## INSTALLATION INSTRUCTIONS

1. Park vehicle on clean, flat, and level surface. Block the rear wheels for safety.
2. Raise the front of the vehicle and support the frame rails with jack stands.
3. Remove the front wheels.
4. Remove the sway bar from the vehicle. Disconnect the sway bar links from the sway bar, retain hardware and spacers.
5. Disconnect the tie rod ends from the steering knuckle.

## SPECIAL TOOLS

Cutoff tool

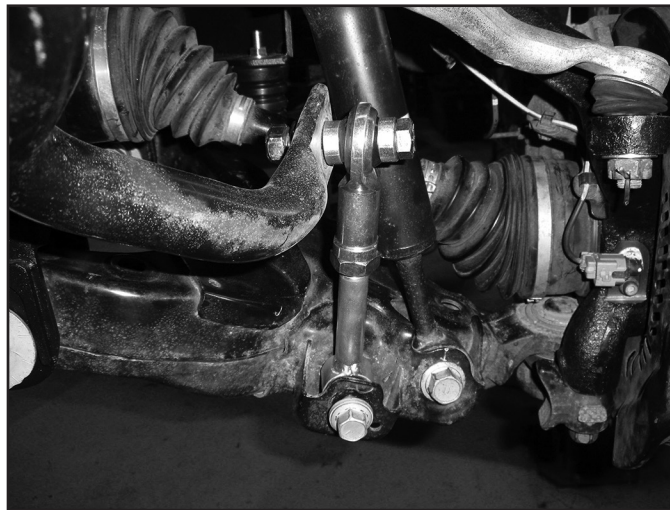
6. Disconnect the 2 bolts that attach the lower ball joint to the steering knuckle.
7. Remove the lower strut bolt and swing the lower control arm out of the way.
8. Disconnect the upper strut hardware, remove the strut assembly from the vehicle.
9. Clearance the tab from the front bump stop wing for coilover clearance. (Fig 1a)

**FIG. 1A**



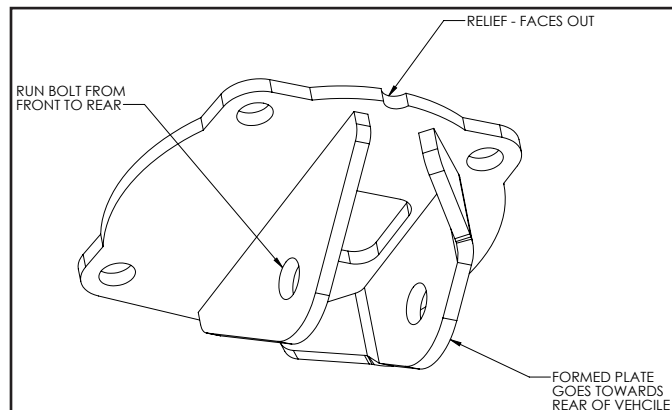
10. Enlarge the lower strut mounting area for the larger lower coilover eye by removing the sharp edges. (Fig 1b)

**FIG. 1B**



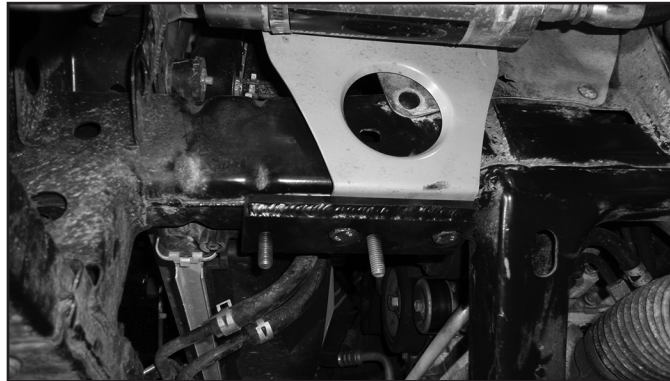
11. Attach the upper strut mount brackets to the top of the coilover with ½" hardware, run the bolts from front to rear, tighten to 65 ft-lbs. The brackets have a small relief that will face 'out'. The brackets will offset the upper mount towards the rear of the vehicle. The reservoir hose will run out towards the front of the vehicle. (Fig 2) The bracket will need to be attached to the coilover assembly before it is installed into the vehicle. Tighten to 65 ft-lbs.

**FIG. 2**



12. Attach the upper mount to the frame with 3/8" hardware. Tighten to 35 ft-lbs.
13. Attach the lower strut to the control arm with the included spacers. The short spacer goes towards the **REAR** of the vehicle. Use new 5/8" x 7-1/2" bolt with washers and torque nut to attach it, tighten to 110 ft-lbs.
14. Reattach the steering knuckle to the lower ball joint with factory bolts. Reattach the tie rod ends to the steering knuckle. Tighten to factory specifications.
15. Install the 7/16" bolts into the sway bar offset brackets. Attach the brackets with the reservoir brackets to the frame with new 12mm bolts, do not use a washer on the head of the bolts. (Fig 3)

**FIG. 3**



16. Attach the sway bar to the offset brackets with new 7/16" washers and nuts. Tighten to 45 ft-lbs.
17. Install the sway bar links to the front side of the control arm with new 14mm x 100mm bolt. Use the new spacer sleeve where the sway bar link was originally located. (Fig 4)

**FIG. 4**



18. Attach the sway bar links to the sway bar with original spacers and hardware removed earlier. It may be easier to complete this after the vehicle is on the ground and the sway bar is at a better angle. Tighten all sway bar 14mm and 9/16" hardware to 95 ft-lbs.
19. Attach the reservoir to the reservoir bracket with hose clamps.
20. Reinstall wheels and tighten to factory specifications.
21. Lower vehicle to the ground and recheck all hardware for proper torque. Check again after 500 miles.



## **WE WANT TO SEE YOUR RIDE!**

Grab photos of your BDS-equipped truck in action and send them in for a chance to be featured. Send it in to our Bad Ass Rides customer gallery at [bds-suspension.com/bar](http://bds-suspension.com/bar) and post them on the BDS Fan Page on Facebook at [facebook.com/BDSSuspensions](https://facebook.com/BDSSuspensions). Don't forget about your BDS swag! BDS offers t-shirts, hoodies, decals and more available on the BDS website or through your local BDS distributor.

---

## **TIME TO HAVE SOME FUN**

### **Thank you for choosing BDS Suspension.**

For questions, technical support and warranty issues relating to this BDS Suspension product, please contact your distributor/installer before contacting BDS Suspension directly.