

1-3" Track Bar Bracket

Ford Super Duty | 2008-2024

Part #: 123301

Rev. 031124



491 W. Garfield Ave., Coldwater, MI 49036 • Phone: 517-279-2135

E-mail: tech-bds@ridefox.com

SAFETY WARNING

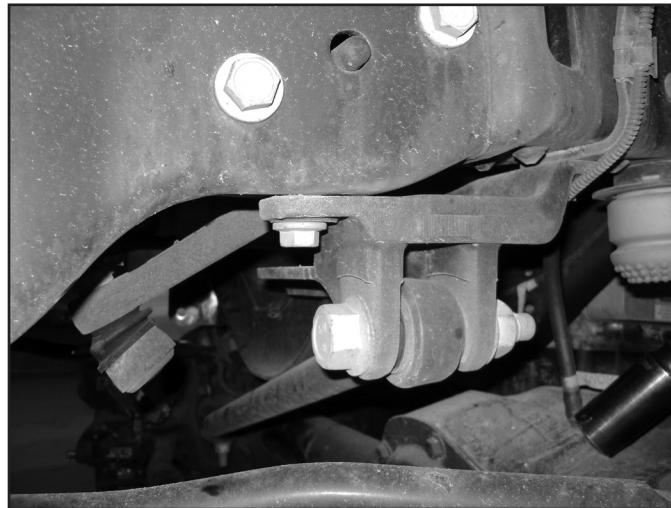
BDS Suspension Co. recommends this system be installed by a professional technician. In addition to these instructions, professional knowledge of disassembly/ reassembly procedures and post installation checks must be known.

Box Kit 123301		
Part #	Qty	Description
0945	1	1-3" Track Bar Bracket
02019	2	Track Bar Cam

INSTALLATION INSTRUCTIONS

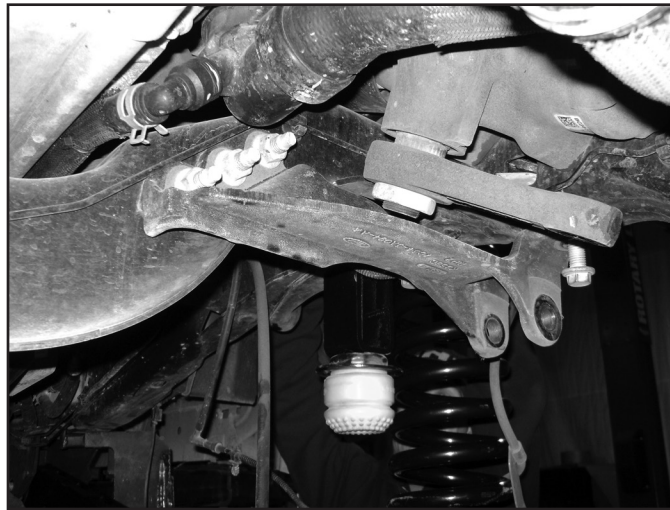
1. Park the vehicle on a clean, flat surface and block the rear wheels for safety.
2. Disconnect the track bar from the driver's side frame bracket. Retain hardware.

FIGURE 1



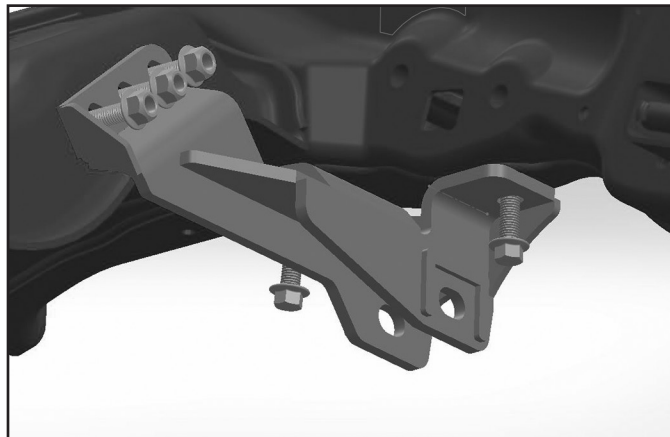
3. Remove the five bolts mounting the track bar bracket to the frame and remove the bracket from the vehicle.

FIGURE 2



4. Install the new bracket in the vehicle using the five original mounting holes and hardware. Torque mounting hardware to 129 ft-lbs.

FIGURE 3



5. Swing the track bar up into the bracket and attach with the original bolt and nut in conjunction with the provided rectangle cam washers.

Note: If installing on a vehicle with 3" of lift, offset the holes in the cams closer to the passenger's side. If installing on 2017-2019 Super Duty with 1-2" of lift, offset the holes in the cams closer to the passenger's side (Fig 4). If installing on 2008-2016 or 2020+ Super Duty with 1-2" of lift, offset the holes in the cams closer to the driver's side (Fig 4)

FIGURE 4 (DRIVER SIDE INSTALLATION SHOWN)



6. Torque the track bar mounting bolt to 406 ft-lbs.
7. Check all hardware for proper torque.
8. Check hardware after 500 miles.

TIME TO HAVE SOME FUN

Thank you for choosing BDS Suspension.

For questions, technical support and warranty issues relating to this BDS Suspension product, please contact your distributor/installer before contacting BDS Suspension directly.



WE WANT TO SEE YOUR RIDE!

Grab photos of your BDS-equipped truck in action and send them in for a chance to be featured. Send it in to our Bad Ass Rides customer gallery at bds-suspension.com/bar and post them on the BDS Fan Page on Facebook at facebook.com/BDSSuspensions. Don't forget about your BDS swag! BDS offers t-shirts, hoodies, decals and more available on the BDS website or through your local BDS distributor.