

TECHNICAL DATASHEET



L4 186LB

40 HP / 29,5 KW @ 3000 RPM



SABB Lister engines are based on core engines from Lister Petter Co.Ltd. in UK. Lister Petter Co.Ltd. as a core engine manufacturer is one of the worlds leading brands within marine and industrial diesel engines, as well as a leading supplier of diesel generator sets.

TECHNICAL SPECIFICATIONS

| | | | |
|-------------------|-----------------------|------------------------|----------------------|
| Base engine make | : Lister-Petter Ltd. | Output reference | : Continous |
| Rotation | : Clockwise from rear | Fuel oil cons., l/h | : 7,8 |
| Injection | : Direct | Lub oil cons., l/24h | : 1,41 |
| No of cylinders | : 4 | Air cons., l/sec | : 39,47 |
| Bore in mm | : 86 | Max exhaust temp. °C | : 560 |
| Stroke in mm | : 80 | Engine length in mm | : 909 |
| Cylinder volume | : 1,860 | Engine width in mm | : 495 |
| Firing order | : 1 - 3 - 4 - 2 | Engine heigth in mm | : 570 |
| Compression ratio | : 18,5 : 1 | Engine weight in kg | : 200 |
| Output @ 3000 rpm | : 29,5 kW / 39,5 Hp | Weight w/gearbox in kg | : 220 |
| Gearbox type | : ZF 12M | Max inclination | : 20° all directions |
| Gearbox ratio | : 2,63 : 1 | Engine colour | : SABB blue |

SABB lifeboat engine L4 186LB - 40hp is based on Lister-Petter engines. This renowned engine manufacturer has carefully been chosen by our company to combine the advantages of large scale production and competitive prices with the experience and knowledge of Frydenbø Sabb Motor AS in the completion of the lifeboat engines.

Standard equipment

According to SOLAS 74 / IMO 83 for engines for partially / totally enclosed lifeboats.

- Closed cooling system
- Alternator radio interference suppression
- Triple battery charging diodes
- Engine inversion stop service
- Self-bleeding fuel system
- Instrumentation / alarm function
- Spare parts kit
- Parts list / operator's manual
- Instruction labels

Program tests

- Cold starting at minus15°C within 2 minutes.
- Operation for minimum 5 minutes immersed in water to centre of crankshaft.
- Inversion of running engine through 360 degrees (Capsize test).
- Out-of-water test of engine to simulate operation before launching lifeboat.

Optional equipment

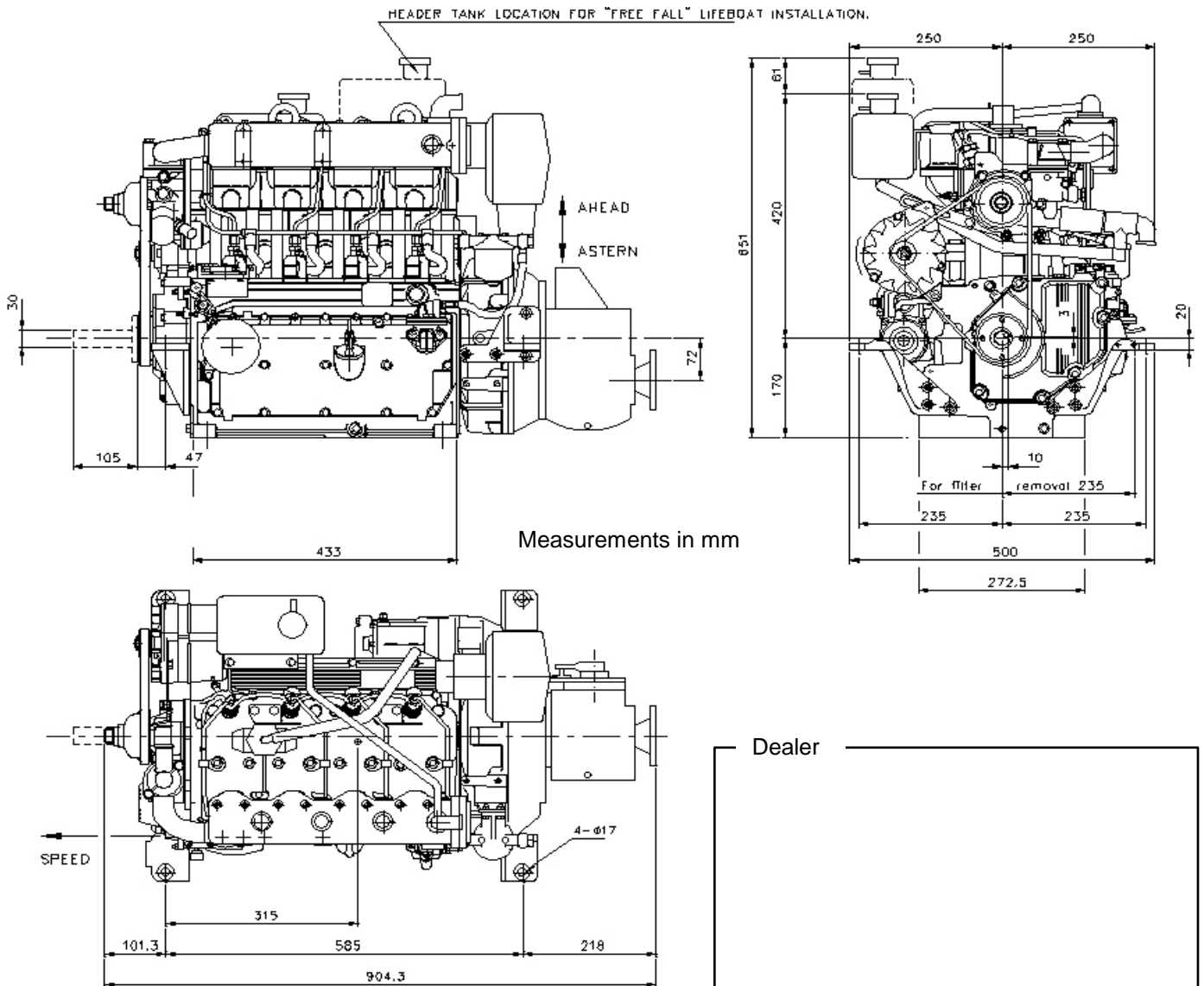
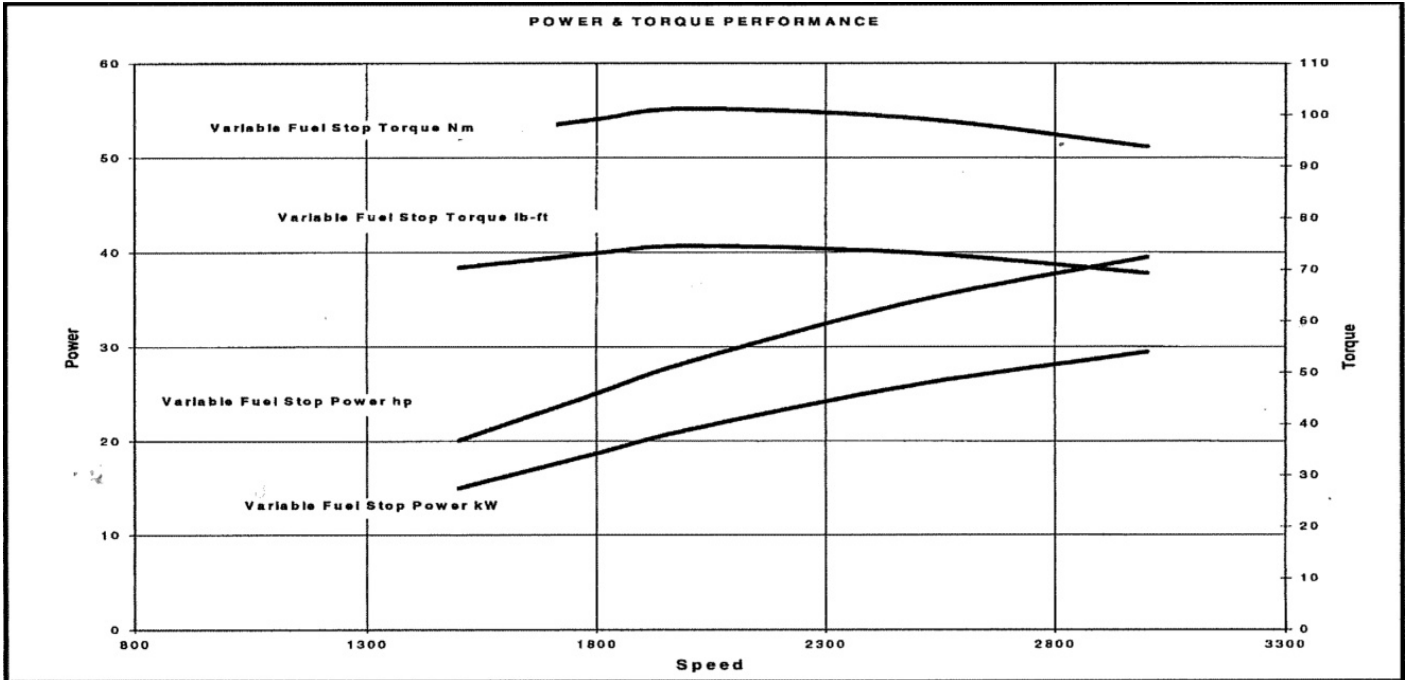
- 42V / 220V water jacket heater
- Extra start system: Electric / Hydraulic /Spring starter
- Power take off for sprinkler pump
- Inspection certificate to: DNV / LRS / GLBV / ABS / MED / USCG / Additional equipment EP



Frydenbø Sabb Motor AS

Damsgaardsveien 133, N-5058 Bergen, Norway

FRYDENBØ
SABB MOTOR



Frydenbø Sabb Motor AS
 Damsgaardsveien 133, N-5058 Bergen, Norway
 Tel. +47 55 34 88 00 || Fax +47 55 34 88 01
 post.fsm@frydenbo.no || www.frydenbosabb.no

FRYDENBØ
 SABB MOTOR