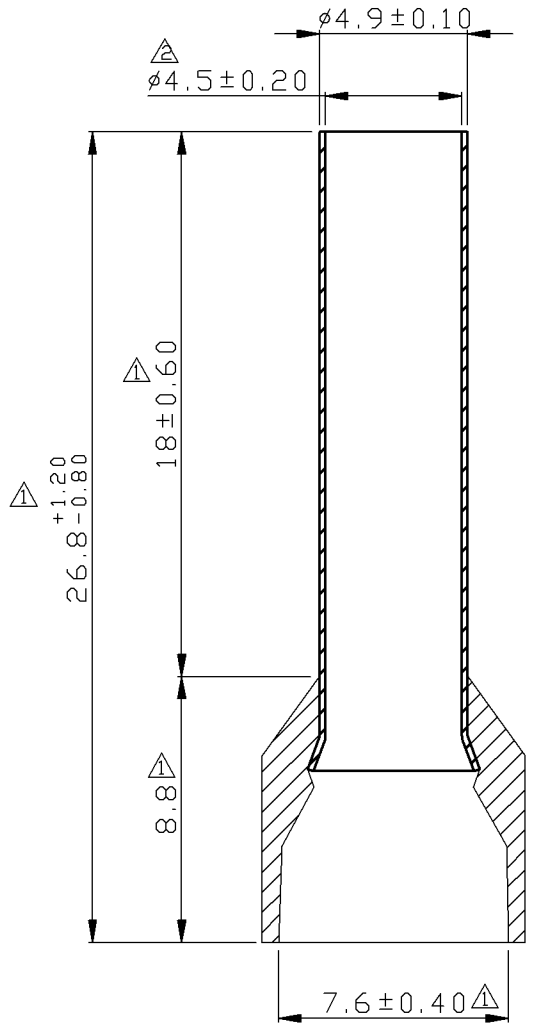
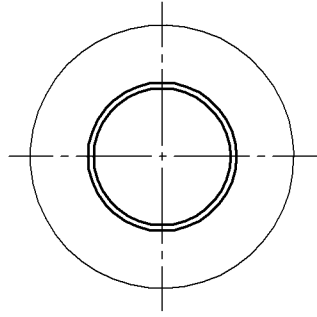


REV	DESCRIPTION	DATE
-----	-------------	------

△	RDK-97163	張馨尹 2008/09/05
△	RDCM-102196	謝婉如 2013/11/28



- NOTE :
1. MAXIMUM ELECTRIC CURRENT :

A.W.G.	8
AMP.	70
 2. MAXIMUM ELECTRICAL RATING : 105°C 600 VOLTS MAX.
 3. INSULATION MATERIAL : NYLON
 4. INSULATION COLOR :
FRENCH COLOR : BROWN
GERMAN COLOR : IVORY
DIN COLOR : RED
 5. CONNECTOR MATERIAL : COPPER TUBE.
 6. WIRE RANGE : 8 A.W.G. (10 mm²)
 7. CONNECTOR SURFACE TREATMENT : TIN PLATED

Tolerance Unless Otherwise Specified	
0 >	mm ± 0.50 ANGLE
>	mm ± 0° REF ±
>	mm ± ° ±
>	mm ± ° ±

NAME	NYLON-INSULATED CORD END TERMINALS (E SERIES)				UNIT	mm	
PART NO.	E10-18	MATERIAL	-----	APPROVE			
NUMBER	KA-95444-C	SCALE	SHEET	PAGE	CHECKED		
DATE	2006/05/11	4/1	1-2	10F1	DRAWN	張馨尹	

KST. K.S. TERMINALS INC.