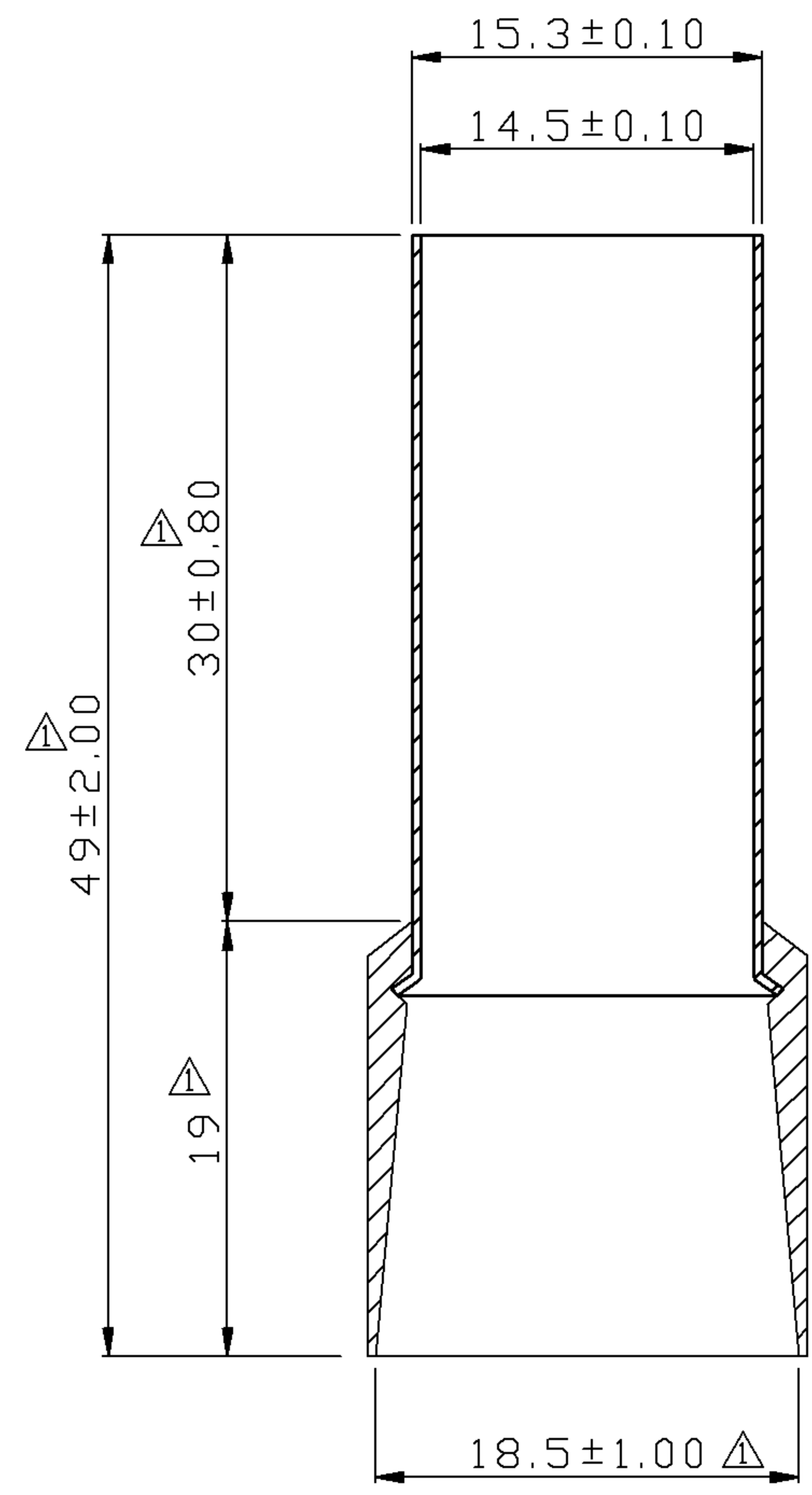
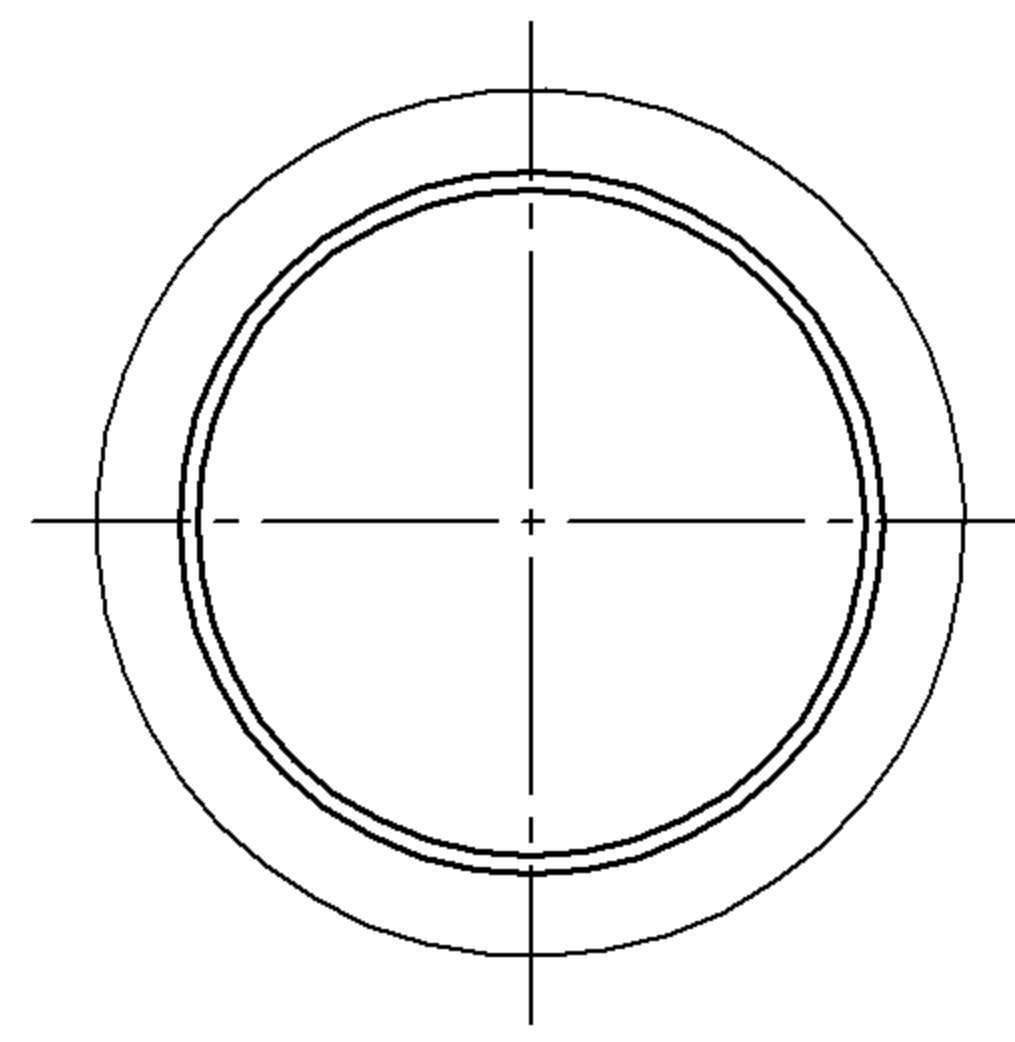


REV	DESCRIPTION	DATE
-----	-------------	------

△ RDK-97163 張馨尹 2008/09/08



- NOTE:
1. MAXIMUM ELECTRIC CURRENT :

A.W.G.	3/0
AMP.	310
 2. MAXIMUM ELECTRICAL RATING : 105°C 600 VOLTS MAX.
 3. INSULATION MATERIAL : NYLON
 4. INSULATION COLOR :
FRENCH COLOR : RED
GERMAN COLOR : RED
DIN COLOR : RED
 5. CONNECTOR MATERIAL : COPPER TUBE.
 6. WIRE RANGE : 3/0 A.W.G.(95 mm²)
 7. CONNECTOR SURFACE TREATMENT : TIN PLATED

Tolerance Unless Otherwise Specified	
0 >	mm ± 0.50 ANGLE
>	mm ± 0° ° REF ±
>	mm ± ° ° ±
>	mm ± ° ° ±

NAME	NYLON-INSULATED CORD END TERMINALS (E SERIES)			UNIT	
PART NO.	E95-30	MATERIAL	-----	APPROVE	
NUMBER	KA-95469-C	SCALE	SHEET	PAGE	CHECKED
DATE	2006/06/11	2/1	1-1	10F1	DRAWN 張馨尹

KST. K.S. TERMINALS INC.