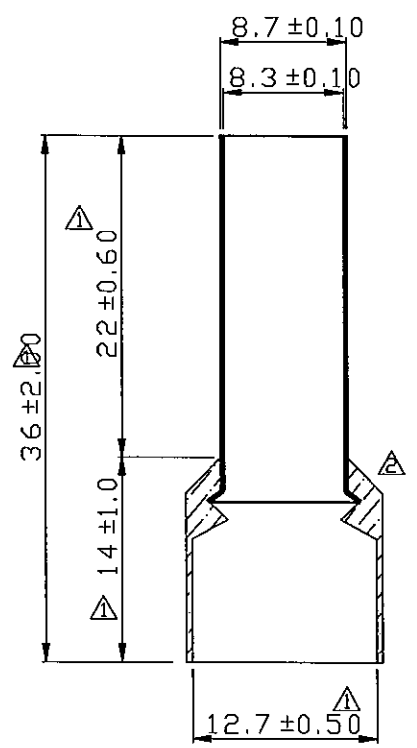
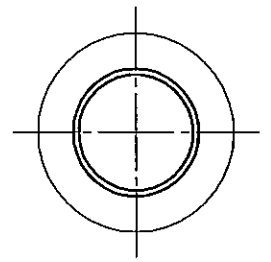


A B C D E F G H X

REV	DESCRIPTION	DATE
△	RDK-97163	張馨尹 2008/09/08
△	RDCM-105070	林淑慎 2016/06/06



- NOTE:
1. MAXIMUM ELECTRIC CURRENT : $\frac{\text{A.W.G.} | 2 |}{\text{AMP.} | 170 |}$
 2. MAXIMUM ELECTRICAL RATING : 105°C 600 VOLTS MAX.
 3. INSULATION MATERIAL : NYLON
 4. INSULATION COLOR :
 FRENCH COLOR : RED
 GERMAN COLOR : BEIGE
 DIN COLOR : RED
 5. CONNECTOR MATERIAL : COPPER TUBE.
 6. WIRE RANGE : 2 A.W.G.(35 mm²)
 7. CONNECTOR SURFACE TREATMENT : TIN PLATED

Tolerance Unless Otherwise Specified	
0 >	mm ± 0.50 ANGLE
>	mm ± 0° ° REF ±
>	mm ± ° ° ±
>	mm ± ° ° ±

NAME	NYLON-INSULATED CORD END TERMINALS (E SERIES)			UNIT	mm	
PART NO.	E35-22	MATERIAL	-----	APPROVE		
NUMBER	KA-95457-C	SCALE	SHEET	PAGE	CHECKED	
DATE	2006/06/11	2/1	1-2	10F1	DRAWN	張馨尹

KST. K.S. TERMINALS INC.

A B C D E F G H X