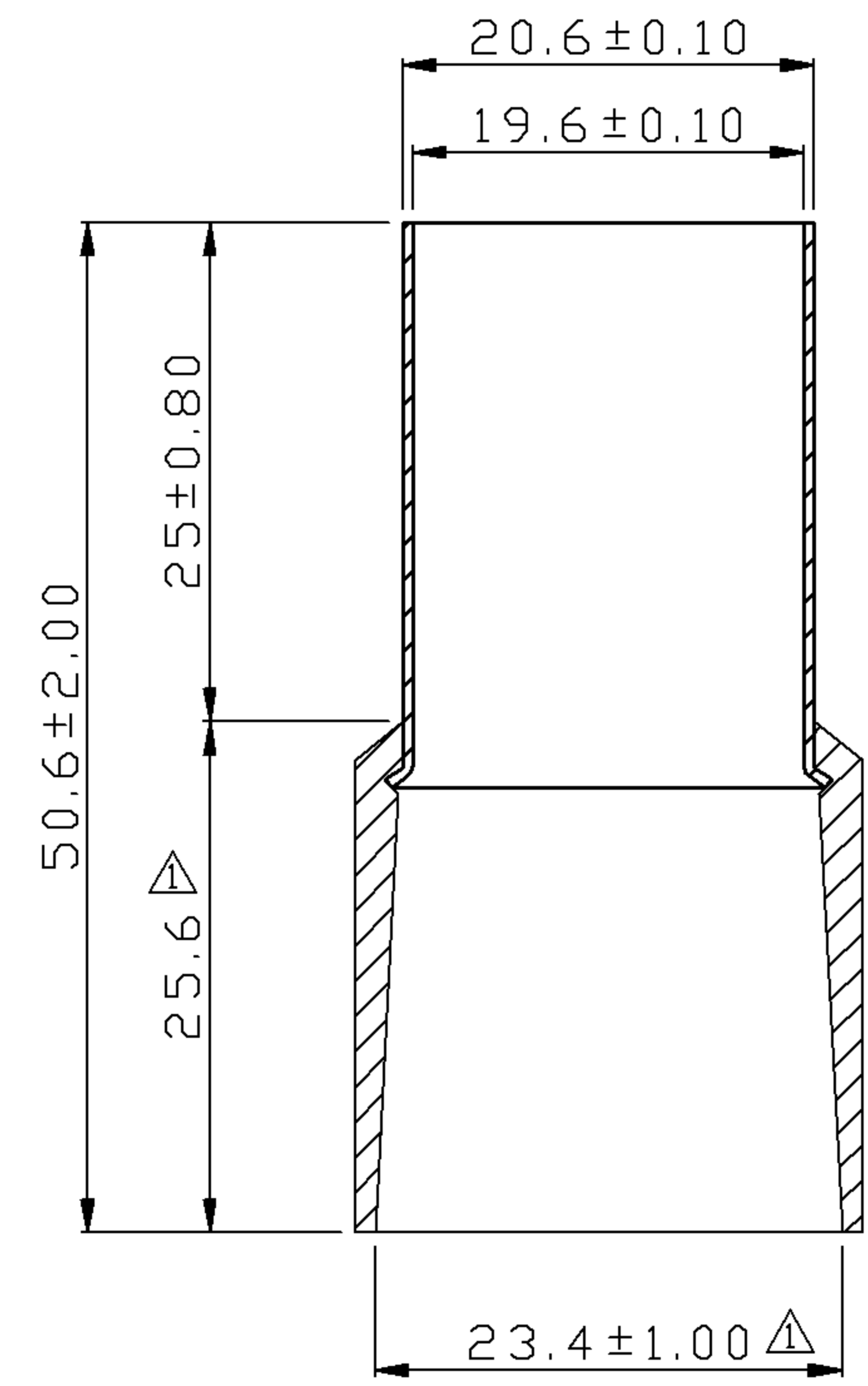
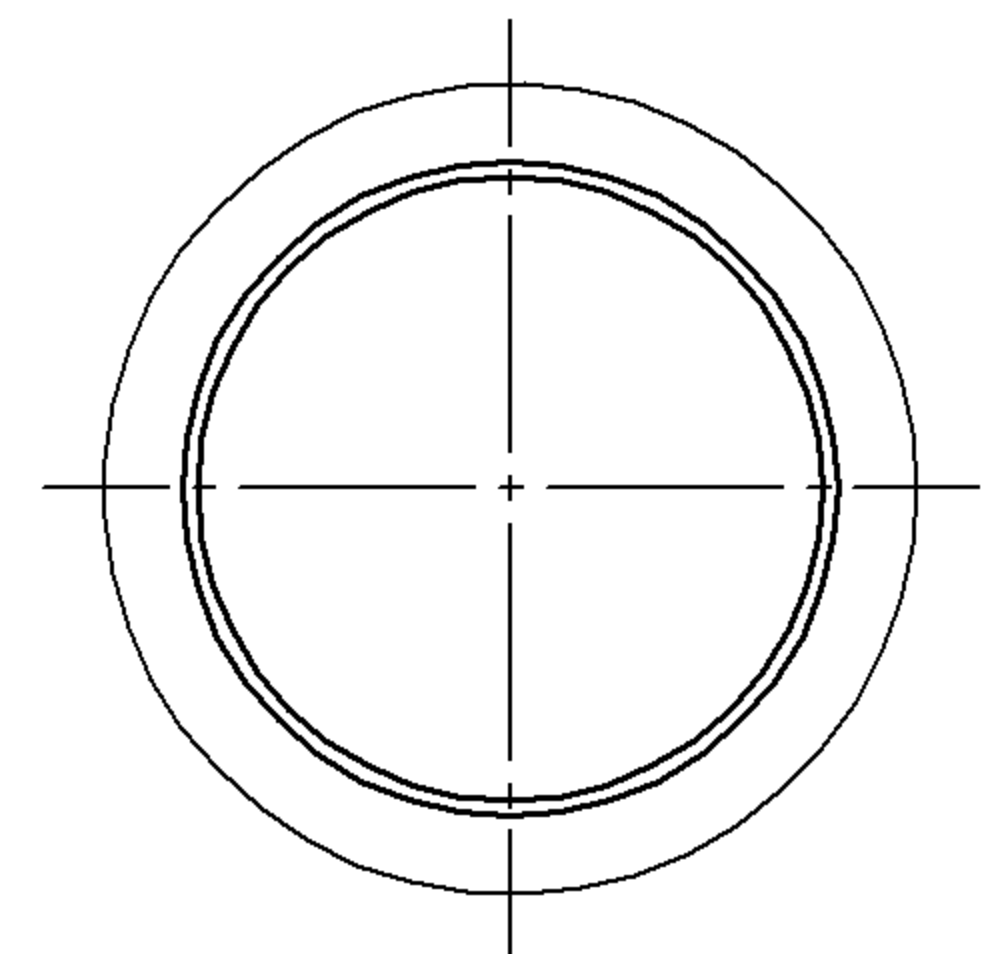


REV	DESCRIPTION	DATE
-----	-------------	------

△ RDK-97163 張馨尹 2008/09/08



- NOTE:
- MAXIMUM ELECTRIC CURRENT : 

MCM	250	300
AMP.	405	445
  - MAXIMUM ELECTRICAL RATING : 105°C 600 VOLTS MAX.
  - INSULATION MATERIAL : NYLON
  - INSULATION COLOR :  
FRENCH COLOR : YELLOW  
GERMAN COLOR : YELLOW  
DIN COLOR : YELLOW
  - CONNECTOR MATERIAL : COPPER TUBE.
  - WIRE RANGE : 250/300 MCM ( 150 mm<sup>2</sup>)
  - CONNECTOR SURFACE TREATMENT : TIN PLATED

Tolerance Unless Otherwise Specified	
0 >	mm ± 0.50 ANGLE
>	mm ± 0° ° REF ±
>	mm ± ° ° ±
>	mm ± ° ° ±

NAME	NYLON-INSULATED CORD END TERMINALS (E SERIES)			UNIT	
PART NO.	E150-25	MATERIAL	-----	APPROVE	
NUMBER	KA-95474-C	SCALE	SHEET	PAGE	CHECKED
DATE	2006/06/11	1.5/1	1-1	10F1	DRAWN 張馨尹

**KST. K.S. TERMINALS INC.**