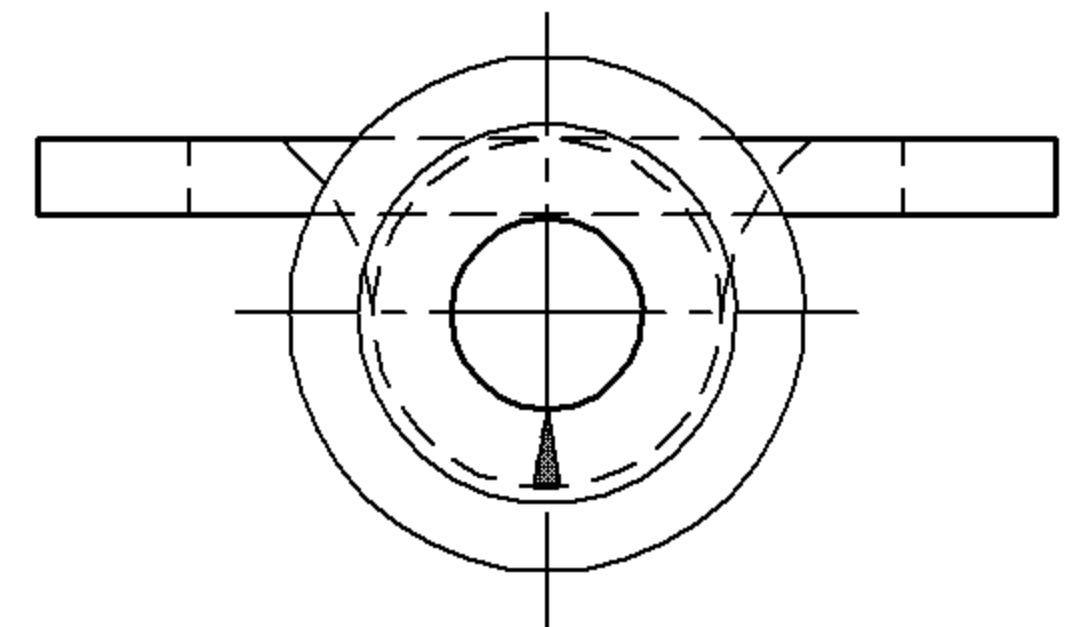
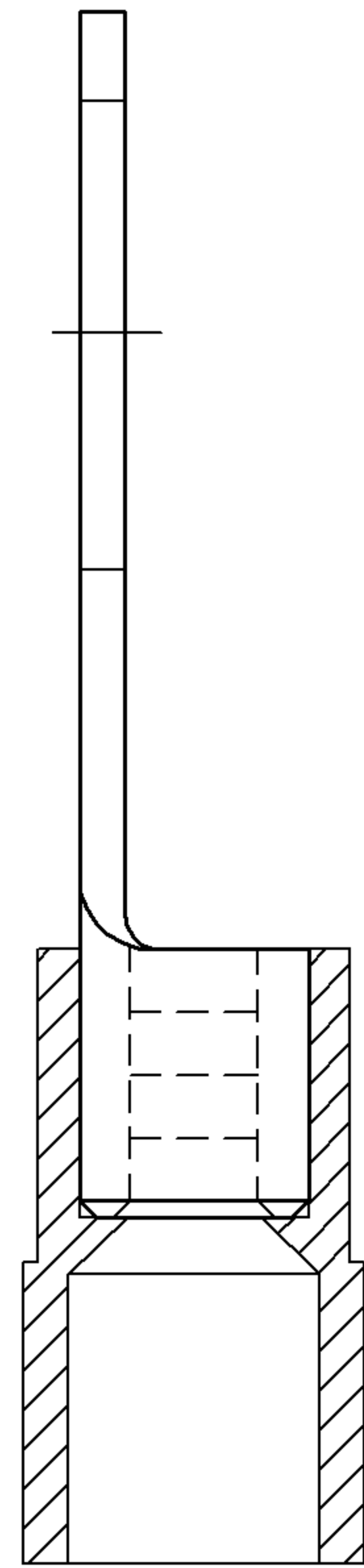
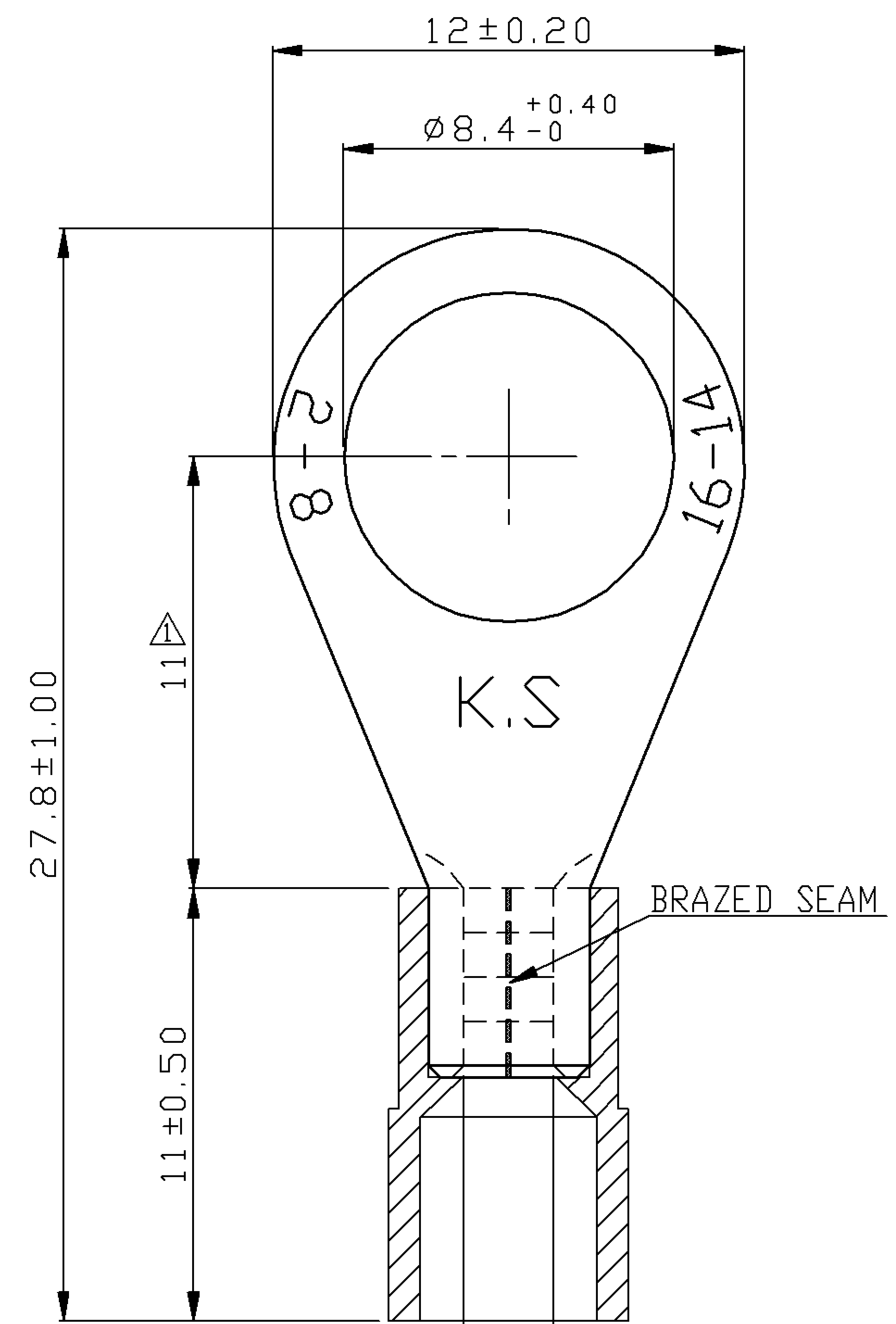


REV	DESCRIPTION	DATE
-----	-------------	------

△	RDK-97127	謝婉如 2009/09/21
△	RDK-98020	謝婉如 2009/09/21



- NOTE:
1. MAXIMUM ELECTRIC CURRENT :

A.W.G.	16	14	
AMP.	18	30	
 2. MAXIMUM ELECTRICAL RATING : 105°C 600 VOLTS MAX.
 3. INSULATION MATERIAL : NYLON
 4. INSULATION COLOR : BLUE
 5. TERMINAL MATERIAL : COPPER
 6. WIRE RANGE : 16-14 A.W.G.(1.5-2.5mm²)
 7. TERMINAL SURFACE TREATMENT : TIN PLATED
 8. TERMINAL THICKNESS : 0.8 mm

△ Tolerance Unless	
□ Otherwise Specified	
0 >	mm ±
>	mm ±
>	mm ±
>	mm ±
	ANGLE
	0° >
	° REF ±
	° ±
	° ±

NAME	NYLON-INSULATED RING TERMINALS				UNIT	mm	
PART NO.	RNYB2-8	MATERIAL	-----	APPROVE			
NUMBER	KA-94093-C	SCALE	SHEET	PAGE	CHECKED		
DATE	2006/08/21	4/1	1-2	10F2	DRAWN	張馨尹	

KST. K.S. TERMINALS INC.