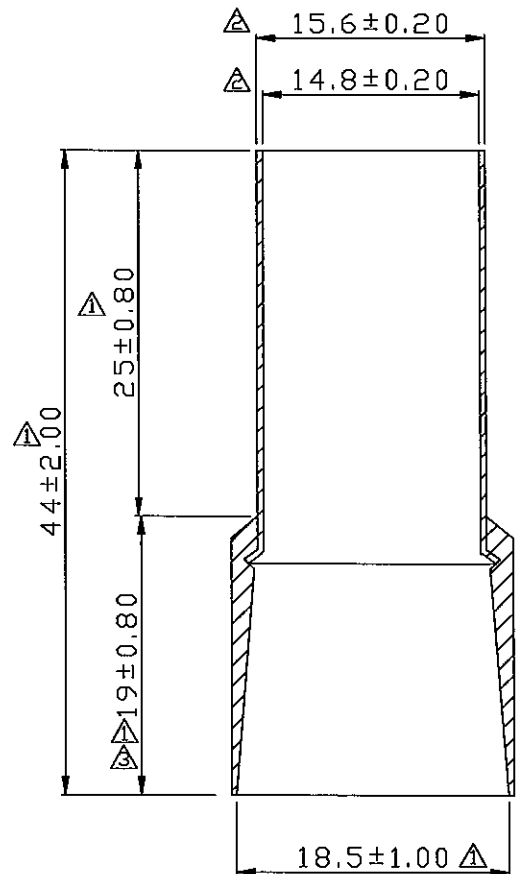
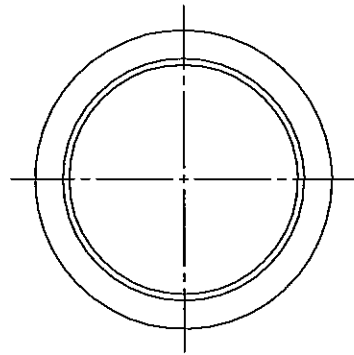


| REV | DESCRIPTION | DATE |
|-----|-------------|------|
|-----|-------------|------|

|   |             |                |
|---|-------------|----------------|
| △ | RDK-97163   | 張馨尹 2008/09/08 |
| △ | RDCM-102071 | 謝婉如 2013/08/30 |
| △ | RDJ-105316  | 林淑楨 2016/12/15 |



NOTE:

1. MAXIMUM ELECTRIC CURRENT :  $\frac{\text{A.W.G. } 3/0}{\text{AMP. } 310}$
2. MAXIMUM ELECTRICAL RATING : 105°C 600 VOLTS MAX.
3. INSULATION MATERIAL : NYLON
4. INSULATION COLOR :  
FRENCH COLOR : RED  
GERMAN COLOR : RED  
DIN COLOR : RED
5. CONNECTOR MATERIAL : COPPER TUBE.
6. WIRE RANGE : 3/0 A.W.G. ( 95 mm<sup>2</sup> )
7. CONNECTOR SURFACE TREATMENT : TIN PLATED

| Tolerance Unless<br>Otherwise Specified |                 |
|-----------------------------------------|-----------------|
| 0 >                                     | mm ± 0.50 ANGLE |
| >                                       | mm ± 0° ° REF ± |
| >                                       | mm ± ° ° ±      |
| >                                       | mm ± ° ° ±      |

|          |                                                  |          |       |         |         |     |
|----------|--------------------------------------------------|----------|-------|---------|---------|-----|
| NAME     | NYLON-INSULATED<br>CORD END TERMINALS (E SERIES) |          |       | UNIT    | mm      |     |
| PART NO. | E95-25                                           | MATERIAL | ----- | APPROVE |         |     |
| NUMBER   | KA-95468-C                                       | SCALE    | SHEET | PAGE    | CHECKED |     |
| DATE     | 2006/06/11                                       | 2/1      | 1-3   | 10F1    | DRAWN   | 張馨尹 |

**KST. K.S. TERMINALS INC.**