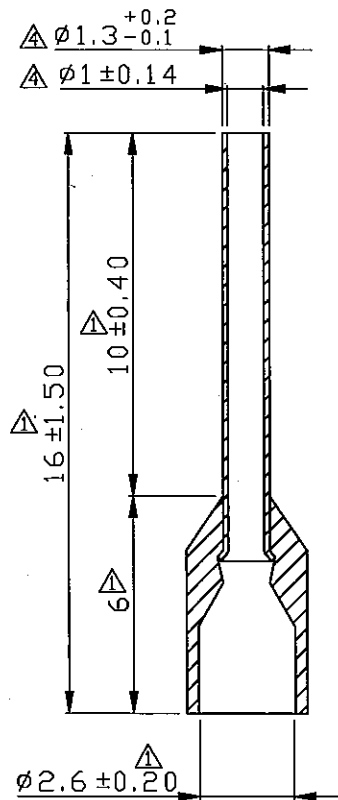
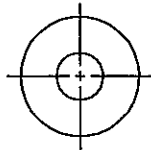


REV	DESCRIPTION	DATE
△	RDK-97163	張馨尹 2008/08/26
△	RDM-12082 新增料號	汪金梅 2012/09/17
△	RDK-109028	林淑禎 2020/07/23
△	RDK-109050	郭碧紋 2022/11/16



- NOTE:
1. MAXIMUM ELECTRIC CURRENT : 

A.W.G.	20
AMP.	12
  2. MAXIMUM ELECTRICAL RATING : 105°C 600 VOLTS MAX.
  3. INSULATION MATERIAL : NYLON
  4. INSULATION COLOR :  
GERMAN COLOR : DRANGE  
DIN COLOR : WHITE
  5. CONNECTOR MATERIAL : COPPER TUBE.
  6. WIRE RANGE : 20 A.W.G.( 0.50 mm<sup>3</sup>)
  7. CONNECTOR SURFACE TREATMENT : TIN PLATED

Tolerance Unless Otherwise Specified	
0 > 20 mm ± 0.50	ANGLE
> mm ±	0° ° REF ±
> mm ±	° ° ±
> mm ±	° ° ±

NAME	NYLON-INSULATED CORD END TERMINALS (E SERIES)			UNIT	mm	
PART NO.	E0510	MATERIAL	-----	APPROVE		
NUMBER	KA-95408-C	SCALE	REV.	SHEET	CHECKED	
DATE	2006/05/10	5/1	1-4	10F1	DRAWN	張馨尹

**KST. K.S. TERMINALS INC.**