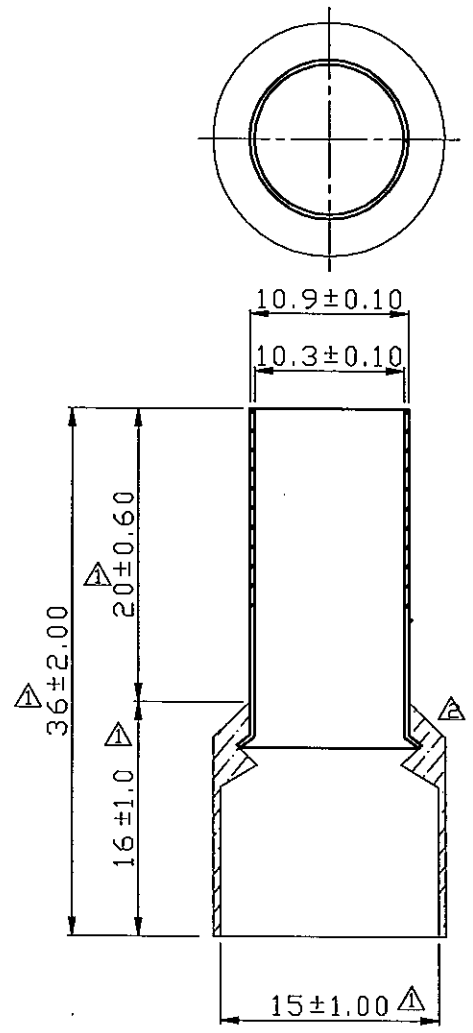


REV	DESCRIPTION	DATE
△ RDK-97163		張馨尹 2008/09/08
△ RDCM-105070		林淑楨 2016/06/06



- NOTE:
1. MAXIMUM ELECTRIC CURRENT : $\frac{\text{A.W.G. } 1/0}{\text{AMP. } 230}$
 2. MAXIMUM ELECTRICAL RATING : 105°C 600 VOLTS MAX.
 3. INSULATION MATERIAL : NYLON
 4. INSULATION COLOR :
 FRENCH COLOR : BLUE
 GERMAN COLOR : OLIVE
 DIN COLOR : BLUE
 5. CONNECTOR MATERIAL : COPPER TUBE.
 6. WIRE RANGE : 1/0 A.W.G.(50 mm²)
 7. CONNECTOR SURFACE TREATMENT : TIN PLATED

Tolerance Unless Otherwise Specified	
0 >	mm ±0.50 ANGLE
>	mm ± 0° REF ±
>	mm ± ° ±
>	mm ± ° ±

NAME	NYLON-INSULATED CORD END TERMINALS (E SERIES)			UNIT	mm	
PART NO.	E50-20	MATERIAL	-----	APPROVE		
NUMBER	KA-95461-C	SCALE	SHEET	PAGE	CHECKED	
DATE	2006/05/10	2/1	1-2	10F1	DRAWN	張馨尹

KST. K.S. TERMINALS INC.