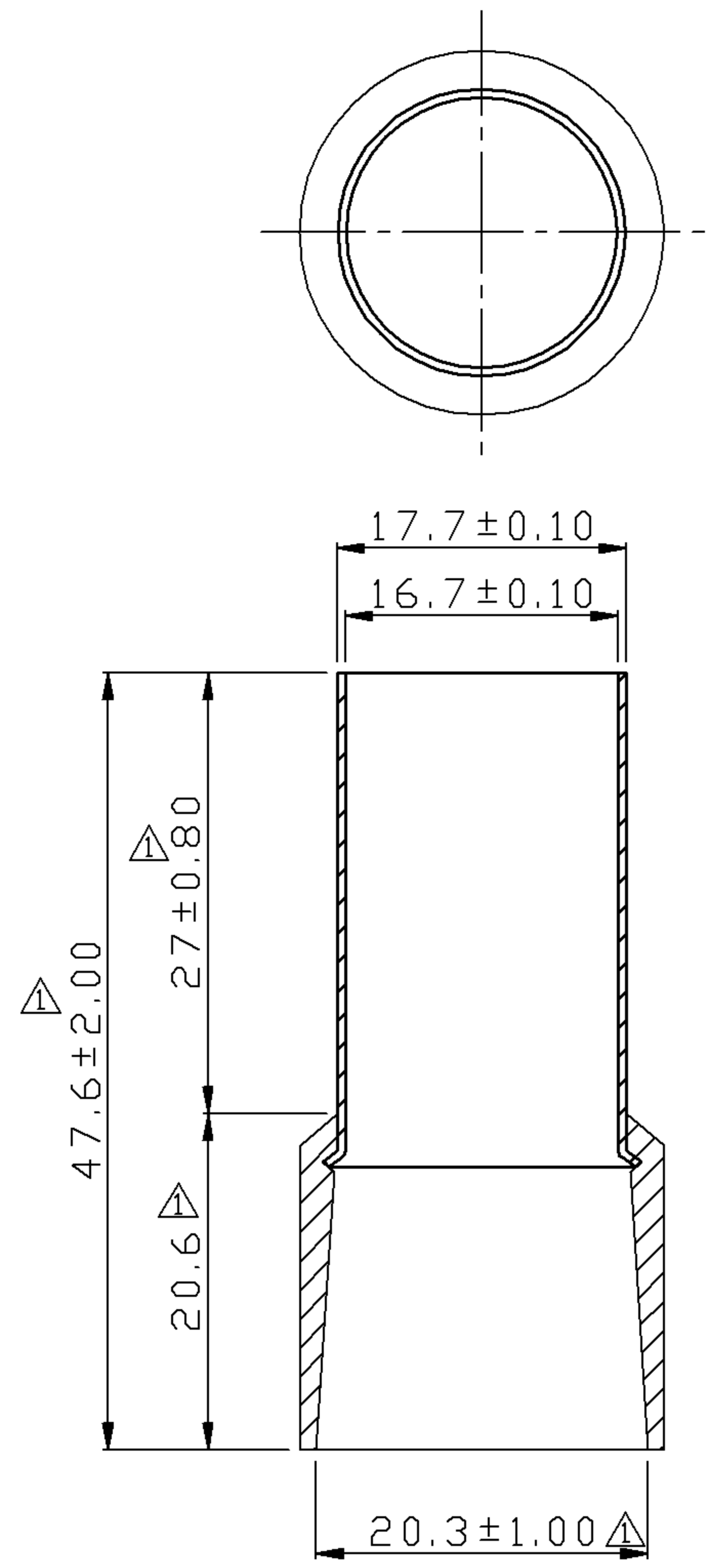


REV	DESCRIPTION	DATE
△	RDK-97163	張馨尹 2008/09/08



- NOTE:
1. MAXIMUM ELECTRIC CURRENT :

A.W.G.	4/0
AMP.	360
 2. MAXIMUM ELECTRICAL RATING : 105°C 600 VOLTS MAX.
 3. INSULATION MATERIAL : NYLON
 4. INSULATION COLOR :
FRENCH COLOR : BLUE
GERMAN COLOR : BLUE
DIN COLOR : BLUE
 5. CONNECTOR MATERIAL : COPPER TUBE.
 6. WIRE RANGE : 4/0 A.W.G.(120 mm²)
 7. CONNECTOR SURFACE TREATMENT : TIN PLATED

Tolerance Unless Otherwise Specified	
0 >	mm ± 0.50 ANGLE
>	mm ± 0° ° REF ±
>	mm ± ° ° ±
>	mm ± ° ° ±

NAME	NYLON-INSULATED CORD END TERMINALS (E SERIES)			UNIT	
PART NO.	E120-27	MATERIAL	-----	APPROVE	
NUMBER	KA-95470-C	SCALE	SHEET	PAGE	CHECKED
DATE	2006/06/11	1.5/1	1-1	10F1	DRAWN 張馨尹

KST. K.S. TERMINALS INC.