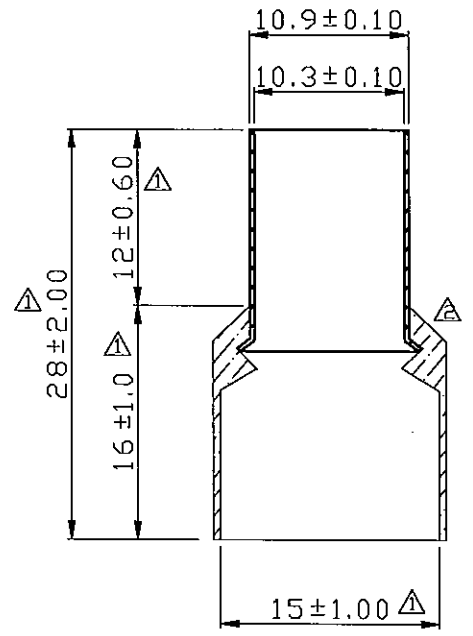
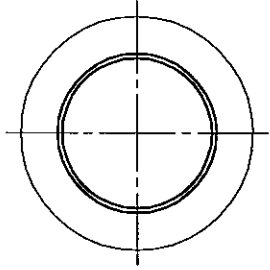


REV	DESCRIPTION	DATE
△	RDK-97163	張馨尹 2008/09/08
△	RDCM-105070	林淑禎 2016/06/06



- NOTE:
1. MAXIMUM ELECTRIC CURRENT :  $\frac{\text{A.W.G. } |1/0|}{\text{AMP. } |230|}$
  2. MAXIMUM ELECTRICAL RATING : 105°C 600 VOLTS MAX.
  3. INSULATION MATERIAL : NYLON
  4. INSULATION COLOR :  
 FRENCH COLOR : BLUE  
 GERMAN COLOR : OLIVE  
 DIN COLOR : BLUE
  5. CONNECTOR MATERIAL : COPPER TUBE.
  6. WIRE RANGE : 1/0 A.W.G.( 50 mm<sup>2</sup>)
  7. CONNECTOR SURFACE TREATMENT : TIN PLATED

Tolerance Unless Otherwise Specified	
0 >	mm ± 0.50
>	mm ±
>	mm ±
>	mm ±
	ANGLE
	0°
	° REF ±
	° ±
	° ±

NAME	NYLON-INSULATED CORD END TERMINALS (E SERIES)			UNIT	mm	
PART NO.	E50-12	MATERIAL	-----	APPROVE		
NUMBER	KA-95459-C	SCALE	SHEET	PAGE	CHECKED	
DATE	2006/05/10	2/1	1-2	10F1	DRAWN	張馨尹

**KST. K.S. TERMINALS INC.**