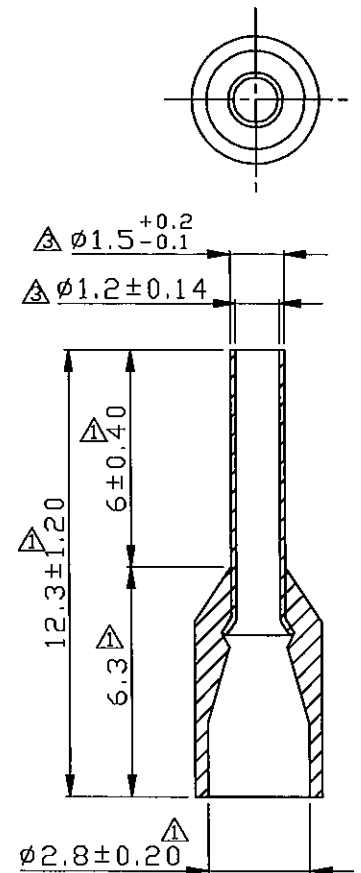


REV	DESCRIPTION	DATE
△	RDK-97163	張馨尹 2008/08/27
△	RDK-109028	林淑禎 2020/07/23
△	RDK-109050	郭碧紋 2022/10/31



- NOTE:
- △ 1. MAXIMUM ELECTRIC CURRENT :

A.W.G.	18
AMP.	17
 - 2. MAXIMUM ELECTRICAL RATING : 105°C 600 VOLTS MAX.
 - 3. INSULATION MATERIAL : NYLON
 - 4. INSULATION COLOR :
FRENCH COLOR : BLUE
GERMAN COLOR : WHITE
DIN COLOR : GREY
 - 5. CONNECTOR MATERIAL : COPPER TUBE.
 - △ 6. WIRE RANGE : 18 A.W.G.(0.75 mm²)
 - 7. CONNECTOR SURFACE TREATMENT : TIN PLATED

Tolerance Unless Otherwise Specified	
0 >	mm ± 0.50 ANGLE
>	mm ± 0° ° REF ±
>	mm ± ° ° ±
>	mm ± ° ° ±

NAME	NYLON-INSULATED CORD END TERMINALS (E SERIES)				UNIT	mm	<input type="checkbox"/>	<input type="checkbox"/>
PART NO.	E7506	MATERIAL	-----	APPROVE				
NUMBER	KA-95410-C	SCALE	REV.	SHEET	CHECKED			
DATE	2006/05/10	5/1	1-3	10F1	DRAWN	張馨尹		

KST. K.S. TERMINALS INC.