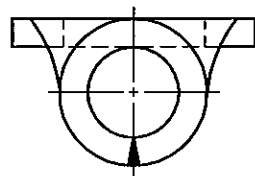
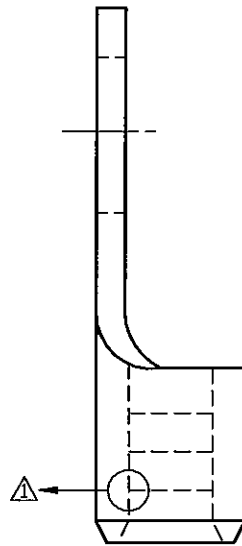
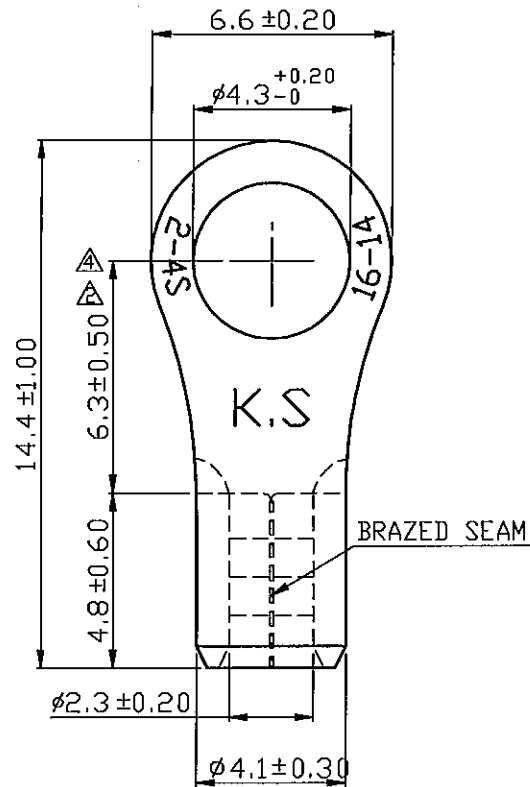


REV	DESCRIPTION	DATE
△	RDK-96036	張馨尹 2007/09/12
△	RDK-97127	謝婉如 2008/10/20
△	RDK-98020	張馨尹 2009/09/30
△	RDCM-106011	林佳麗 2017/03/17



NOTE :

- MAXIMUM ELECTRIC CURRENT :

A.W.G.	16	14	
AMP.	18	30	
- WIRE RANGE : 16-14 A.W.G. (1.5-2.5 mm²)
- SURFACE TREATMENT : TIN PLATED
- THICKNESS : 0.80 mm

Tolerance Unless Otherwise Specified	
0 >	mm ± ANGLE
>	mm ± 0° ° REF ±
>	mm ± ° ° ±
>	mm ± ° ° ±

NAME	NON-INSULATED RING TERMINALS			UNIT	mm	
PART NO.	RNBS2-4	MATERIAL	COPPER	APPROVE		
NUMBER	KT-94569-C	SCALE	SHEET	PAGE	CHECKED	
DATE	2006/09/26	5/1	1-4	1QF1	DRAWN	謝婉如

KST. K.S. TERMINALS INC.