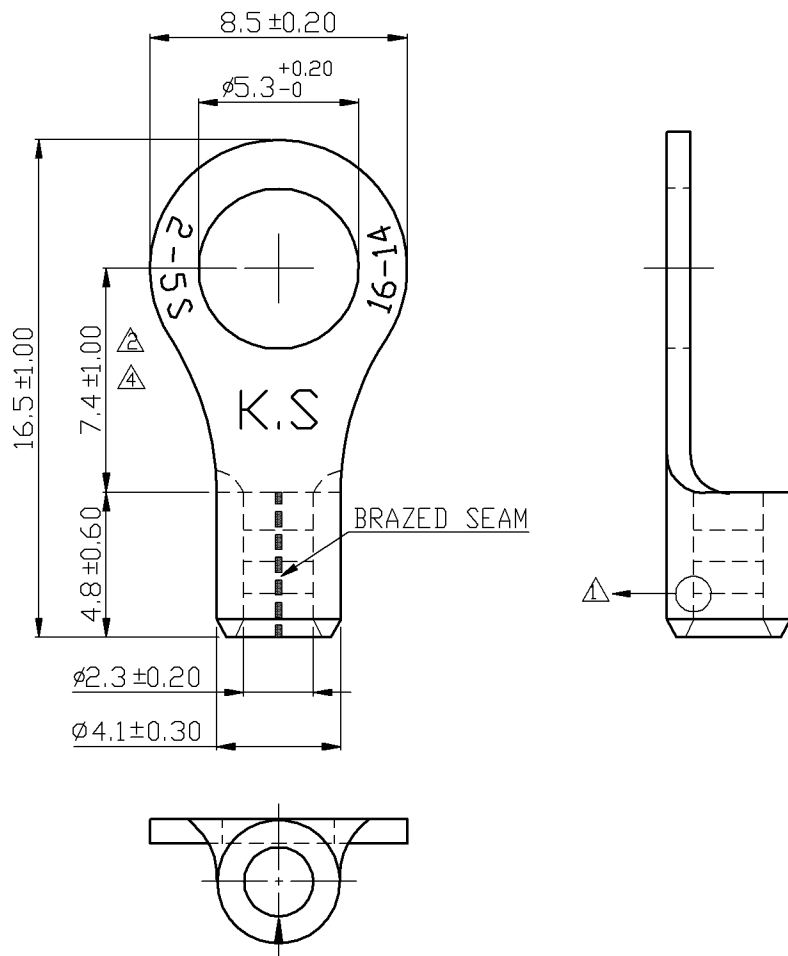


REV	DESCRIPTION	DATE
△	RDK-96036	張馨尹 2007/09/12
△	RDK-97127	謝婉如 2008/10/20
△	RDK-98020	張馨尹 2009/09/30
△	RDCM-103054	謝婉如 2014/03/20



- NOTE :
1. MAXIMUM ELECTRIC CURRENT :

A.W.G.	16	14	
AMP.	18	30	
 2. WIRE RANGE : 16-14 A.W.G. (1.5-2.5 mm²)
 3. SURFACE TREATMENT : TIN PLATED
 4. THICKNESS : 0.80 mm

Tolerance Unless	
Otherwise Specified	
0 >	mm ±
>	mm ±
>	mm ±
>	mm ±
>	mm ±

NAME	NON-INSULATED RING TERMINALS				UNIT	mm	
PART NO.	RNBS2-5	MATERIAL	COPPER	APPROVE			
NUMBER	KT-94354-C	SCALE	SHEET	PAGE	CHECKED		
DATE	2006/09/26	4/1	1-4	10F2	DRAWN	謝婉如	

KST. K.S. TERMINALS INC.