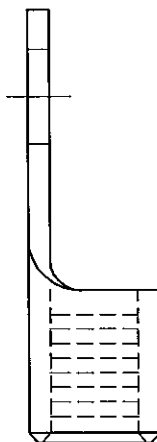
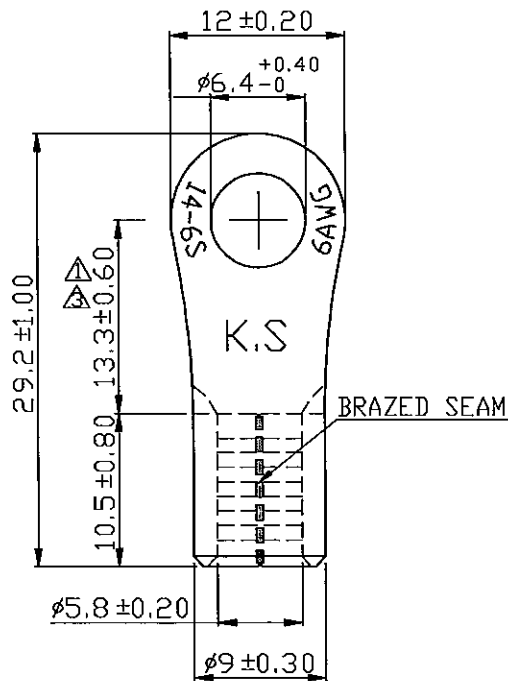


REV	DESCRIPTION	DATE
△ RDK-97127		謝婉如 2008/08/28
△ RDK-98020		張馨尹 2009/09/18
△ RDC-110173		楊敏為 2021/06/11



- NOTE :
1. MAXIMUM ELECTRIC CURRENT :

A.W.G.	6
AMP.	95
 2. WIRE RANGE : 6 A.W.G. (14 mm²)
 3. SURFACE TREATMENT : TIN PLATED
 4. THICKNESS : 1.50 mm

△	Tolerance Unless	
△	Otherwise Specified	
0 > 6 mm	± 0.20	ANGLE
6 > 18 mm	± 0.30	0° ° REF ±
18 > 30 mm	± 0.40	° ° ±
30 > 75 mm	± 0.50	° ° ±

NAME	NON-INSULATED RING TERMINALS				UNIT	mm	
PART NO.	RNBS14-6	MATERIAL	COPPER	APPROVE			
NUMBER	KT-94102-C	SCALE	REV.	SHEET	CHECKED		
DATE	2005/10/12	2/1	1-3	10F1	DRAWN	張馨尹	

KST. K.S. TERMINALS INC.