

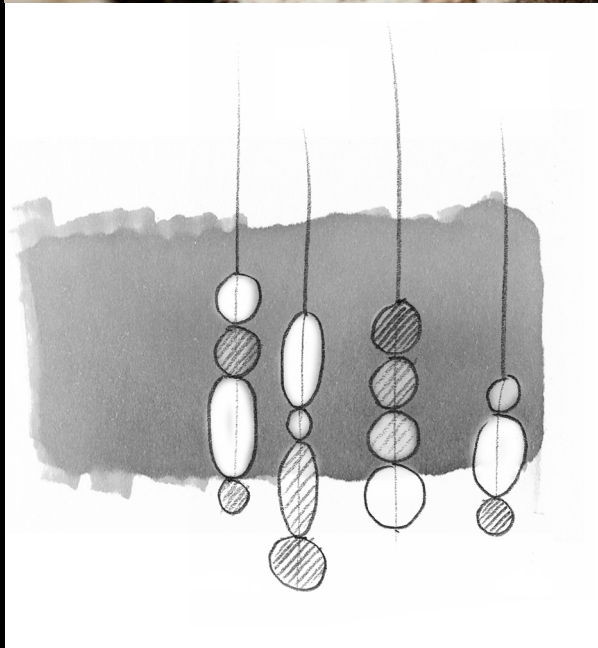


peloles

loomma



inspiration



PEBBLES

Keepsakes of treasured memories.

Smooth pebbles from summer beach, or as a reminder of someone special. Their diverse shapes and colors inspired this collection that lets you to create distinctive combinations. String the hand-blow glass elements just like colorful beads, connected by their interior light source.

Design by Boris Klimek

production





projects



BOMMA catalogue, 2021



BOMMA Atelier, Prague, 2021



Poliform showroom, Lyon, 2021



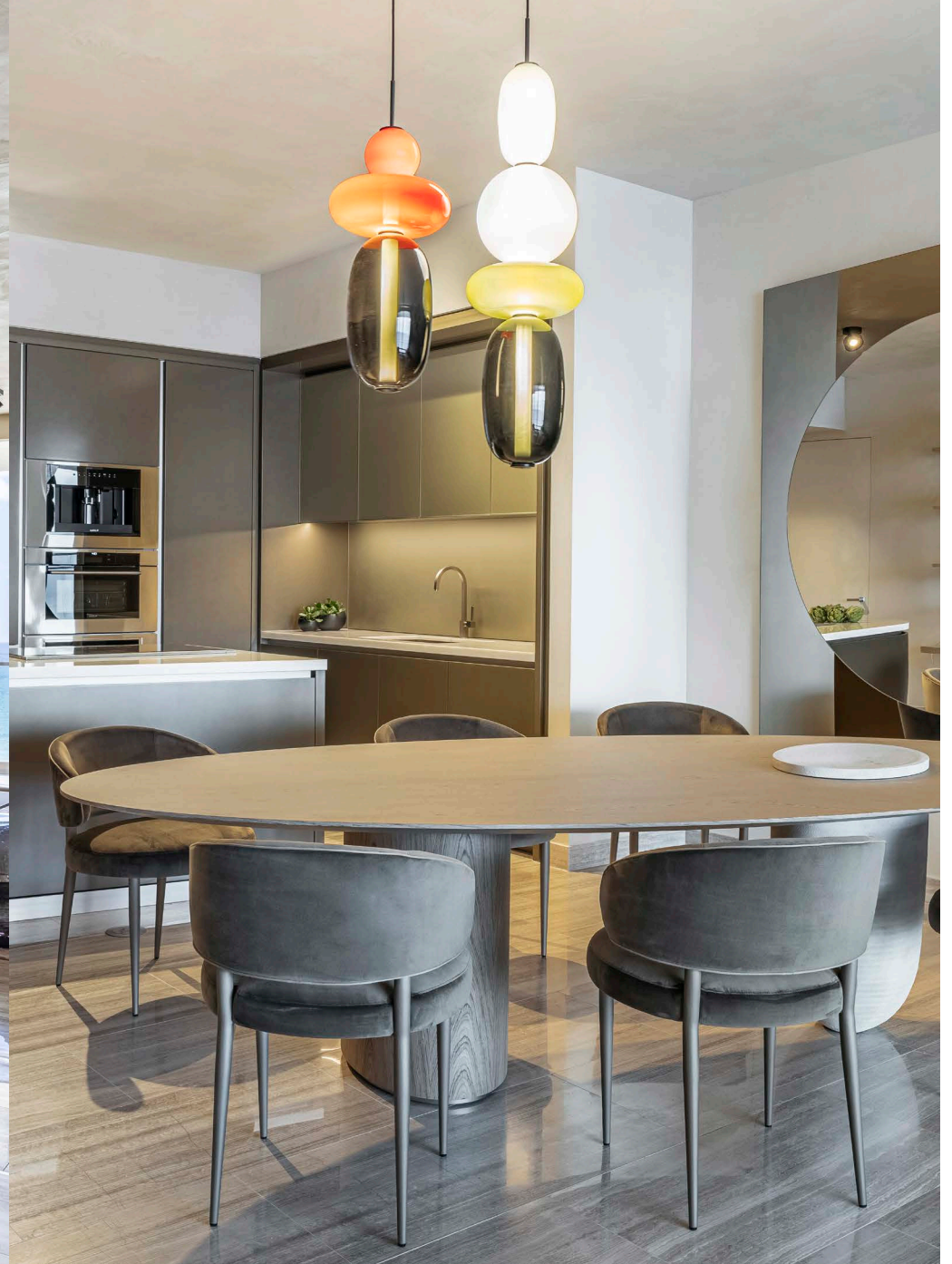
Crestyl showroom, 2020



Minotti catalogue, 2020



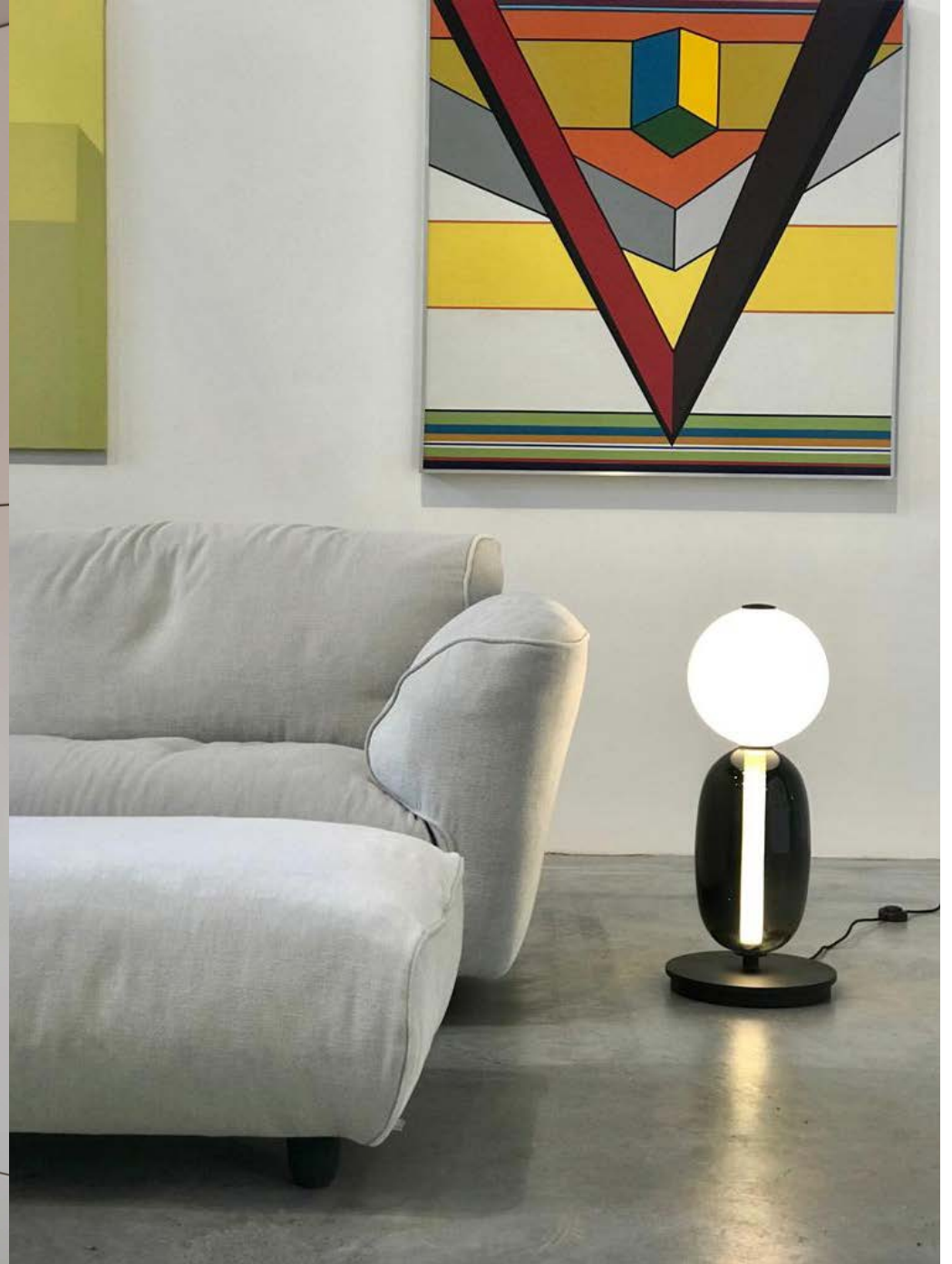
Private residence by Jaegger Interior, 2021



Private residence by Jaegger Interior, 2021



Private residence, Bratislava, 2019



Minotti catalogue, 2020



Visualization by Monument office



Visualization by Monument office

options



configuration 1
black fitting



configuration 2
black fitting



configuration 7
black fitting

Choose among standard configurations or
create your own lighting with Pebbles configurator

Glass options: light grey, white, black, red, green
Fitting options: black

pendant large



configuration 1
black fitting



configuration 4
black fitting



configuration 5
black fitting



configuration 8
black fitting



configuration 9
black fitting

Choose among standard configurations or
create your own lighting with Pebbles configurator

Glass options: light grey, white, black, red, green
Fitting options: black

pendant small



configuration 3
black fitting



configuration 4
black fitting

Choose among standard configurations or
create your own lighting with Pebbles configurator

Glass options: light grey, white, black, red, green
Fitting options: black

floor large



configuration 1
black fitting



configuration 3
black fitting

floor small

Choose among standard configurations or
create your own lighting with Pebbles configurator

Glass options: light grey, white, black, red, green
Fitting options: black

technical informations

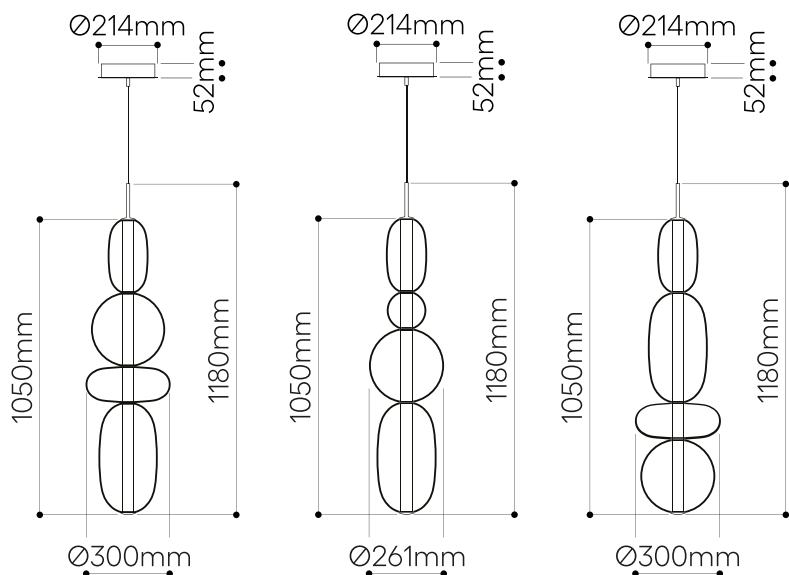
PEBBLES

pendant large

Design by
Boris Klimek

All Bomma products are hand-made from mouth-blown lead-free crystal. Therefore any small bubbles, non-melts and irregularities in the glass are both proof and a characteristic feature of this traditional craft.

The Pebbles Collection is made by underlying colored glass technology. Thanks to the manual process of blowing underlay glass, each piece is an original. Individual products may vary slightly in intensity, hue or even color. This is an accompanying characteristic of the traditional underlay glass technology.



LIGHTING DESCRIPTION

Size	dia 300 mm, H 1180 mm dia. 11,8 inch, H 46,5 inch
Cable	black textile braid cable 2,5 m 98,4 inch
Weight	12 kg / 30 lb
Material	mouth-blown lead-free crystal in black, light grey, white, green and red
Mounting	black matt powder coating
Mounting Materials	aluminium black elox
Mounting Colors	black
Protection	IP 20
Nominal voltage	220-230V / A.C. 50-60 hz (EU) 100-120 V / A.C. 60 Hz (USA)
Class	I. EU / I. USA

LIGHT SOURCE

Type	LED module 25,5W, 3800lm, 500mA, 51V
Base	custom LED module
Voltage	200-240V, AC / 100-140V, AC
Temperature	2700 K
Color index	RA 90+
Dimming	Dimmable with TRIAC dimmers

TRANSFORMER

Mean Well PCD-40-500B (EU)
ERP ESM050W-1050-42 (USA)

PACKAGING

Material	Cardboard
Size	540 × 540 × 1520 mm 21,3 × 21,3 × 59,8 inch

Origin: traditionally produced in the Czech Republic
Intellectual property license holder: Bomma Czech Republic (EU)
represented by Bohemia Machine s.r.o.

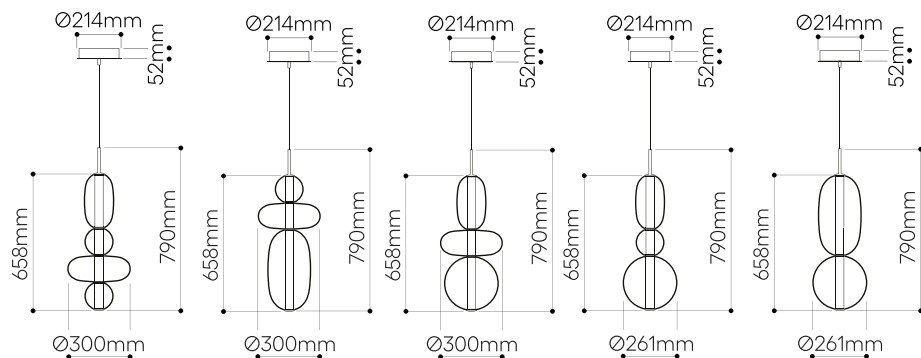
PEBBLES

pendant small

Design by
Boris Klimek

All Bomma products are hand-made from mouth-blown lead-free crystal. Therefore any small bubbles, non-melts and irregularities in the glass are both proof and a characteristic feature of this traditional craft.

The Pebbles Collection is made by underlying colored glass technology. Thanks to the manual process of blowing underlay glass, each piece is an original. Individual products may vary slightly in intensity, hue or even color. This is an accompanying characteristic of the traditional underlay glass technology.



LIGHTING DESCRIPTION

Size	dia 300 mm, H 790 mm dia. 11,8 inch, H 31,1 inch
Cable	black textile braid cable 2,5 m 98,4 inch
Weight	7,5 kg / 16,5 lb
Material	mouth-blown lead-free crystal in black, light grey, white, green and red
Mounting	black matt powder coating
Mounting Materials	aluminium black elox
Mounting Colors	black
Protection	IP 20
Nominal voltage	220-230V / A.C. 50 Hz (EU) 100-120 V / A.C. 60 Hz (USA)
Class	I. EU / I. USA

LIGHT SOURCE

Type	LED module 17,9W, 2680 lm, 350 mA, 51V
Base	custom LED module
Voltage	200-240V, AC / 100-140V, AC
Temperature	2700 K
Color index	RA 90+
Dimming	Dimmable with TRIAC dimmers

TRANSFORMER

Mean Well PCD-25-350B (EU)
Mean Well PCD-25-350A (USA)

PACKAGING

Material	Cardboard
Size	540 × 540 × 1220 mm 21,3 × 21,3 × 40,1 inch

Origin: traditionally produced in the Czech Republic
Intellectual property license holder: Bomma Czech Republic (EU)
represented by Bohemia Machine s.r.o.

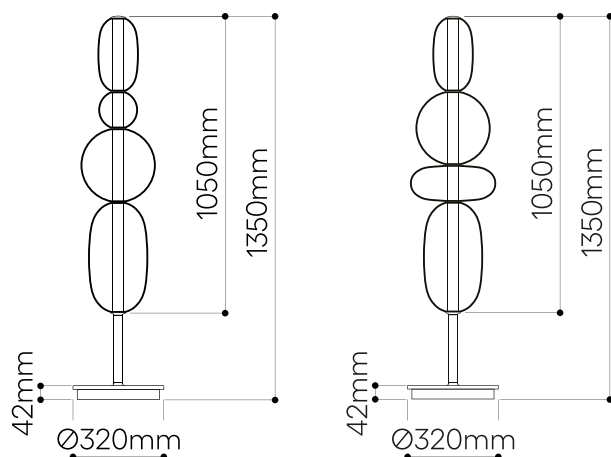
PEBBLES

floor lamp large

Design by
Boris Klimek

All Bomma products are hand-made from mouth-blown lead-free crystal. Therefore any small bubbles, non-melts and irregularities in the glass are both proof and a characteristic feature of this traditional craft.

The Pebbles Collection is made by underlying colored glass technology. Thanks to the manual process of blowing underlay glass, each piece is an original. Individual products may vary slightly in intensity, hue or even color. This is an accompanying characteristic of the traditional underlay glass technology.



LIGHTING DESCRIPTION

Size	dia 320 mm, H 1350 mm dia. 12,6 inch, H 53,15 inch
Cable	black textile braid cable 3 m / 118 inch
Weight	28 kg / 61,6 lb
Material	mouth-blown lead-free crystal in black, light grey, white, green and red
Mounting	black matt powder coating
Mounting Materials	aluminium black elox
Mounting Colors	black
Protection	IP 20
Nominal voltage	220-230V A.C. 50-60 hz (EU) 100-120 V A.C. 60 Hz (USA)
Class	I. EU / I. USA

LIGHT SOURCE

Type	LED module 25,5W, 3800lm, 500mA, 51V
Base	custom LED module
Voltage	200-240V, AC / 100-140V, AC
Temperature	2700 K
Color index	RA 90+
Dimming	Dimmable with TRIAC dimmers. Dimmer within the power cable.

TRANSFORMER

Mean Well PCD-40-500B (EU)
ERP ESM050W-1050-42 (USA)

PACKAGING

Material	Cardboard
Size - Two boxes	540 × 540 × 1520 mm 21,3 × 21,3 × 59,8 inch

Origin: traditionally produced in the Czech Republic
Intellectual property license holder: Bomma Czech Republic (EU)
represented by Bohemia Machine s.r.o.

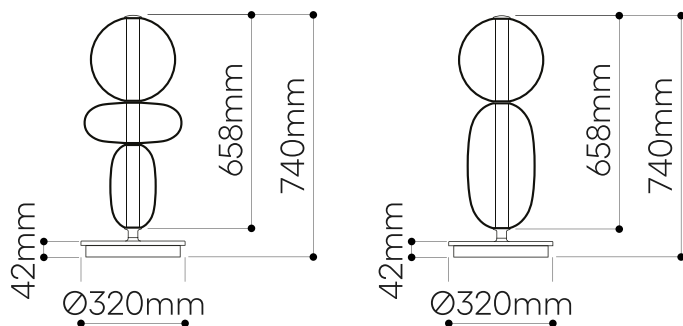
PEBBLES

floor lamp small

Design by
Boris Klimek

All Bomma products are hand-made from mouth-blown lead-free crystal. Therefore any small bubbles, non-melts and irregularities in the glass are both proof and a characteristic feature of this traditional craft.

The Pebbles Collection is made by underlying colored glass technology. Thanks to the manual process of blowing underlay glass, each piece is an original. Individual products may vary slightly in intensity, hue or even color. This is an accompanying characteristic of the traditional underlay glass technology.



LIGHTING DESCRIPTION

Size	dia 320 mm, H 740 mm dia. 12,6 inch, H 29 inch
Cable	black textile braid cable 3 m / 118 inch
Weight	18 kg / 45 lb
Material	mouth-blown lead-free crystal in black, light grey, white, green and red
Mounting	black matt powder coating
Mounting Materials	aluminium black elox
Mounting Colors	black
Protection	IP 20
Nominal voltage	220-230V / A.C. 50 hz (EU) 100-120 V / A.C. 60 Hz (USA)
Class	I. EU / I. USA

LIGHT SOURCE

Type	LED module 17,9W, 2680 lm, 350 mA, 51V
Base	custom LED module
Voltage	200-240V, AC / 100-140V, AC
Temperature	2700 K
Color index	RA 90+
Dimming	Dimmable with TRIAC dimmers. Dimmer within the power cable.

TRANSFORMER

Mean Well PCD-25-350B (EU)
Mean Well PCD-25-350A (USA)

PACKAGING

Material	Cardboard
Size - Two boxes	540 × 540 × 1220 mm 21,3 × 21,3 × 40,1 inch

Origin: traditionally produced in the Czech Republic
Intellectual property license holder: Bomma Czech Republic (EU)
represented by Bohemia Machine s.r.o.

BMRC Group s.r.o.
Hvězdova 1716/2b,
Prague 4, 140 00,
Czech Republic

info@bomma.cz

step beyond