

Il Colonnato

Marble

dining table Ø165

4 legs,

by Mario Bellini

kettal

Marble dining table Ø165 4 legs

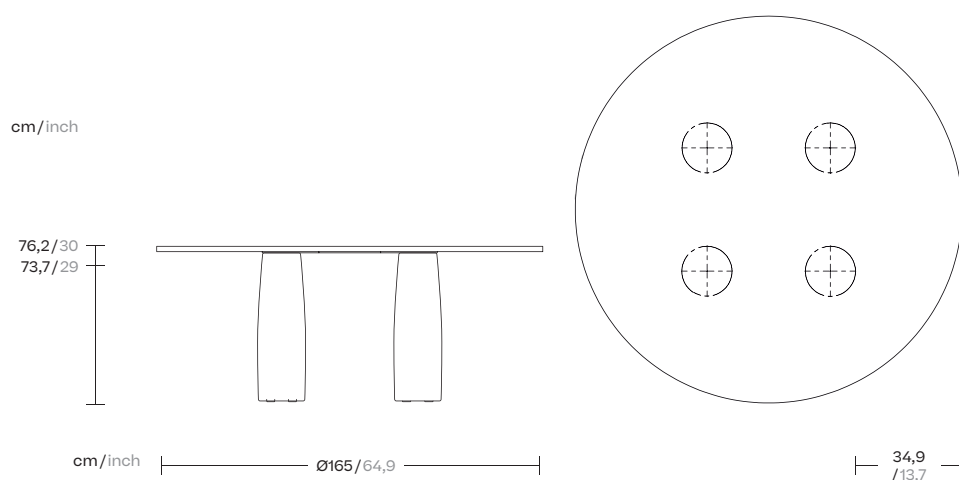
Designer
Mario Bellini

Collection
Il Colonnato

Reference
KSA1-018-00

1/2

In this project, Mario Bellini took his inspiration from a basic elemental structure in architecture. His design emulated the colonnade of classical architecture, in which a sequence of columns supports a portico, in this case a table top. The base is a visually closed volume, despite being materially open. When seen from a different viewpoint, perception changes completely, as the columns no longer overlap and the space appears empty.



kettal

Marble dining table Ø165 4 legs

Designer
Mario Bellini

Collection
Il Colonnato

Reference
KSA1-018-00

2/2

Materials

Marble

Antioxy, Mold resistant, Easy
Clean, Restist U.V., X-Temperature

Colour Options

Marble



Marble
079

Maintenance

Clean with mild soap using
sponge or cloth. Be gentle
while cleaning, do not scrub
aggressively the fabric. Once
cleaned please make sure you
remove soap excess.

In case of aggressive stains
clean with diluted household
bleach.

Clean stains promptly. The
longer it remains, more difficult
will be to remove.

Once cleaned the fabric steam
iron the fabric. Just use steam,
be carefull NOT placeing the
iron directly in the fabric it will
get damage.