

Oxbend Bench

Dimensions:

Seat: 48", 60", or 72" wide x 17" deep x 16.5" high at front

Overall Footprint: add 2" to seat width, 19" deep

Backrest: 29.5" high at center, 30" high on ends

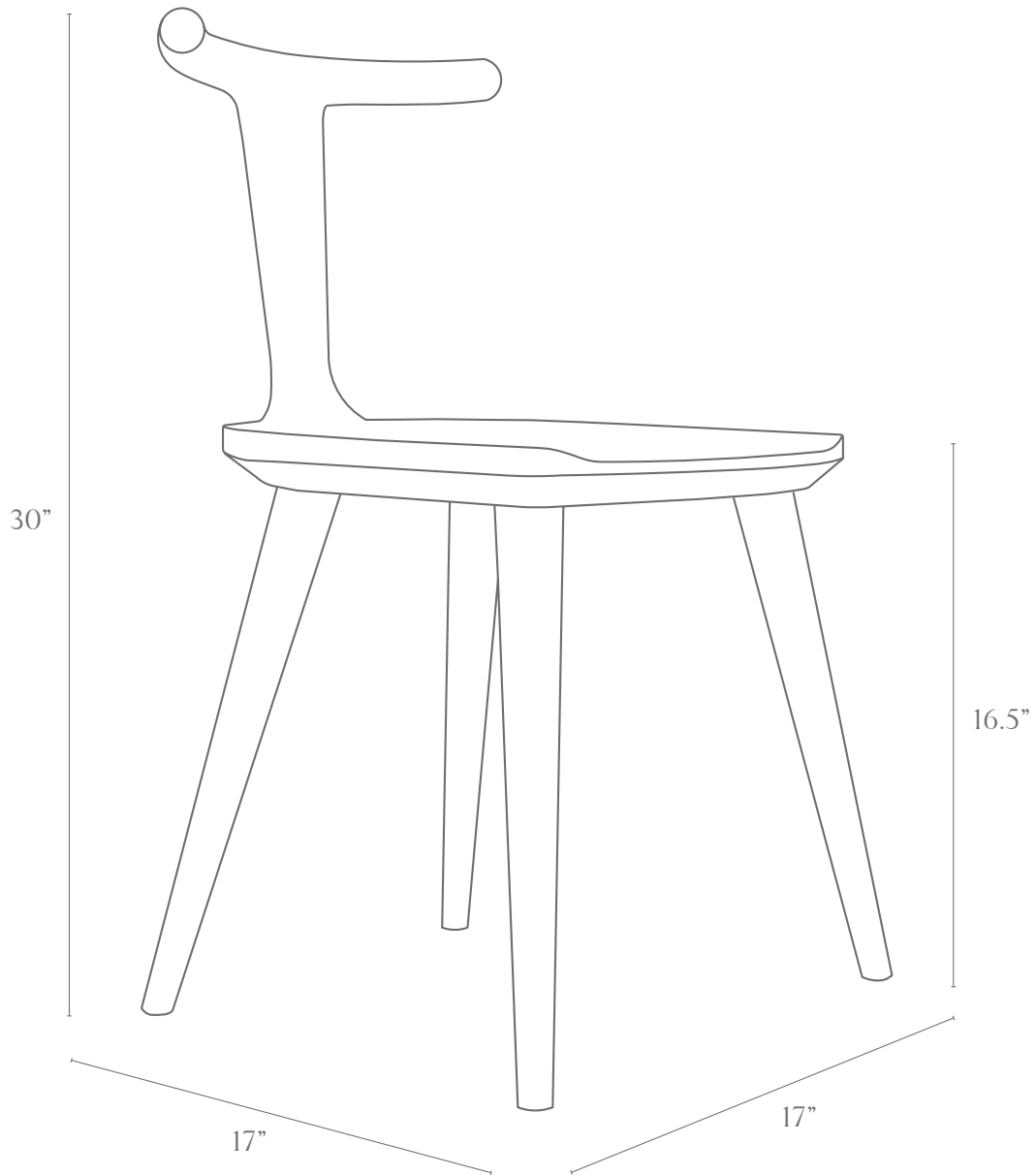
Wood Options: walnut, charcoal ash, white ash



justin@fernwehwoodworking.com

541-241-2257

Terms: All pieces made to order—inquire for current lead time. Made from domestic hardwoods with VOC-free finish.



Oxbend Chair

Dimensions:

Seat: 17" wide x 17" deep x 16.5" high at front

Backrest: 29.5" high at center, 30" high on ends

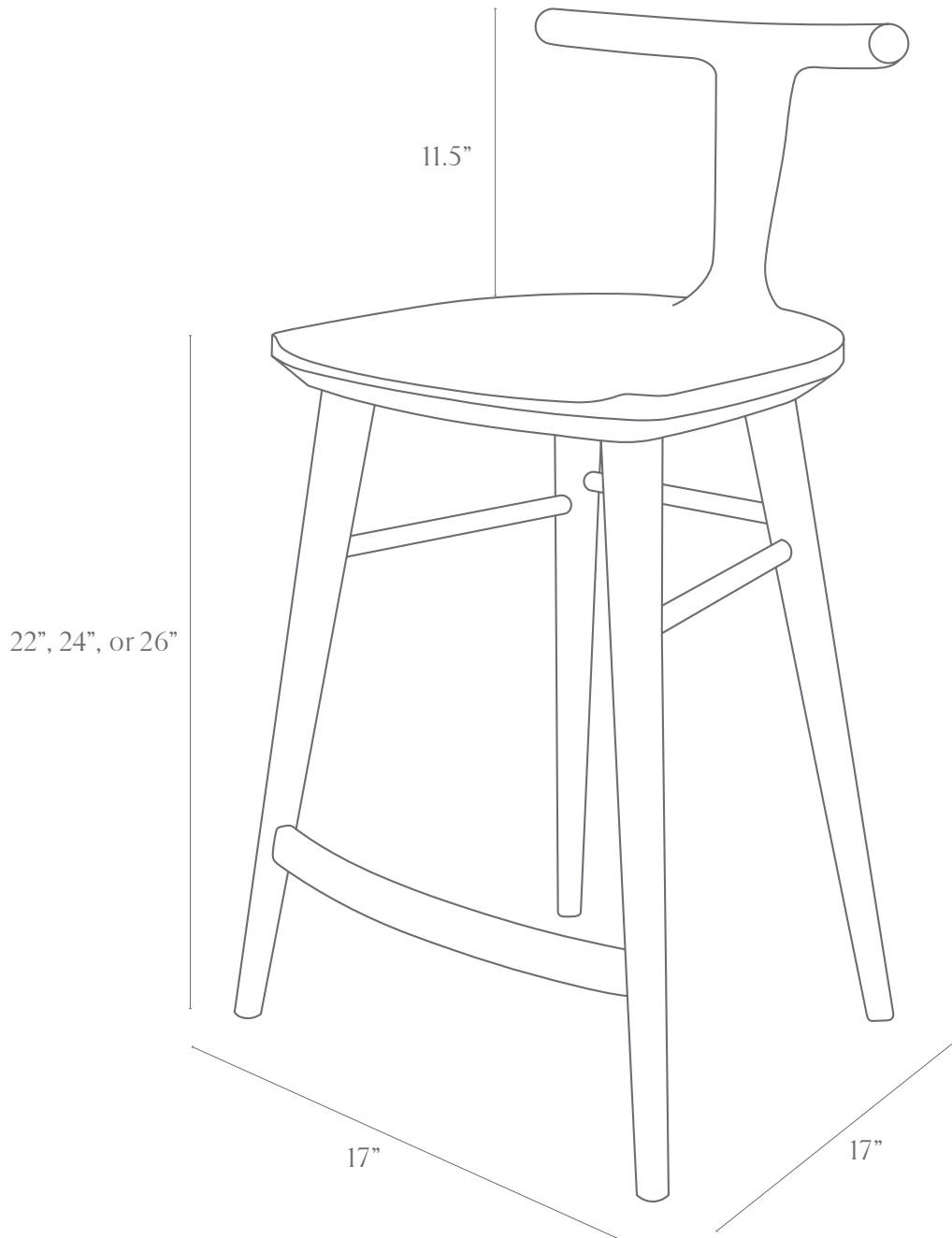
Wood Options: walnut, charcoal ash, white ash



justin@fernwehwoodworking.com

541-241-2257

Terms: All pieces made to order—inquire for current lead time. Made from domestic hardwoods with VOC-free finish.



Oxbend Stool

Dimensions:

Seat: 17" wide x 17" deep x (customizable) high at front

Backrest: 11.5" higher than seat

Wood Options: walnut, charcoal ash, white ash

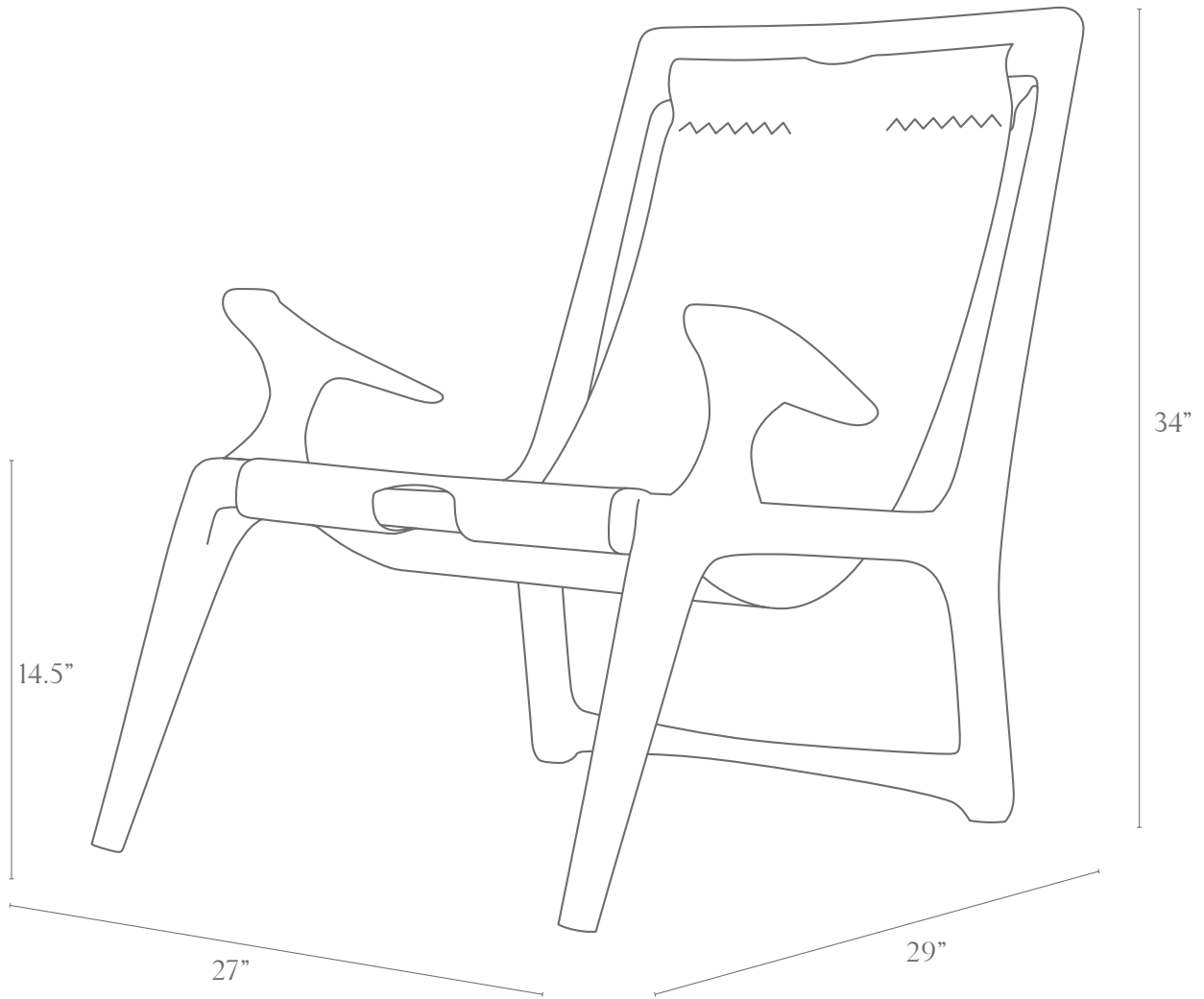
Seat Height Options: 22", 24" (pictured), 26"



justin@fernwehwoodworking.com

541-241-2257

Terms: All pieces made to order—inquire for current lead time. Made from domestic hardwoods with VOC-free finish.



The Sling Chair

Dimensions:

Total width: 27 inches x height: 34 inches

Front legs to back legs: 29 inches - since the seat leans back, there are about 5 additional inches of depth behind the back legs

Wood Options: walnut, charcoal ash, white ash

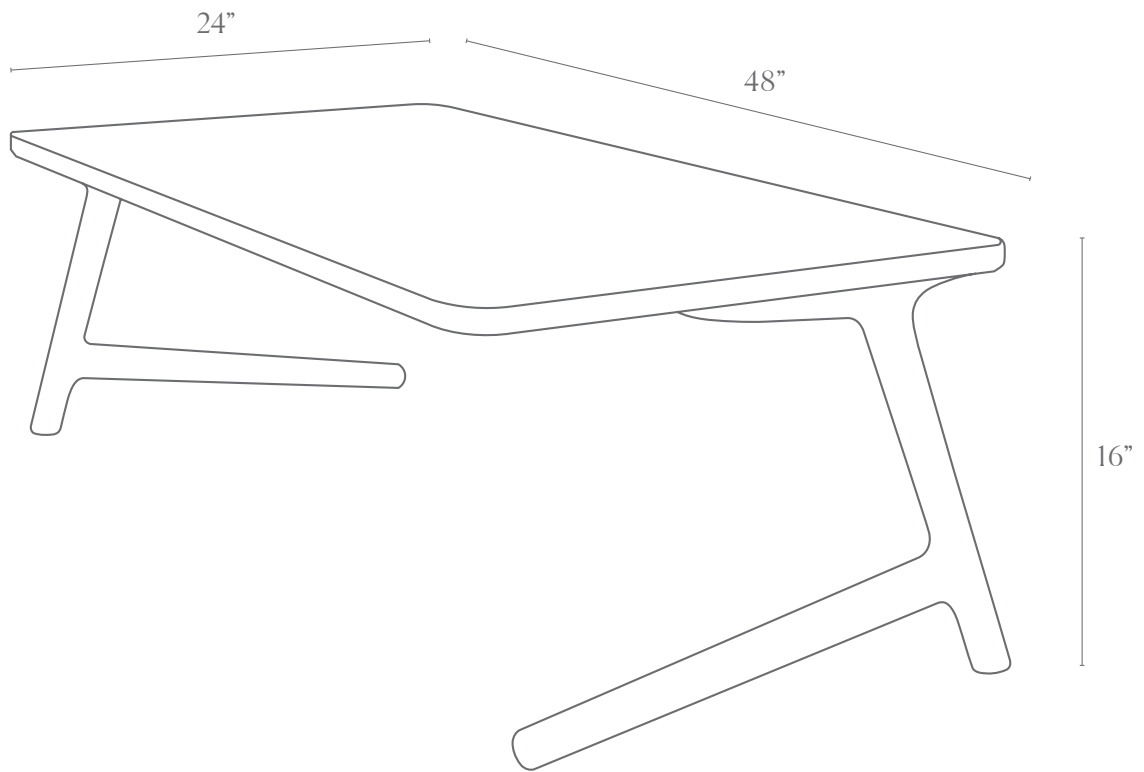
Sling Options: leather sling, black; leather sling, brown;



justin@fernwehwoodworking.com

541-241-2257

Terms: All pieces made to order—inquire for current lead time. Made from domestic hardwoods with VOC-free finish.



The Coffee Table

Dimensions:

24" wide x 48" long x 16" tall

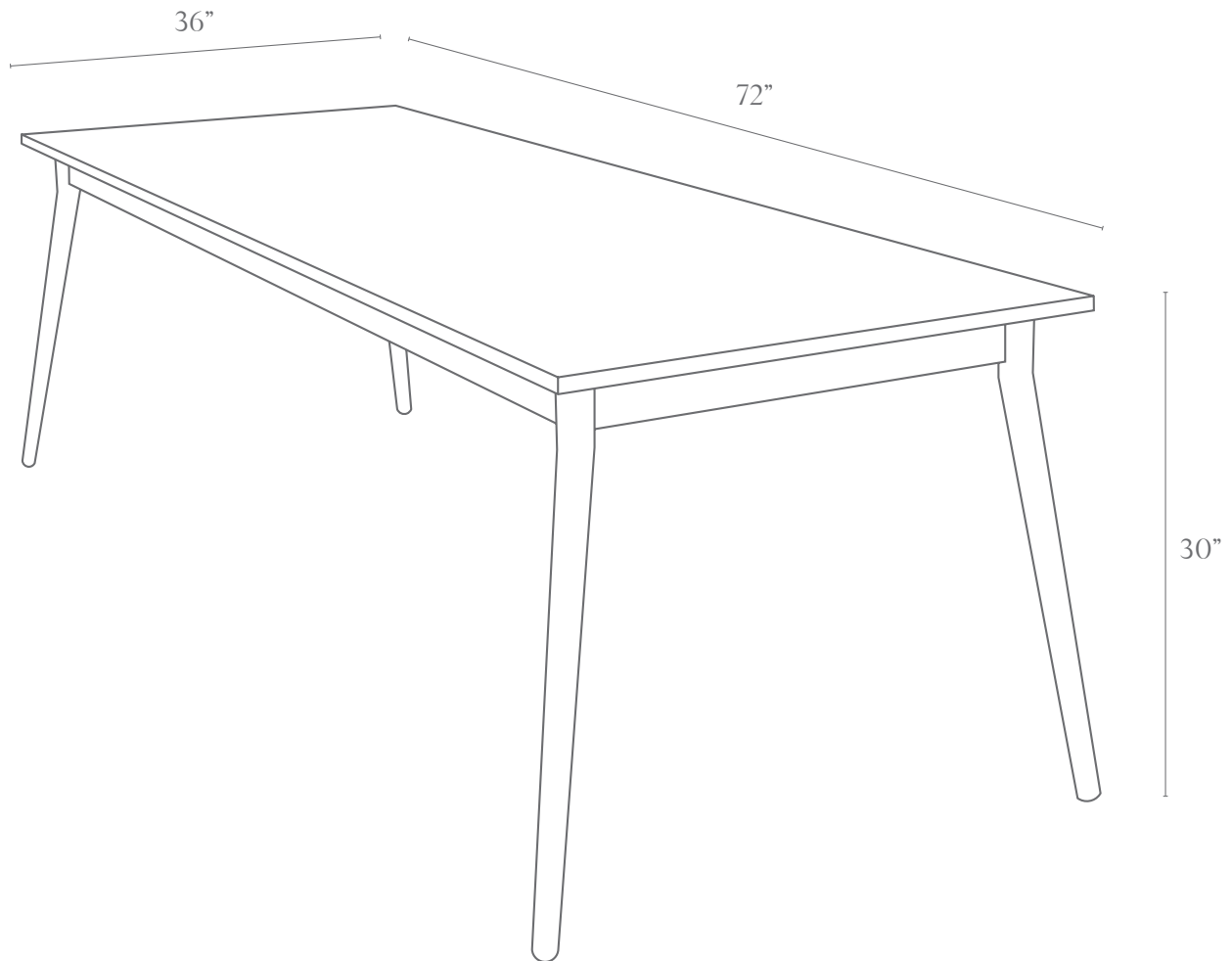
Options: walnut, charcoal ash, white ash



justin@fernwehwoodworking.com

541-241-2257

Terms: All pieces made to order—inquire for current lead time. Made from domestic hardwoods with VOC-free finish.



The Dining Table

Dimensions:

Unless otherwise specified: 36" wide x 72" long x
30" tall

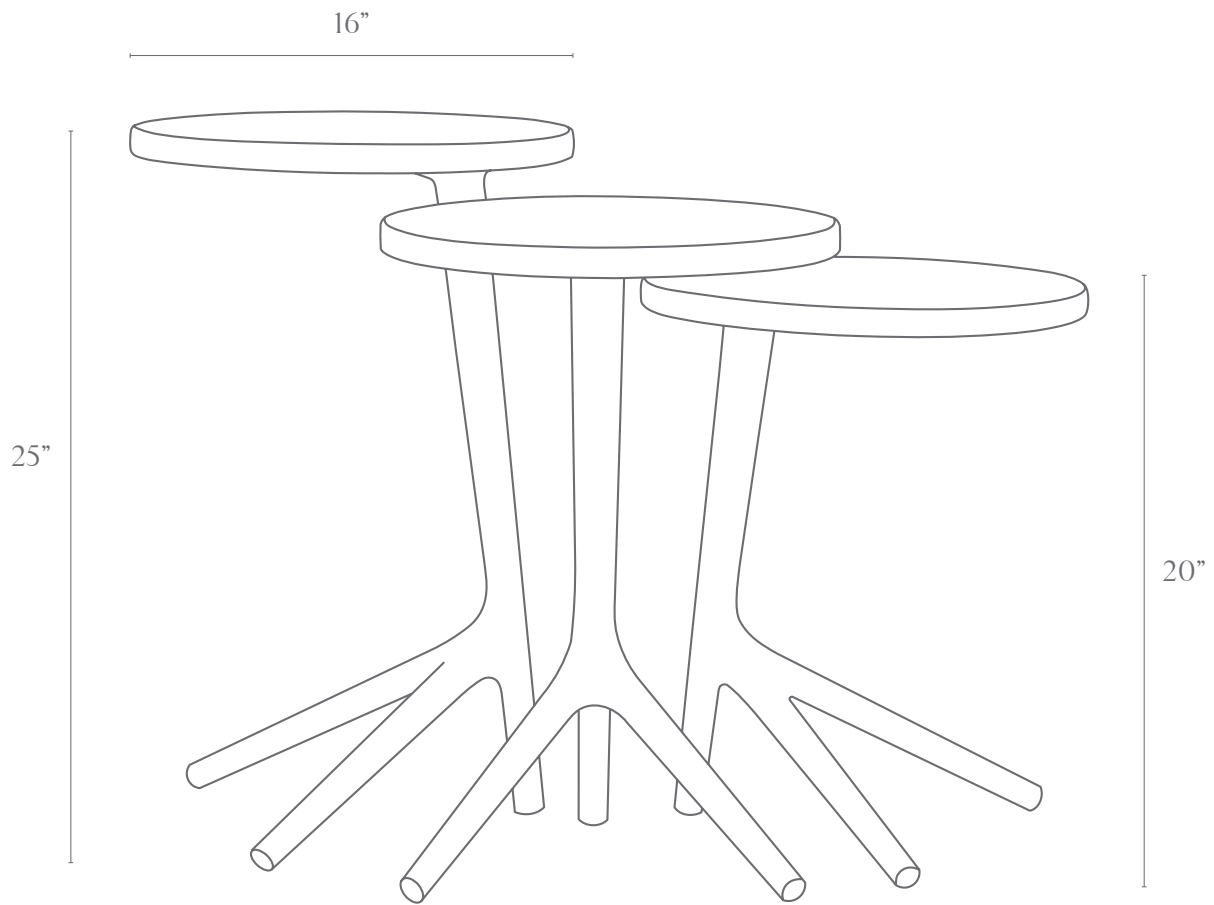
Wood Options: walnut, charcoal ash, white ash



justin@fernwehwoodworking.com

541-241-2257

Terms: All pieces made to order—inquire for current lead time. Made from domestic hardwoods with VOC-free finish.



The Tripod Table

Dimensions:

16" x 16" x Option: 20" short, 22.5" medium, or 25" tall

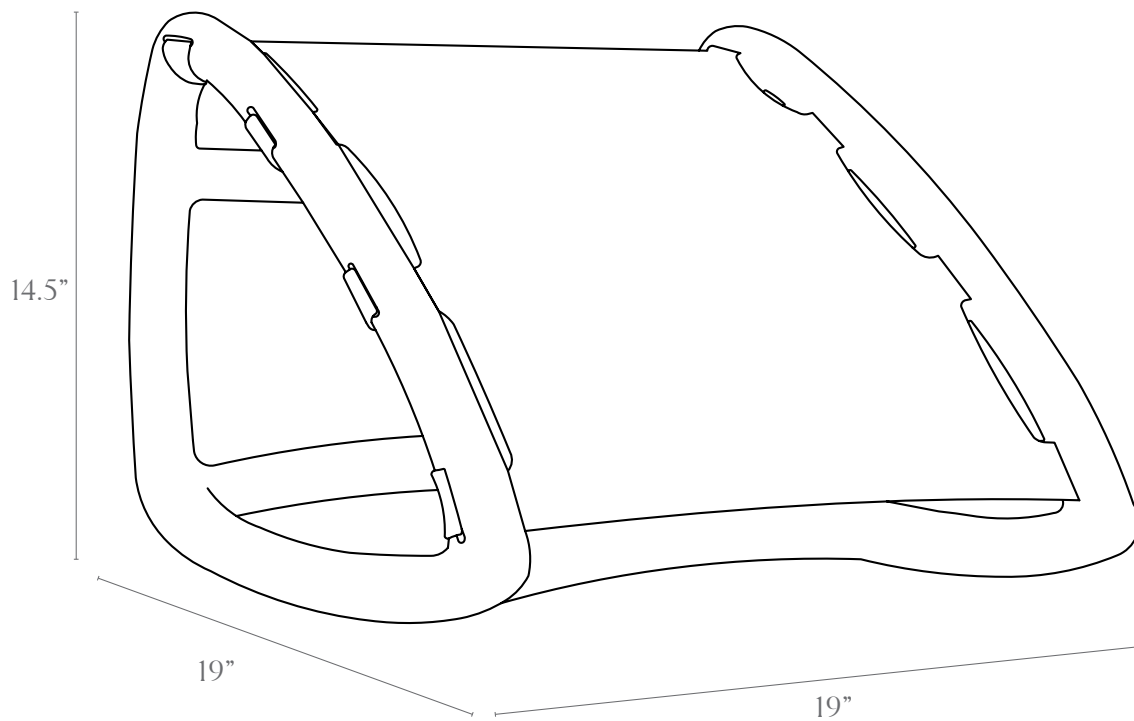
Wood Options: walnut, charcoal ash, white ash



justin@fernwehwoodworking.com

541-241-2257

Terms: All pieces made to order—inquire for current lead time. Made from domestic hardwoods with VOC-free finish.



Ottoman

Dimensions:

19" wide x 19" long x 14.5" tall

Wood Options: walnut, charcoal ash, white ash

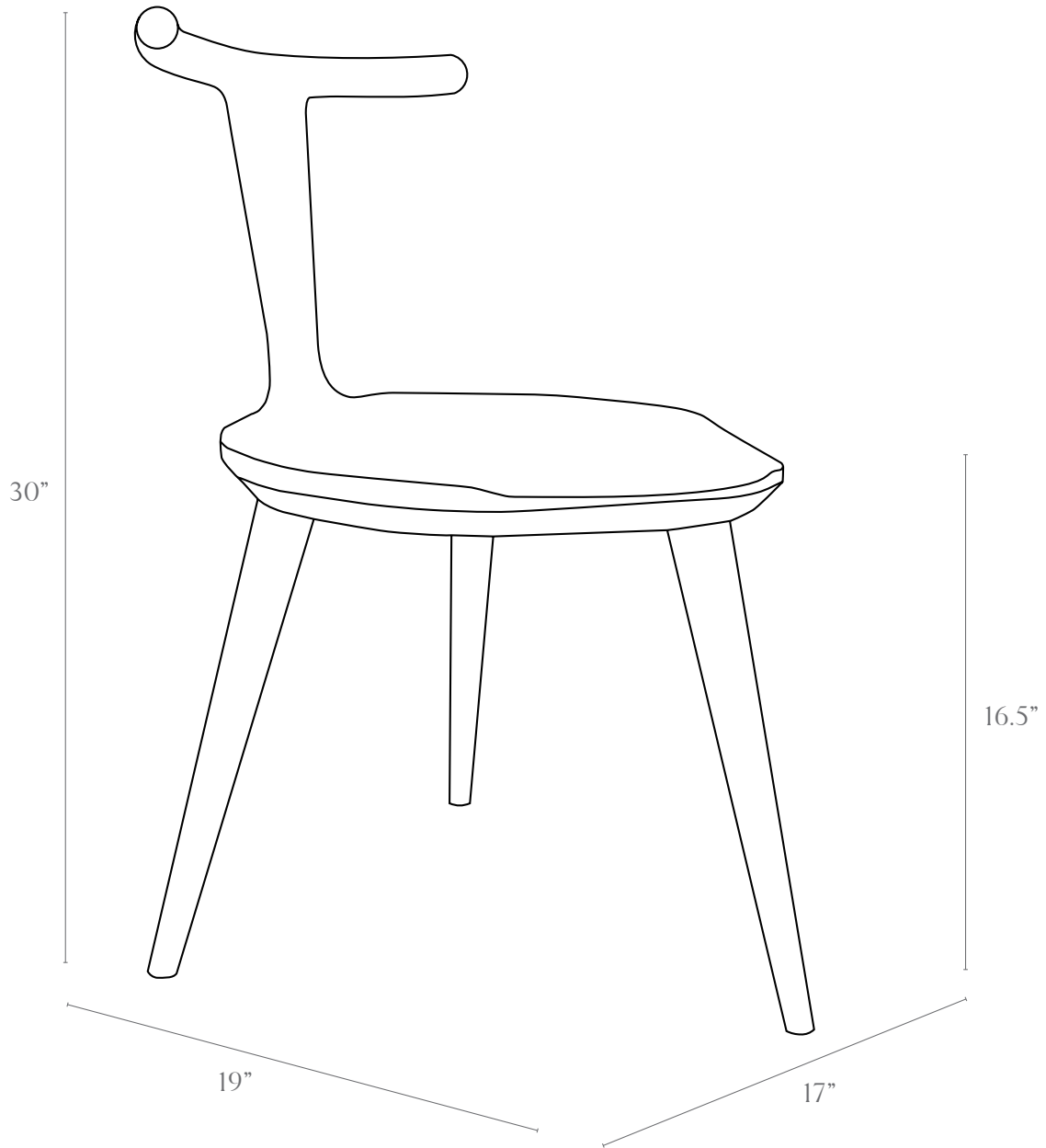
Leather Options: black, brown



justin@fernwehwoodworking.com

541-241-2257

Terms: All pieces made to order—inquire for current lead time. Made from domestic hardwoods with VOC-free finish.



Oxbend Chair 3-Legged

Dimensions:

19" deep x 17" wide x 30" tall

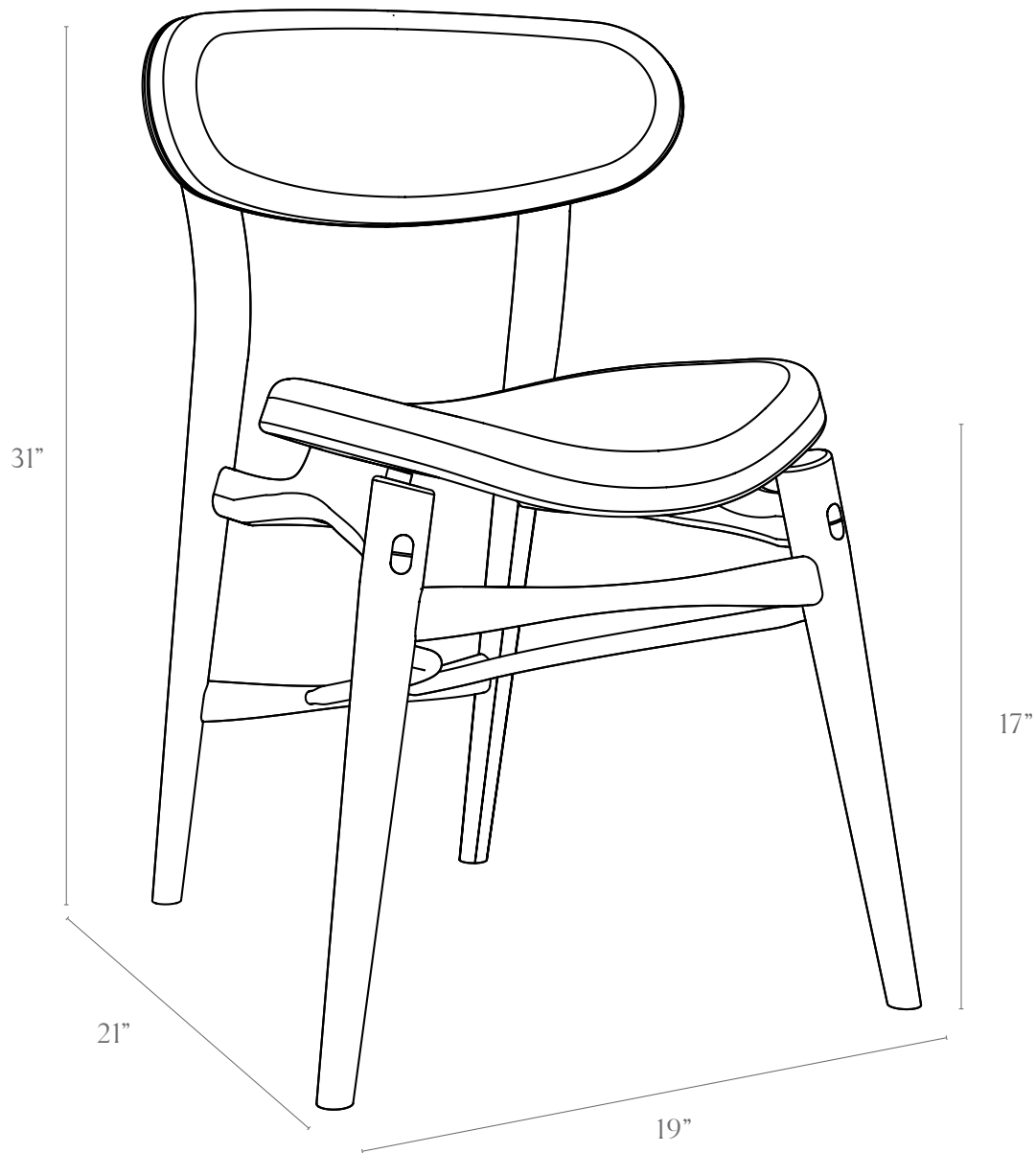
Wood Options: walnut, charcoal ash, white ash



justin@fernwehwoodworking.com

541-241-2257

Terms: All pieces made to order—inquire for current lead time. Made from domestic hardwoods with VOC-free finish.



Fjoon Chair

Dimensions:

21" total depth, 17.5" seat depth x 19" wide x 31" tall

Wood Options: walnut, charcoal ash, white ash

Upholstery Options - Leather or Textile

Sørensen Leather

"Walnut" - Elegance 20195

"Black" - Envy 20321

"Olive" - Envy 20324

"Nubuck Ecu" - Royal Nubuck Ecu - 30253

"Saddle Tan" - Rustic - 23166

Kvadrat Textiles

"Charcoal Felt Wool" - Divina Melange3 -180

"Gray Woven Wool" - Hallingdal 65 - 130

"Charcoal/Brown Woven Wool" - Hallingdal 65 - 0376

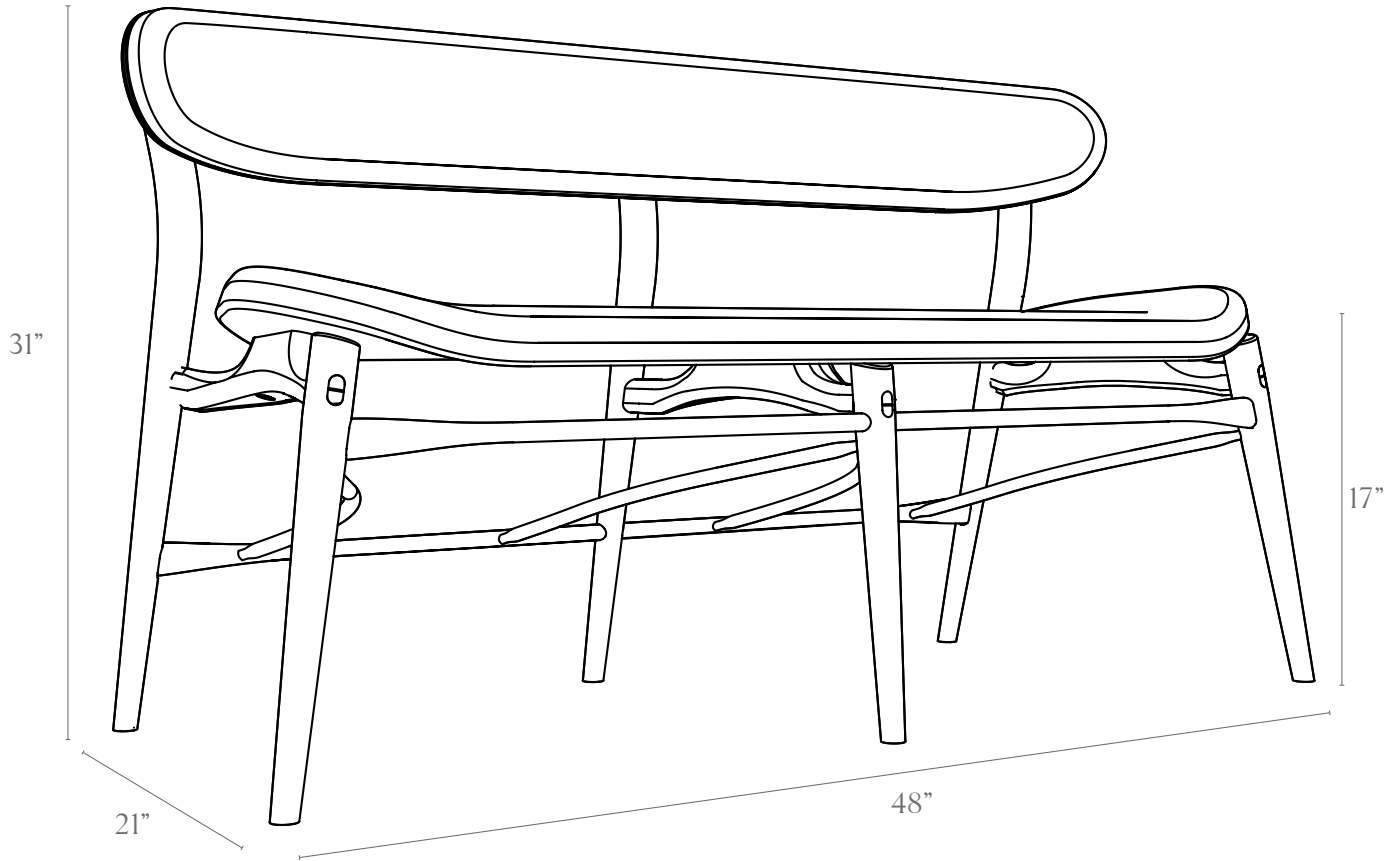
"Beige Tight Weave Wool Blend" - Remix 3 - 223

"Blush Taupe Woven Wool" - Tonica 2 -533



justin@fernwehwoodworking.com
541-241-2257

Terms: All pieces made to order—inquire for current lead time. Made from domestic hardwoods with VOC-free finish.



Fjoon Bench

Dimensions:

21" total depth, 17.5" seat depth x 48" wide x 31" tall

Wood Options: walnut, charcoal ash, white ash

Upholstery Options - Leather or Textile

Sørensen Leather

"Walnut" - Elegance 20195

"Black" - Envy 20321

"Olive" - Envy 20324

"Nubuck Ecu" - Royal Nubuck Ecu - 30253

"Saddle Tan" - Rustic - 23166

Kvadrat Textiles

"Charcoal Felt Wool" - Divina Melange3 -180

"Gray Woven Wool" - Hallingdal 65 - 130

"Charcoal/Brown Woven Wool" - Hallingdal 65 - 0376

"Beige Tight Weave Wool Blend" - Remix 3 - 223

"Blush Taupe Woven Wool" - Tonica 2 -533



justin@fernwehwoodworking.com

541-241-2257

Terms: All pieces made to order—inquire for current lead time. Made from domestic hardwoods with VOC-free finish.