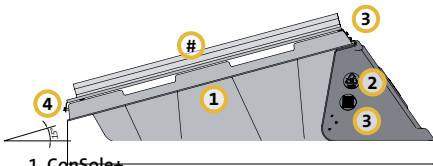
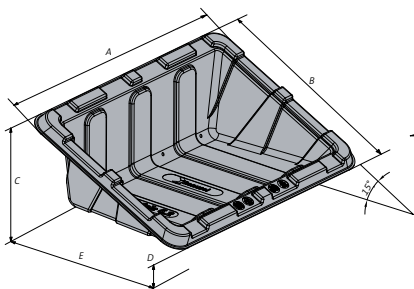


CONSOLE WITH 15° ANGLE OF INCLINATION = CONSOLE+

1.



- 1 ConSole+
- 2 Streamliner+
- 3 Pan-head screws with drill bit
- 4 Mounting rail with fastening material
- # Solar module

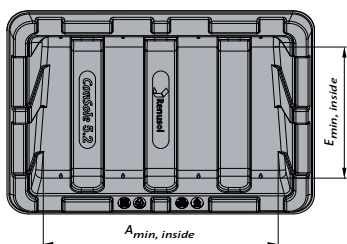


Table for calculating the suitable combination ConSole+/PV module

Hole spacing $d = \text{mm}$	ConSole+
880–1014	●

Recommended measurement of ConSole+/PV module

Measurement	A mm	B mm	C mm	D mm	E mm	$A_{\text{min, inside}} \times E_{\text{min, inside}}$ mm	Installation area m^2	Building protection mat mm
ConSole+	1730	1080	400	70	1040	1370 x 800	1.1	approx. 1500 x 900

ConSole+

Flat-roof mounting system for PV modules

ConSole+ is mounted like the regular ConSole. Please note the
 – assembly preparation, item 1, page 4
 – distances between ConSole rows, item 3, page 5
 in the ConSole installation manual.

Minimum distance between ConSole+ rows
 > 0.6 m

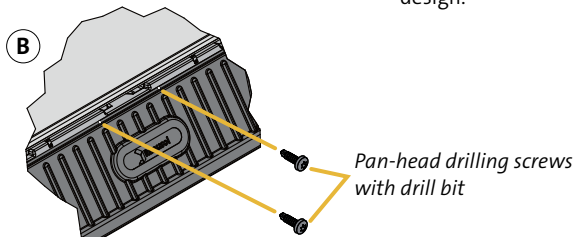
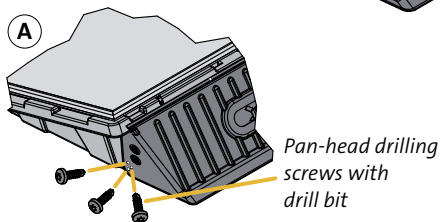
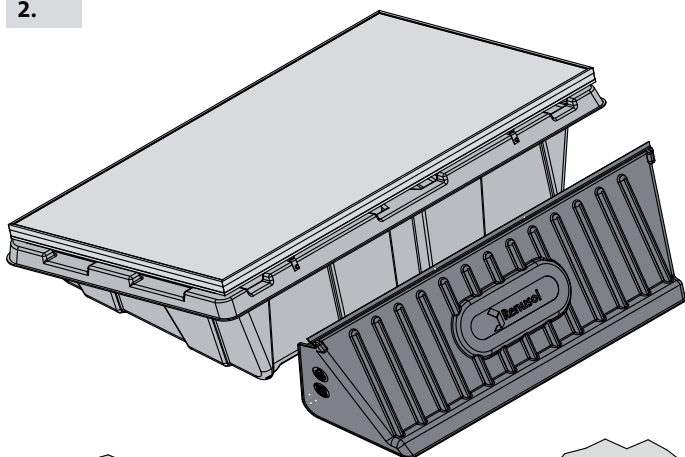
Important

Our application technology team would be happy to advise you for the exact determination of the ballasting. Soon, determining the ballasting will also be possible via our online configurator.

The optional mounting of the Streamliner+ on the ConSole+ is described below.

Weight ConSole+ (without Ballast) approx. 7kg
 Weight Streamliner+ approx. 2 kg

2.



Optional assembly of Streamliner+ on ConSole+

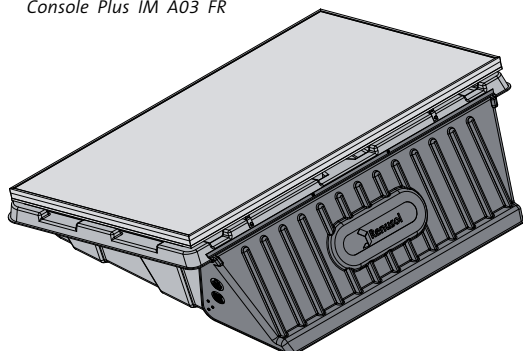
The Streamliner+ is required for the external wind-exposed sides of the ConSole+.
 Position the Streamliner+ at the rear wall of the ConSole+; fasten it to the ConSole+ at the lower area of the side walls (fig. A) and at the upper edge of the Streamliner+ (fig. B) at the markings with the included pan-head drilling screws.

Note

The amount and the position of the inserted Streamliner+ is defined by the project design.

3.

Console Plus IM A03 FR



Assembly completed

Installation result: Streamliner+ mounted on ConSole+.

General notes

Observe the respective applicable local standards, rules and regulations for the building trade and roofs during installation!
 Especially in case of public building projects and buildings, please check the legal regulations and whether building protection measures are required.