

SolRack aluminum

The universal loading solution especially for roofs with gravel loading

- The material is approved according to the Building Rules List
- Optimized shape of the upper corrugations
- The material is corrosion-resistant and has a stable value
- Can be mounted swiftly
- Good drainage effect especially for vegetated roofs

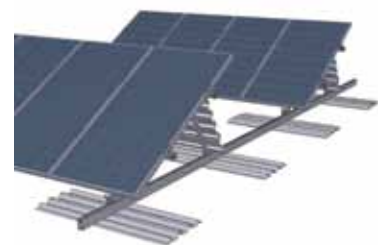


SolRack Alu can be optimally combined with the well-proven Schletter fastening systems for flat roofs. The durable plate made of canted aluminum sheet metal is manufactured by Schletter in the geometry that has been designed especially for that purpose. If there is already gravel on the roof, this gravel can be used for loading the aluminum plates. Alternatively, the plate can also be loaded with concrete weights (for example sidewalk plates). The plates must not be mounted lengthwise under the support!



Mounting examples

- One flat roof support Profi vertically on two plates
- One horizontally installed flat roof support on one plate (only possible with the CompactVario system in order to reduce the danger of "overturning").



CompactVario

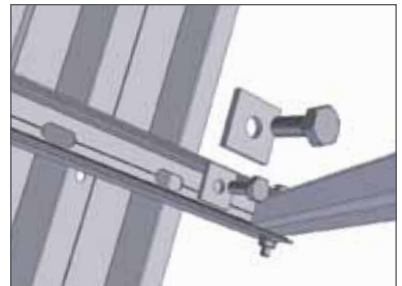
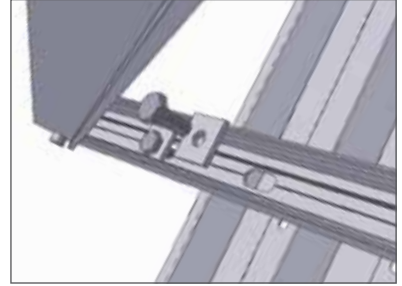
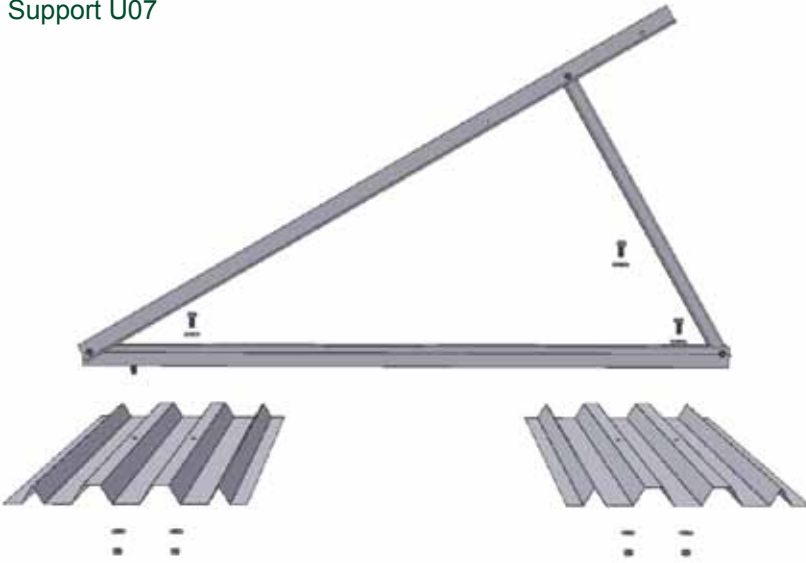
Technical data

Material	Aluminium AlMg3, about 455 x about 1200 (0.55 m ²) x about 1mm (34mm total)
Calculation and ordering	Calculation and/or ordering can be done using our auto-calculator software, for example.
Structural analysis and loading	According to system structural analysis acc. to DIN 1055 and Eurocode 1
Weight of the gravel loading	Evenly filled grooves: about 16kg per plate about 10 kg per plate per additional cm of fill
160002-001	SolRack Alu (1 plate)
Accessories (not included)	
2 pcs. 943410-025	Square head screws M10x25
2 pcs. 943912-010	Flange nuts M10 with locking teeth DIN6923
2 pcs. 943922-010	Washers M10 (big) DIN9021 VA

System prices can be obtained quickly and easily with our auto-calculator!
Further information at www.schletter.eu

Mounting information

Support U07



Support N07

