



## TS4-A-O

### PV Module Advanced Add-On/Retrofit

The TS4-A-O (Optimization) is the advanced add-on/retrofit optimization solution that brings smart module functionality to standard PV modules for higher reliability. Improve energy efficiency by upgrading underperforming PV systems or adding smart features to new installations.

The TS4-A-O with UHD-Core technology and expanded specifications supports PV modules up to 500W.

### Included Features



Optimization

Module-level **optimization** for increased energy yield and greater design flexibility



Safety

Enhanced **safety** for NEC 690.12 rapid shutdown compliance



Monitoring

Module-level **monitoring** for energy production tracking and system management

### Easy Installation

Snap to standard module frame or remove brackets for rack mounting

### Smart Commissioning

Configure and commission with your Android or iOS mobile device



# TS4-A-O SPECIFICATIONS

## Environmental

Operating Temperature Range -40°C to +85°C (-40°F to +158°F)

Outdoor Rating IP68, NEMA 3R

## Mechanical

Dimensions 138.4mm x 139.7mm x 22.9mm

Weight 490g

## Electrical

Voltage Range 16 - 90V

Maximum Continuous Input Current (I<sub>MAX</sub>) 12A

Maximum Power 500W

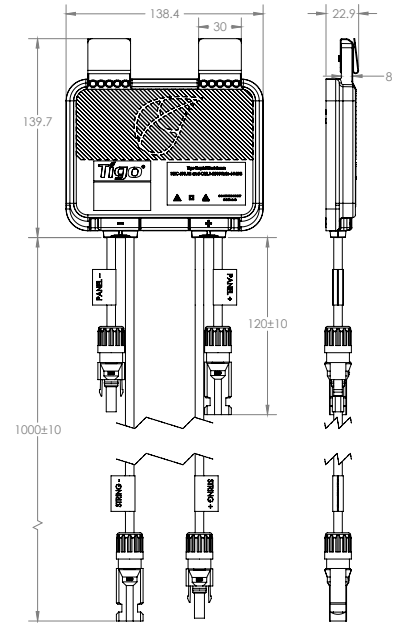
Output Cable Length 1m (standard)

Connectors MC4 compatible (standard)

Communication Type Wireless

Rapid Shutdown UL Listed (NEC 2014 & 2017 690.12) Yes

Cloud Connect Advanced (CCA) and TAP (Gateway) required for rapid shutdown with TS4-A-O.



## ORDERING INFORMATION

### Standard

451-00257-00 1000V UL / TÜV, 1m cable, MC4 compatible

### Options

451-00252-12 1000V UL / TÜV, 1m cable, MC4

451-00257-12 1000V UL / TÜV, 1.2m cable, MC4 compatible

451-00252-32 1000V UL / TÜV, 1.2m cable, MC4

451-00261-12 1500V UL / TÜV, 1m cable, EVO2

451-00261-32 1500V UL / TÜV, 1.2m cable, EVO2

### For sales info:

[sales@tigoenergy.com](mailto:sales@tigoenergy.com) or 1.408.402.0802

### For product info:

Visit [tigoenergy.com/products](http://tigoenergy.com/products)

### For technical info:

Visit [support.tigoenergy.com](http://support.tigoenergy.com)

For additional info and product selection assistance, use Tigo's online design tool at [tigoenergy.com/design](http://tigoenergy.com/design)

