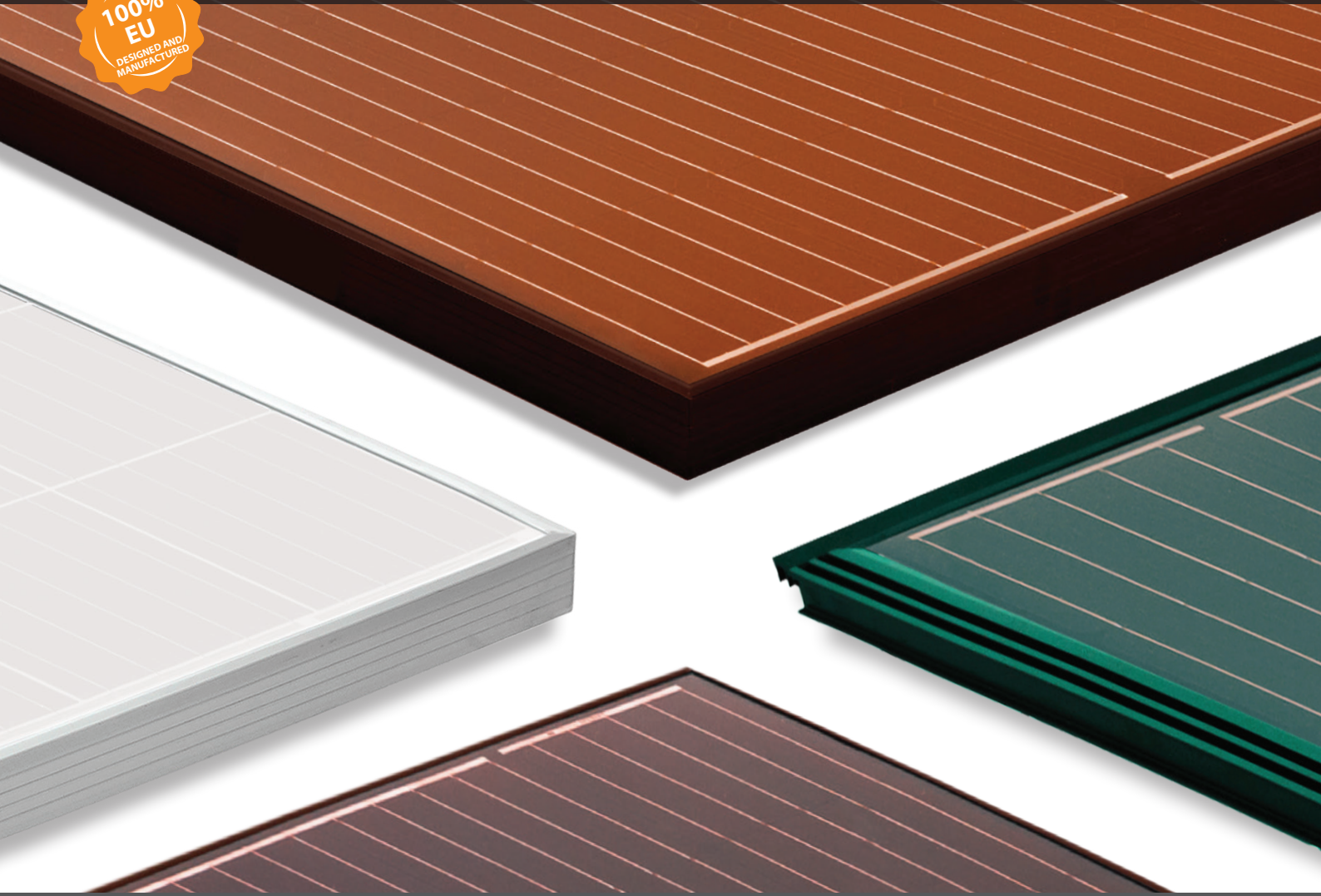


PREMIUM

BISOL Spectrum

Monocrystalline PV Modules with coloured glass



Designed & manufactured in EU



Module presorting for higher profitability



Double insulation



PID free

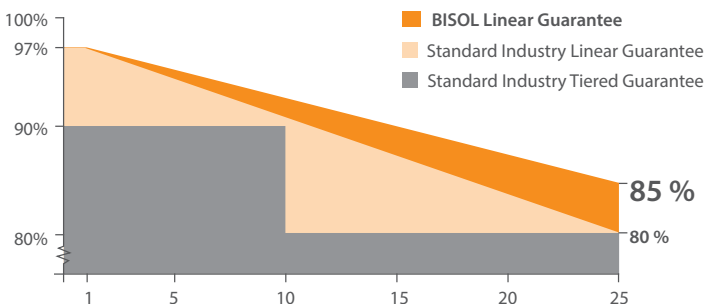


A perfect colour match to your roof



Excellent low light performance

Guarantees:



Linear guarantee 85% power output in 25th year



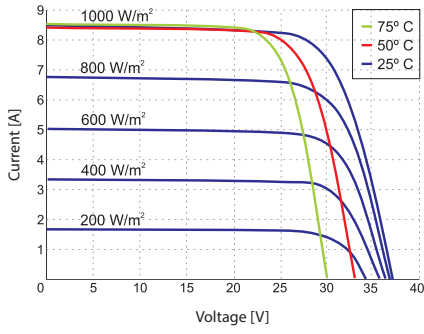
Product guarantee 15 years

In compliance with:

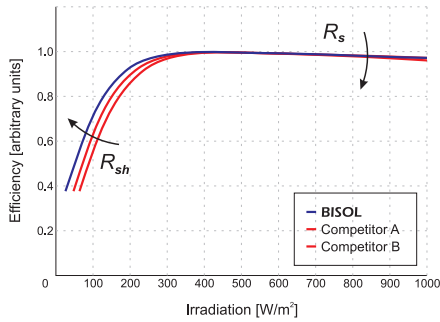


Certificates available upon special request. Additional charges may apply.

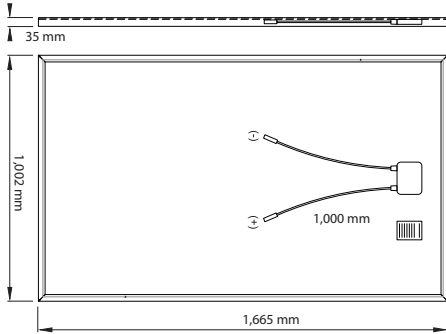
I-V Curve at Various Irradiation Levels and Various Cell Temperatures



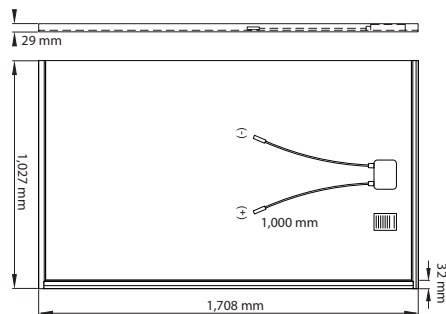
Effective Efficiency



Dimensions of module type BMO



Dimensions of module type BSO (Solrif®)



Electrical Specifications @ STC (AM1.5, 1,000 W/m², 25 °C):



Module Type	BMO/BSO	290	200	190
Nominal Power	P_{MPP} [W]	290	200	190
Short Circuit Current	I_{SC} [A]	8.75	6.20	6.00
Open Circuit Voltage	V_{OC} [V]	43.5	40.6	40.3
MPP Current	I_{MPP} [A]	8.10	5.75	5.40
MPP Voltage	V_{MPP} [V]	35.9	34.8	35.2
Power Output Tolerance		±3 %		
Maximum Reverse Current		18 A		
Maximum System Voltage		1,000 V (Application Class A)		

Efficiency at irradiation 200 W/m²: 99.3 % of STC efficiency or higher. | Power measurement tolerance: ±3 %.

Electrical Specifications @ NOCT (AM1.5, 800 W/m², 20 °C, wind: 1 m/s; Cell Temperature 44 °C):

Module Type	BMO/BSO	290	200	190
Nominal Power	P_{MPP} [W]	215	148	141
Short Circuit Current	I_{SC} [A]	7,08	5.02	4.86
Open Circuit Voltage	V_{OC} [V]	40,8	38.1	37.9
MPP Current	I_{MPP} [A]	6,56	4.66	4.37
MPP Voltage	V_{MPP} [V]	32,8	31.8	32.2

Power measurement tolerance: ±3 %.

Thermal Specifications:

Current Temperature Coefficient	α	+ 0.060 %/K
Voltage Temperature Coefficient	β	- 0.30 %/K
Power Temperature Coefficient	γ	- 0.37 %/K
NOCT		44 °C
Temperature range		- 40 °C to + 85 °C

Mechanical Specifications:

Length x Width x Thickness	BMO : 1,665 mm x 1,002 mm x 35 mm / BSO (Solrif®): 1,708 mm x 1,027 mm x 29 mm
Weight	BMO: 18.8 kg BSO (Solrif®): 18.8 kg
Solar Cells	60 mono c-Si in series / 158.75 mm x 158.75 mm
Junction Box / Connectors	Three bypass diodes / MC4 compatible / IP 68
Frame	Standard frame (anodized AL with drainage holes and rigid anchored corners) or BIPV (Solrif®) frame
Back Sheet Colour	Black
Glass	3.2 mm glass with anti-reflective coating / tempered / high-transparency / low-iron content
Packaging	BMO: 30 modules per pallet / stackable 3 pallets high BSO (Solrif®): 24 modules per pallet / stackable 2 pallets high
Certified Nominal Load (snow/wind)	BMO: 5,400 Pa / 2,400 Pa BSO (Solrif®): 2,400 Pa / 2,400 Pa
Impact resistance	Hailstone / Φ 25 mm / 83 km/h (51 mph)

Tolerances of values are ±5 %. Unspecified product properties remain under full discretion of BISOL.

Dealer Information

www.bisol.com | www.bisol.co.uk



Solar company!

Additional terms & conditions apply. Please see *Standard Limited Guarantee* and *General Sales Terms and Conditions*.

© BISOL Group d.o.o. April 2021. All rights reserved. All information presented in this document is subject to change without prior notice and serve for informative purposes only.