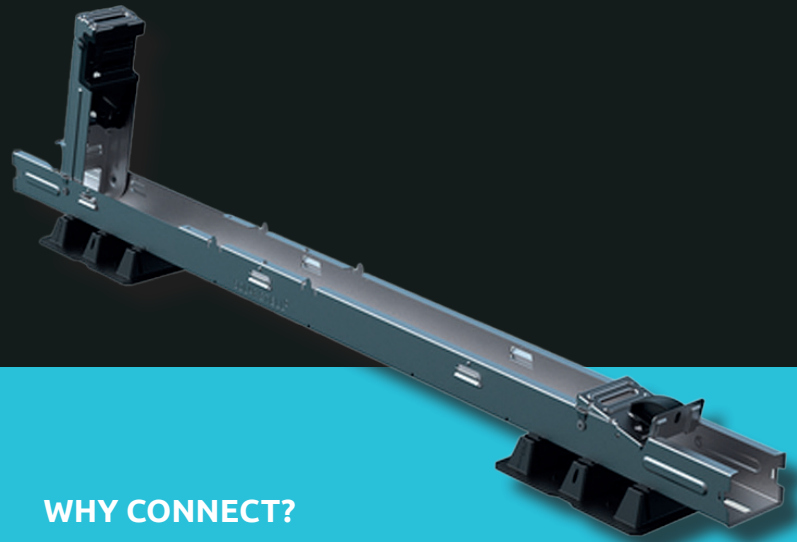


# connect<sup>®</sup>

If you are installing high-quality solar panels, you want to be able to rely on the **quality** of the mounting materials.

Connect stands out for its solid construction and boasts the **fastest installation** on the market.

We supply nearly all parts ready-assembled. This means you only have one basic element on the roof. Unfold, click and go.



## MINIMUM BALLAST, MAXIMUM FLEXIBILITY

Connect is suitable for all configurations and all conventional PV modules.

The unique structure means there is also less ballast and a lower roof load. What's more, the rear deflectors provide extra strength and optimum wind deflection.

## SMART CABLE MANAGEMENT

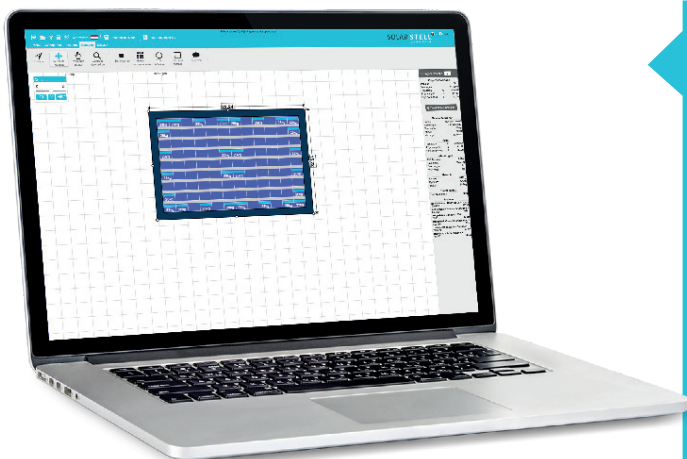
The smart cable guides in the uprights and profile allow all cables to be tidied away quickly and safely.

## OPTIMISER? JUST CLICK IT IN PLACE

Do you use optimisers or micro-inverters for your panels? Secure them in the base plate just like that. No more nuts and bolts!

## WHY CONNECT?

- ✓ Ready-to-use basic elements
- ✓ Includes cable management
- ✓ Clicks in, no screwing
- ✓ Carriers are recyclable and resistant to UV
- ✓ Any configuration, any surface
- ✓ Very little packaging material
- ✓ Maximum of five different articles
- ✓ 20-year warranty



## HANDY CALCULATOR FOR INSTALLERS

Making calculations for your next project? Use our calculator to get the figures you need quickly and place your order directly. Including:

- ✓ Material list
- ✓ Schematic
- ✓ Ballast plan

# blubase<sup>™</sup>

## WANT MORE INFO?

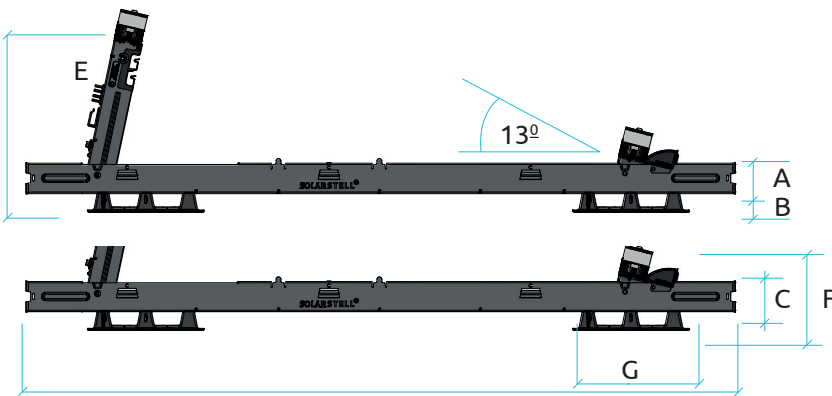
Call us on +31 (0)85 8000 501  
or email [info@blubase.com](mailto:info@blubase.com)

## PRODUCT INFORMATION

|                           |  |
|---------------------------|--|
| <b>Orientation</b>        | <i>landscape/east-west/portrait</i>                                      |
| <b>Angle</b>              | <i>landscape 13°, portrait 10°</i>                                       |
| <b>Maximum roof pitch</b> | <i>4°</i>  |
| <b>Materials</b>          | <i>Magnelis steel/stainless steel/aluminium/plastic</i>                  |
| <b>Roof type</b>          | <i>flat roof with concrete, bitumen, pvc* or gravel**</i>                |
| <b>Solar panels</b>       | <i>all conventional PV modules</i>                                       |
| <b>Warranty</b>           | <i>20 years for the materials (if installed according to the manual)</i> |

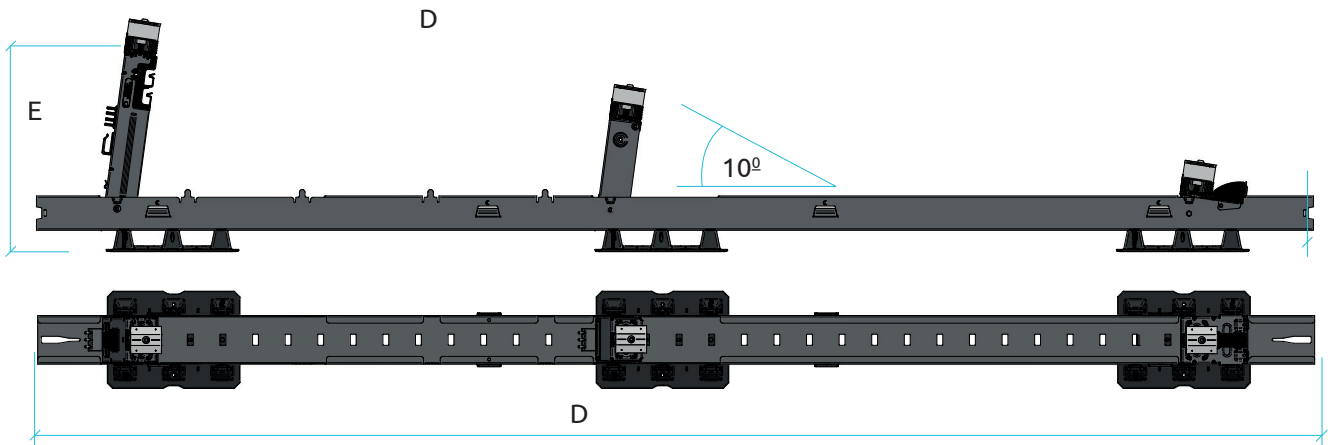
\* The foot is made from ASA plastic, so it does not contain any plasticisers and is resistant to UV.  
 \*\* When using our elevating block (50 mm, article 500810), the gravel does not need to be removed from the entire roof.

### landscape



| SIZES |                                       |
|-------|---------------------------------------|
| A     | 50 mm                                 |
| B     | 32 mm                                 |
| C     | 70 mm                                 |
| D     | 1145 mm landscape<br>1826 mm portrait |
| E     | 305 mm                                |
| F     | 140 mm                                |
| G     | 190 mm                                |

### portrait



#### BALLAST

The system must be weighted down as per NEN 1991-1-4. This can be done using stones or gravel in the ballast tray.

#### NO-GO ZONE

Turbulent wind flows can occur along the facade. Therefore, keep a zone at the edge of the roof free from solar panels. This zone must be 1/6 of the height of the roof and a minimum of 75 cm. For roofs over 12 metres above ground, ask your supplier for advice.  
NEN 7250.

#### EQUIPOTENTIAL BONDING

The upright and the clamp have equipotential bonding points which pierce the coating of the solar panels and make contact. This prevents the build up of voltage in the system to ensure the inverters or micro-inverters are not damaged.  
NEN 1010.

#### APPLICABLE NORMS

NEN-EN 1990  
NEN-EN 1991-1-3  
NEN-EN 1991-1-4  
NEN 7250  
NEN-EN 1999-1-4  
NEN-EN 1997

Eurocode: Basis of structural design  
Actions on structures - Snow loads  
Actions on structures - Wind actions  
Solar energy systems - Integration in roofs and facades  
Design of aluminium structures  
Geotechnical design

#### PANEL SHAPES

Almost all solar panels work with Connect. For a precise overview, including the ballast trays and rear deflectors, visit [Bluebase.com](http://Bluebase.com).