

# Valencia Planter Instructions

# MIS072-2



**PACKAGE CONTENTS:** 1x Planter

**Models:** 5873, 5874, 5875

**MATERIAL:** Polyethylene

**IMPORTANT NOTE:**

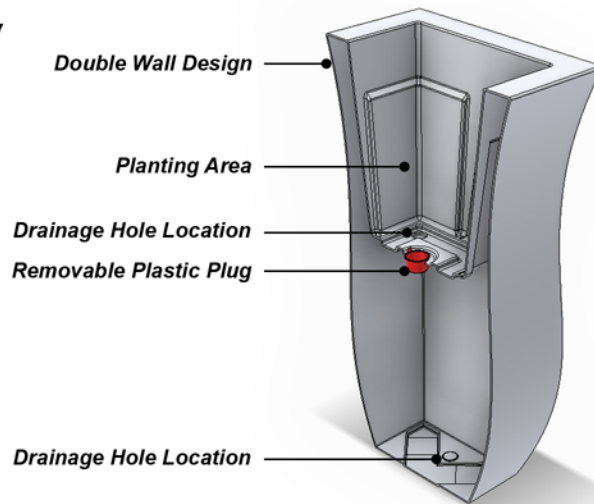
- Do not overload the planters. Lightweight fillers and potting mixes are recommended and yield better plant growth.
- Designed for indoor or outdoor use.
- Suitable for flowers, herbs, vegetables, and small plants.

In the event of missing or defective parts, please email [customerservice@gomayne.com](mailto:customerservice@gomayne.com) or call our customer service department toll free at 866-363-8834 (available Monday through Friday, 8am-5pm EST).

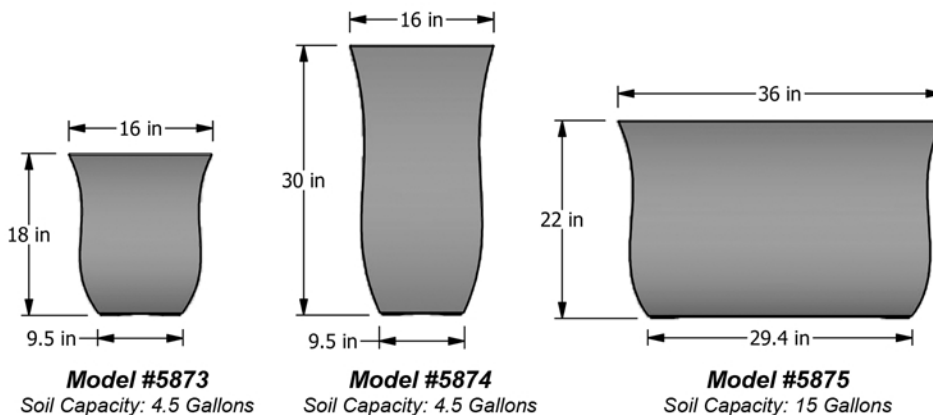
**General Information:**

- The molded polyethylene construction is designed to withstand cold temperatures but you may wish to winter store the planter in a shed or garage to offer the best protection from extreme cold.
- Cleaning Tip: For best results use a soap solution and high-pressure water.
- See reverse side of this instruction sheet for potting recommendations

**Section View**



**Product Dimensions**



**MAYNE**  
Outdoor Products of Distinction  
[www.gomayne.com](http://www.gomayne.com)

## Potting Recommendations:

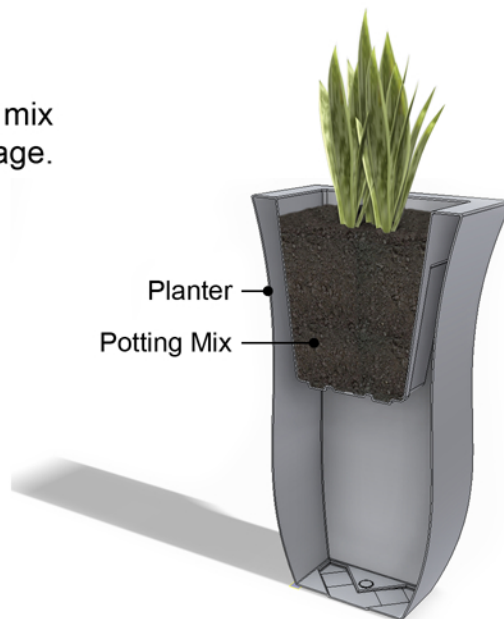
We strongly recommend the use of a good quality potting mix to encourage healthy root development and proper drainage.

## Indoor Use:

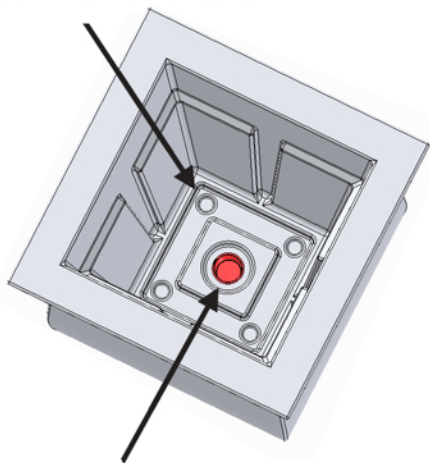
The Valencia planters do not come with any pre-drilled drainage holes to allow for indoor use.

## Outdoor Use:

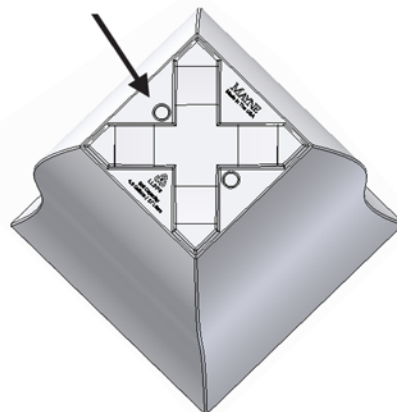
For outdoor use, drainage holes need to be drilled in the bottom of the planting area and the base of the planter to provide proper overflow of excess water (see diagrams below). Failing to drill drainage holes may cause oversaturation of the planted goods and in some cases may cause bowing or bulging of the planter walls.



On the inside of the planter drill three 3/4in drainage holes in the marked locations.



On the bottom footing of the planter drill two 3/4in drainage holes in marked locations



**TIP:** For added stability, remove the red plug and fill inner cavity with pea gravel or crushed stone.