

EVOLINE™ PREMIUM PUMP FIXTURE

INSTALLATION INSTRUCTIONS

FOR ENGINEERING

Fixture Installation Instructions

Recommended Mounting Methods:

To be ADA compliant, top of bracket should be 48" from finished floor.

INSTALLATION KIT INCLUDES:

Wall anchors, screws, 3M double-sided adhesive tape strips & key.
Installation template available to download & print.

METHOD 1: Mount using provided ANCHORS and SCREWS.

*This method does not utilize the 3M double-sided adhesive tape.

- **Step 1** - Locate a flat, even surface for mounting bracket, away from a direct continuous stream of shower water.
- **Step 2** - Clean surface with detergent to remove all soap film and dirt.
- **Step 3** - Wipe surface with a 50/50 mixture of isopropyl alcohol/water and pat dry.
- **Step 4** - Print the installation template and use with a level to mark screw hole locations.
- **Step 5** - Drill holes using a 1/4 in. (6mm) drill bit and install provided anchors.
- **Step 6** - Place the bracket against the wall and secure using the screws provided.
- **Step 7** - After secured, apply a small silicone bead around perimeter of bracket.
- **Step 8** - Allow 24 hours for silicone to cure before bottle installation.

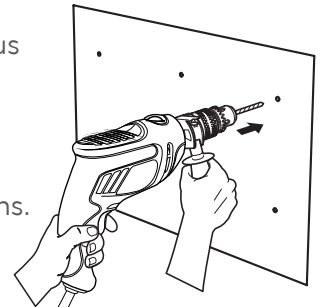


Fig. A: Use mounting template to drill anchor holes.

METHOD 2: Mount using provided 3M double-sided ADHESIVE TAPE STRIPS.

- **Follow steps 1, 2 and 3 from METHOD 1.**
- **Step 4** - Using a level, locate and mark bracket position.
- **Step 5** - Carefully remove the film cover from one side of a double-sided adhesive tape strip and adhere to the back of the bracket. Place 1 adhesive strip for each bottle section.
- **Step 6** - Carefully remove the remaining film cover from the adhesive strip(s).
- **Step 7** - Position bracket as marked. Press firmly (15 pounds-force minimum) for 30 seconds to secure to wall.
- **Step 8** - After bracket is secured, apply small silicone bead around perimeter of bracket.
- **Step 9** - Allow 24 hours for adhesive tape & silicone to cure before bottle installation.

REMOVING a dispenser installed with 3M ADHESIVE TAPE.

Remove the silicone bead using a plastic caulk scraper. Try gently pulling the dispenser from the wall, do not use excessive force as this may damage the wall. A length of fishing line may be used to cut through the adhesive bond-line. Use liquid soap as a lubricant.

Alternatively, 2 soft plastic putty knives can be used to gently pry the edge away from the wall, slowly working your way around the perimeter of the dispenser. If the bond is particularly strong, heating the dispenser with a hair dryer will soften the adhesive.

Use a solvent to remove any remaining adhesive residue from the wall. Be sure the solvent is approved by the manufacturer of the wall substrate and will not cause damage to the wall.

“IMPORTANT INFORMATION BEFORE INSTALLING DISPENSER BRACKET SYSTEM”

Please review all operation and installation instructions with your hotel engineering department and tile and shower wall supplier/manufacturer before installing dispenser bracket system.

In no event shall Guest Supply be liable for any damages of any sort arising out of the installation of the dispenser bracket system, whether direct, indirect, special, incidental, consequential or otherwise.

EVOLINE™ PREMIUM PUMP FIXTURE

OPERATION INSTRUCTIONS

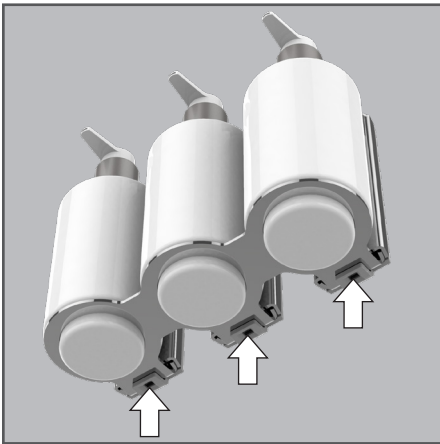
FOR HOUSEKEEPING

Bottle Installation & Replacement:

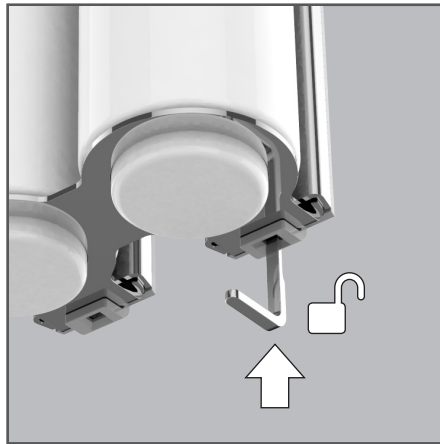
IMPORTANT

DO NOT USE abrasive cleaning chemicals, abrasive acidic cleaning chemicals or abrasive cleaning sponge or cloth.

Step A:



Step B:



Step C:



Step D:



Step E:



Step F:



*Wait at least 24 hours after bracket installation before loading pump bottles.

- **Step A** - Locate the keyhole on the underside of the bracket below each bottle.
- **Step B** - Slide the key into keyhole and press UPWARD firmly to UNLOCK.
- **Step C** - With the key inserted, remove bottle and top bracket together by lifting straight up.
- **Step D** - Separate the bottle from the top bracket and replace the bottle.
- **Step E** - Slide the top bracket and bottle onto the fixture.
- **Step F** - Press downward on the top bracket until it clicks. The bracket locks automatically.

EVOLINE™ PREMIUM PUMP FIXTURE

CARE INSTRUCTIONS

These guest room accessories are handcrafted and require special care for long term enjoyment.

CAUTION: DO NOT USE

Abrasive cleaning chemicals

Acidic cleaning chemicals

Abrasive cleaning sponge / cloth

RECOMMENDED CLEANING INSTRUCTIONS

Use clean damp cloth with mild soap to gently wipe down the bracket, bottles & pump spouts.

Wipe with clean damp cloth to remove soap.

With a dry clean cloth, wipe off all cleaned areas to remove water spots.

Warranty available upon request.