

EVOLINE™ ULTRALUX

ALUMINUM / STAINLESS STEEL TRIPLE FIXTURES

INSTALLATION INSTRUCTIONS

FOR ENGINEERING Fixture Installation Instructions

Recommended Mounting Methods:

To be ADA compliant, top of bracket should be 48" from finished floor.

INSTALLATION KIT INCLUDES:
4 anchors, 4 screws, pre-applied 3M double-sided adhesive tape & key.
Installation template available to download & print.

METHOD 1: Mount using provided ANCHORS and SCREWS.

*This method does not utilize the pre-installed 3M double-sided adhesive tape.

- **Step 1** - Locate a flat, leveled area for mounting bracket, away from a direct continuous stream of shower water.
- **Step 2** - Clean surface with detergent to remove all soap film and dirt.
- **Step 3** - Wipe surface with a 50/50 mixture of isopropyl alcohol/water and pat dry.
- **Step 4** - Print the installation template (optional). Using a level, locate and mark bracket position for screws.
- **Step 5** - Drill the holes and install provided anchors to secure the screws.
- **Step 6** - Unlock and open bracket arms. (See Steps "A" and "B" on page 2)
- **Step 7** - Secure the fixture to the wall using the screws provided. Gently close both arms.
- **Step 8** - After bracket is installed, apply a small silicone bead around perimeter of bracket.
- **Step 9** - Allow 24 hours for silicone to cure before bottle installation.

METHOD 2: Mount using pre-installed 3M double-sided ADHESIVE TAPE.

*If mounting to a surface that has a gel coat finish, the mounting area should be treated with 3M VHB Tape Universal Primer UV, as per the instructions provided with primer.

- **Follow steps 1, 2 and 3 from METHOD 1.**
- **Step 4** - Using a level, locate and mark bracket position.
- **Step 5** - Carefully remove the film cover from the pre-installed, double-sided adhesive tape.
- **Step 6** - Position bracket as marked. Press firmly (15 pounds-force minimum) for 30 seconds to secure to wall.
- **Step 7** - After bracket is secured, apply small silicone bead around perimeter of bracket.
- **Step 8** - Allow 24 hours for adhesive tape & silicone to cure before bottle installation.

REMOVING a dispenser installed with 3M ADHESIVE TAPE.

Note: Do not use excessive force to remove the bracket as this may damage the wall.

First remove the silicone bead using a plastic caulk scraper.

A length of high-strength fishing line (or similar material) may be used to cut through the adhesive bond-line. Use liquid soap as a lubricant. If necessary, heat the dispenser with a hair dryer to soften the adhesive.

Alternatively, 2 soft plastic putty knives can be used to gently pry the edge away from the wall, slowly working your way around the perimeter of the dispenser. If necessary, heat the dispenser with a hair dryer to soften the adhesive.

Use a solvent to remove any remaining adhesive residue from the wall. Be sure the solvent is approved by the manufacturer of the wall substrate and will not cause damage to the wall.

"IMPORTANT INFORMATION BEFORE INSTALLING DISPENSER BRACKET SYSTEM"

Please review all operation and installation instructions with your hotel engineering department and tile and shower wall supplier/manufacturer before installing dispenser bracket system.

In no event shall Guest Supply be liable for any damages of any sort arising out of the installation of the dispenser bracket system, whether direct, indirect, special, incidental, consequential or otherwise.

EVOLINE™ ULTRALUX

ALUMINUM / STAINLESS STEEL TRIPLE FIXTURES

OPERATION INSTRUCTIONS

FOR HOUSEKEEPING

Bottle Installation & Replacement:

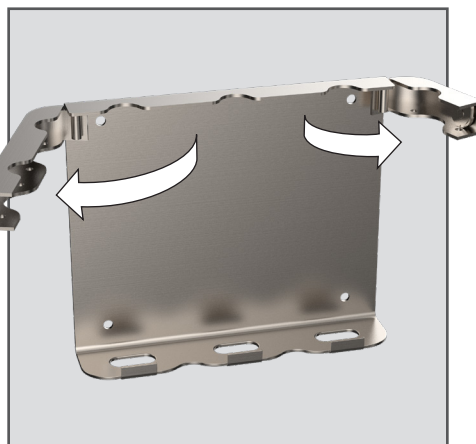
IMPORTANT

DO NOT USE abrasive cleaning chemicals, abrasive acidic cleaning chemicals or abrasive cleaning sponge or cloth.

Step A:



Step B:



Step C:



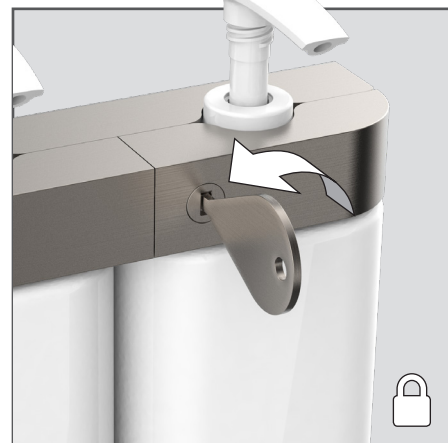
Step D:



Step E:



Step F:



*Wait at least 24 hours after bracket installation before loading pump bottles.

- **Step A** - Using the provided key, insert and turn 90 degrees **CLOCKWISE** to **UNLOCK** both arms.
- **Step B** - Swing open both arms to install or remove pump bottles.
- **Step C** - Unlock dispenser pump by turning pump actuator **COUNTERCLOCKWISE**.
- **Step D** - Install new bottles into the bracket.
- **Step E** - Carefully close the two arms at the same time.
- **Step F** - Using the key, insert and turn 90 degrees **COUNTERCLOCKWISE** to **LOCK** both arms.

EVOLINE™ ULTRALUX
ALUMINUM / STAINLESS STEEL TRIPLE FIXTURES

CARE INSTRUCTIONS

These guest room accessories are handcrafted and require special care for long term enjoyment.

CAUTION: DO NOT USE

Abrasive cleaning chemicals

Acidic cleaning chemicals

Abrasive cleaning sponge / cloth

RECOMMENDED CLEANING INSTRUCTIONS

Use clean damp cloth with mild soap to gently wipe down the bracket, bottles & pump spouts.

Wipe with clean damp cloth to remove soap.

With a dry clean cloth, wipe off all cleaned areas to remove water spots.