

FLUSION

Fusion F1 Table Saw | MTSF132110150-0130

Owner's Manual



**KEEP THIS MANUAL WITH THE MACHINE
REFER TO OFTEN
USE IT TO INSTRUCT OTHERS**

LAGUNA

Laguna takes pride in our products and stands behind them with continuing service and support for our customers. Your Laguna machine was designed to bring a new dimension of productivity to your shop.

Before using your machine for the first time, learn how to use it. This manual covers a step-by-step process of assembly and machine operation. If you have any questions, this manual will provide answers.

We do our best to thoroughly document every product that we sell for customer reference. Several files are compiled to cover all components of a machine.

Several machines may be covered by one manual.

Many machines sold by Laguna include components with independent owners' manuals.

Owner's Manuals

Owners' manuals will guide the purchasing party

Warranty - All information about warranty, how to file a warranty claim, and how-to receiver support.

Safety - The safety related rules and guidelines set forth by the manufacturing parties to be strictly followed in the operation of the machine or product.

Set Up - Guidelines to set-up the product from state of shipping to state of operation.

Operation - Procedure based sections covering the basic process that the machine or product was designed to do.

Maintenance - Maintenance Schedule and procedures that must be followed.

Troubleshooting - Procedure based help sections to repair an out of service machine or product.

Parts - A list of replacement parts offered for the Machine. This section may not include all the parts included with the purchase – if the part was not included in this section then it will be available from a third party.

Schematics – Line drawings of electrical, pneumatic, and dimensional configurations of the machine or product.

Specification Sheets

Specification Sheets will aid in proper machine selection and serve as a reference for the purchasing party. For convenience, the specifications sheet has been included in the end of this manual.

Description - A detailed description of why the machine was developed,

General Specifications - All specifications that are common to all machine categories.

Category Specifications - Specifications unique to the specific category of the machine.

Dimensional Drawing

Capacities Drawing

Accessories, Options, and Consumables

Videos

In most cases a video is the best media to cover a setup or help topic.

All videos made by Laguna are uploaded and stored to youtube.com where they are then linked to websites.

<https://www.youtube.com/user/LagunaTools>

Websites

Websites holds all information about our product range. Check it often for any updates to your machine. As innovation happens, that is where you will find it.

lagunatools.com

lagunatools.ca

lagunatools.eu

supermaxtools.com

lagunacleanair.com

lagunalathe.com

The information contained in this publication was correct at the time of print. In the interest of continuous innovation, we reserve the right to change specifications, design or included equipment without notice or obligation. No part of this publication may be reproduced, transmitted, or translated into any language in any form by any means without our written permission. Errors and omissions may be current.

Laguna Tools, Inc. LAGUNA® and the LAGUNA Logo® are the registered trademarks of Laguna Tools, Inc. All rights reserved. 04/01/2019

LAGUNA

2072 Alton Parkway Irvine, CA 92606 U.S.A.

Service: +1 (949) 474-1200 or email customerservice@lagunatools.com

lagunatools.com

Table of Contents

Table of Contents	3
Warranty & Support	4
Registration	4
Who Is Covered?	4
What Is Covered.....	4
Warranty Limitations	4
Length of Warranty	4
Shipping Damage	4
Safety.....	5
Safety Guidelines - Definitions	5
Important Safety Instructions	5
General Safety Rules	5
CSA Required Safety Information.....	6
Specifications.....	15
Fusion F1 Table Saw (MTSF132110150-0130)	15
Setup	19
Fusion F1 Table Saw (MTSF132110150-0130)	19
Setup Help Sections.....	22
Base & Cabinet	23
Wings, Rails, & Fence	25
Maintenance & Troubleshooting.....	27
Safety Device Alignment	28
Table/Blade/Fence Alignment.....	28
Troubleshooting	29
Wiring	31
Fusion F1 Table Saw (MTSF132110150-0130)	32
Parts.....	33
Table & Fence Rails.....	33
Blade Guard & Miter Gauge.....	34
Fence	35
Base.....	36
Motor & Trunnions	37
Cabinet & Arbor	38
Fusion F1 Table Saw Parts Table (MTSF132110150-0130)	39

Warranty & Support

This machine is covered by a warranty and your dealer can answer any questions you may have. Additionally, we will always be here to offer support, service information, and product supplies and services.

Laguna Tools® Customer Service
2072 Alton Parkway, Irvine,
California 92606, USA
8AM ET to 5PM PST Monday through Friday

LagunaTools.com
Service: +1 (949) 474-1200
customerservice@lagunatools.com

Every product sold is warranted to be free of manufacturers' defective workmanship, parts, and materials. For any questions about this product, the intended use or what it was designed for, customer service, or replacement parts – please reach out to our customer service department.

Registration

To prevent voiding this warranty, all products sold must be registered within thirty (30) days of receiving. Registering the product will enable the original purchaser to receive notifications about important product changes and receive customer support.

<https://lagunatools.com/policies/warranty/>

Who Is Covered?

The applicable warranty covers only the initial purchaser of the product from the receipt date. The original purchaser must present the original receipt as proof of purchase.

What Is Covered

Any part, determined by Laguna Tools®, to have a defect will be repaired or replaced (and shipped), without charge. It is required that the defective item/part be returned to Laguna Tools® with the complaint and proof of purchase in the original packaging that it was received. In the event the item/part is determined to be void of this warranty, the customer will be responsible for the cost to replace the item/part and all related shipping charges.

Warranty Limitations

This limited warranty does not apply to natural disasters, acts of terrorism, normal wear and tear, product failure due to lack of maintenance or cleaning, damage caused by accident, neglect, or lack-of/inadequate dust collection.

The warranty may be voided against proof of misuse/abuse, damage caused where repair or alterations have been made or attempted by others, using the product for purposes other than those described as intended use (unless with consent by Laguna Tools®), modification to the product, or use with an accessory that was not designed for the product. It is the responsibility of the user to understand basic woodworking machinery settings and procedures and to properly maintain the equipment in accordance with the standards provided in this manual.

Length of Warranty

2 Year – New purchases through authorized dealers.
1 Year – New purchases directly from Laguna Tools.
1 Year – Blades and Accessories

Aside from being free of defects upon receiving, consumable parts, like cutters and abrasives, are not covered by this warranty unless otherwise stated by Laguna Tools®. These parts are designed to be used at the expense of the operator and are available for replacement or inventory purchase.

Shipping Damage

Laguna Tools® and the purchasing customer is not responsible for damage or loss caused by a freight company or other circumstances not in the direct control of Laguna Tools®. All shipping related claims for loss or damaged goods must be made to Laguna Tools within twenty-four hours of delivery.

Safety

Read and understand all warnings and operation instructions before using any tool or equipment. Always follow basic safety precautions to reduce the risk of personal injury. Improper operation, maintenance or modification of tools or equipment could result in serious injury and property damage. There are certain applications for which tools and equipment are designed. This product should NOT be modified and/or used for any application other than for which it was designed.

It is important for you to read and understand this manual. The information it contains relates to protecting your safety and preventing problems.

Safety Guidelines - Definitions

This manual contains information that is important for you to know and understand. This information relates to protecting your safety and preventing equipment problems. To help you recognize this information, we use the symbols below. Please read the manual and pay attention to these sections.

- ⚠ DANGER!** Indicates an imminently hazardous situation which, if not avoided, will result in death or serious injury.
- ⚠ WARNING!** Indicates a potentially hazardous situation which, if not avoided, could result in death or serious injury.
- ⚠ CAUTION!** Indicates a potentially hazardous situation which, if not avoided, may result in minor or moderate injury.
- TECH TIP** Indicates a helpful tip from our technical staff.

Important Safety Instructions

⚠ WARNING! Read and understand all warnings and operating instructions before using this equipment. Failure to follow all instructions listed below, may result in electric shock, fire, and/or serious personal injury or property damage.

Woodworking can be dangerous if safe and proper operating procedures are not followed. As with all machinery, there are certain hazards involved with the operation of the product. Using the machine with respect and caution will considerably lessen the possibility of personal injury. However, if normal safety precautions are overlooked or ignored, personal injury to the operator may result. Safety equipment such as guards, push sticks, hold-downs, feather boards, goggles, dust masks and hearing protection can reduce your potential for injury. But even the best guard won't make up for poor judgment, carelessness or inattention. Always use common sense and exercise caution in the workshop. If a procedure feels dangerous, don't try it. Figure out an alternative procedure that feels safer. **REMEMBER:** Your personal safety is your responsibility.

⚠ WARNING! This machine was designed for certain applications only. We strongly recommend that this machine not be modified and/or used for any application other than that for which it was designed. If you have any questions relative to a particular application, do not use the machine until you have first contacted the manufacturer to determine if it can or should be performed on the product.

If you have any questions relative to its application do not use the product until you have contacted the manufacturer and we have advised you.

General Safety Rules

⚠ WARNING! FAILURE TO FOLLOW THESE RULES MAY RESULT IN SERIOUS PERSONAL INJURY.

FOR YOUR OWN SAFETY, READ AND UNDERSTAND THE INSTRUCTION MANUAL BEFORE OPERATING THE MACHINE. Learn the unit's application and limitations as well as the specific hazards peculiar to it.

KEEP WORK AREA CLEAN. Cluttered areas and benches invite accidents.

DON'T USE IN DANGEROUS ENVIRONMENT. Don't use this unit in damp or wet locations or expose it to rain. Keep work area well-lighted.

KEEP CHILDREN AND VISITORS AWAY. All children and visitors should be kept a safe distance from work area.

DISCONNECT UNIT before servicing.

CHECK DAMAGED PARTS. Before further use of the unit, properly repair or replace any part that is damaged.

CSA Required Safety Information

WARNING! For Your Own Safety Read Instruction Manual before Operating Tablesaw.

- (a) **⚠ DANGER!** – Never place your hands in the vicinity or in line with the saw blade.
- (b) **⚠ WARNING!** – "Wear eye protection" or the sign M004 of ISO 7010.
- (c) **⚠ WARNING!** – Always use a properly functioning saw-blade guard, riving knife and anti-kickback device for every operation for which it can be used, including all through sawing.
- (d) **⚠ WARNING!** – Use a push-stick or push-block when required.
- (e) **⚠ WARNING!** – Do not perform any operation freehand.
- (f) **⚠ WARNING!** – Pay particular attention to instructions on reducing risk of kickback.
- (g) **⚠ WARNING!** – Never reach around or over saw blade.
- (h) **⚠ WARNING!** – Turn off tool and wait for saw blade to stop before moving workpiece or changing settings.
- (i) **⚠ WARNING!** – Never stand directly in line with the saw blade. Always position your body on the same side of the saw blade as the fence.

In addition, use hearing protection and wear gloves when handling saw blades.

Guarding Related Warnings

Keep guards in place. Guards must be in working order and be properly mounted. A guard that is loose, damaged, or is not functioning correctly must be repaired or replaced.

Always use saw blade guard, riving knife and anti-kickback device for every through-cutting operation. For through-cutting operations where the saw blade cuts completely through the thickness of the workpiece, the guard and other safety devices help reduce the risk of injury.

Immediately reattach the guarding system after completing an operation (such as rabbeting, dadoing or resawing cuts) which requires removal of the guard, riving knife and/or anti-kickback device. The guard, riving knife, and anti-kickback device help to reduce the risk of injury.

Make sure the saw blade is not contacting the guard, riving knife or the workpiece before the switch is turned on. Inadvertent contact of these items with the saw blade could cause a hazardous condition.

Adjust the riving knife as described in this instruction manual. Incorrect spacing, positioning and alignment can make the riving knife ineffective in reducing the likelihood of kickback.

For the riving knife and anti-kickback device to work, they must be engaged in the workpiece. The riving knife and anti-kickback device are ineffective when cutting workpieces that are too short to be engaged with the riving knife and anti-kickback device. Under these conditions a kickback cannot be prevented by the riving knife and antikickback device.

Use the appropriate saw blade for the riving knife. For the riving knife to function properly, the saw blade diameter must match the appropriate riving knife and the body of the saw blade must be thinner than the thickness of the riving knife and the cutting width of the saw blade must be wider than the thickness of the riving knife.

Cutting Procedures Warnings

⚠ DANGER! Never place your fingers or hands in the vicinity or in line with the saw blade. A moment of inattention or a slip could direct your hand towards the saw blade and result in serious personal injury.

Feed the workpiece into the saw blade or cutter only against the direction of rotation. Feeding the workpiece in the same direction that the saw blade is rotating above the table may result in the workpiece, and your hand, being pulled into the saw blade.

Never use the mitre gauge to feed the workpiece when ripping and do not use the rip fence as a length stop when cross cutting with the mitre gauge. Guiding the workpiece with the rip fence and the mitre gauge at the same time increases the likelihood of saw blade binding and kickback.

When ripping, always apply the workpiece feeding force between the fence and the saw blade. Use a push stick when the distance between the fence and the saw blade is less than 150 mm, and use a push block when this distance is less than 50 mm. "Work helping" devices will keep your hand at a safe distance from the saw blade.

Use only the push stick provided by the manufacturer or constructed in accordance with the instructions. This push stick provides sufficient distance of the hand from the saw blade.

Never use a damaged or cut push stick. A damaged push stick may break causing your hand to slip into the saw blade.

Do not perform any operation "freehand". Always use either the rip fence or the mitre gauge to position and guide the workpiece. "Freehand" means using your hands to support or guide the workpiece, in lieu of a rip fence or mitre gauge. Freehand sawing leads to misalignment, binding and kickback.

Never reach around or over a rotating saw blade. Reaching for a workpiece may lead to accidental contact with the moving saw blade.

Provide auxiliary workpiece support to the rear and/or sides of the saw table for long and/or wide workpieces to keep them level. A long and/or wide workpiece has a tendency to pivot on the table's edge, causing loss of control, saw blade binding and kickback.

Feed workpiece at an even pace. Do not bend or twist the workpiece. If jamming occurs, turn the tool off immediately, unplug the tool then clear the jam. Jamming the saw blade by the workpiece can cause kickback or stall the motor.

Do not remove pieces of cut-off material while the saw is running. The material may become trapped between the fence or inside the saw blade guard and the saw blade pulling your fingers into the saw blade. Turn the saw off and wait until the saw blade stops before removing material.

Use an auxiliary fence in contact with the table top when ripping workpieces less than 2 mm thick. A thin workpiece may wedge under the rip fence and create a kickback.

Kickback Causes and Related Warnings

Kickback is a sudden reaction of the workpiece due to a pinched, jammed saw blade or misaligned line of cut in the workpiece with respect to the saw blade or when a part of the workpiece binds between the saw blade and the rip fence or other fixed object.

Most frequently during kickback, the workpiece is lifted from the table by the rear portion of the saw blade and is propelled towards the operator.

Kickback is the result of saw misuse and/or incorrect operating procedures or conditions and can be avoided by taking proper precautions as given below.

Never stand directly in line with the saw blade. Always position your body on the same side of the saw blade as the fence. Kickback may propel the workpiece at high velocity towards anyone standing in front and in line with the saw blade.

Never reach over or in back of the saw blade to pull or to support the workpiece. Accidental contact with the saw blade may occur or kickback may drag your fingers into the saw blade.

Never hold and press the workpiece that is being cut off against the rotating saw blade. Pressing the workpiece being cut off against the saw blade will create a binding condition and kickback.

Align the fence to be parallel with the saw blade. A misaligned fence will pinch the workpiece against the saw blade and create kickback.

Use a feather-board to guide the workpiece against the table and fence when making non-through cuts such as rabbeting, dadoing or resawing cuts. A feather-board helps to control the workpiece in the event of a kickback.

Use extra caution when making a cut into blind areas of assembled workpieces. The protruding saw blade may cut objects that can cause kickback.

Support large panels to minimize the risk of saw blade pinching and kickback. Large panels tend to sag under their own weight. Support(s) must be placed under all portions of the panel overhanging the table top.

Use extra caution when cutting a workpiece that is twisted, knotted, warped or does not have a straight edge to guide it with a mitre gauge or along the fence. A warped, knotted, or twisted workpiece is unstable and causes misalignment of the kerf with the saw blade, binding and kickback.

Never cut more than one workpiece, stacked vertically or horizontally. The saw blade could pick up one or more pieces and cause kickback.

When restarting the saw with the saw blade in the workpiece, center the saw blade in the kerf so that the saw teeth are not engaged in the material. If the saw blade binds, it may lift up the workpiece and cause kickback when the saw is restarted.

Keep saw blades clean, sharp, and with sufficient set. Never use warped saw blades or saw blades with cracked or broken teeth. Sharp and properly set saw blades minimize binding, stalling and kickback.

Table Saw Operating Procedure Warnings

Turn off the table saw and disconnect the power cord when removing the table insert, changing the saw blade or making adjustments to the riving knife, anti-kickback device or saw blade guard, and when the machine is left unattended. Precautionary measures will avoid accidents.

Never leave the table saw running unattended. Turn it off and don't leave the tool until it comes to a complete stop. An unattended running saw is an uncontrolled hazard.

Locate the table saw in a well-lit and level area where you can maintain good footing and balance. It should be installed in an area that provides enough room to easily handle the size of your workpiece. Cramped, dark areas, and uneven slippery floors invite accidents.

Frequently clean and remove sawdust from under the saw table and/or the dust collection device. Accumulated sawdust is combustible and may self-ignite.

The table saw must be secured. A table saw that is not properly secured may move or tip over.

Remove tools, wood scraps, etc. from the table before the table saw is turned on. Distraction or a potential jam can be dangerous.

Always use saw blades with correct size and shape (diamond versus round) of arbor holes. Saw blades that do not match the mounting hardware of the saw will run off-center, causing loss of control.

Never use damaged or incorrect saw blade mounting means such as flanges, saw blade washers, bolts or nuts. These mounting means were specially designed for your saw, for safe operation and optimum performance.

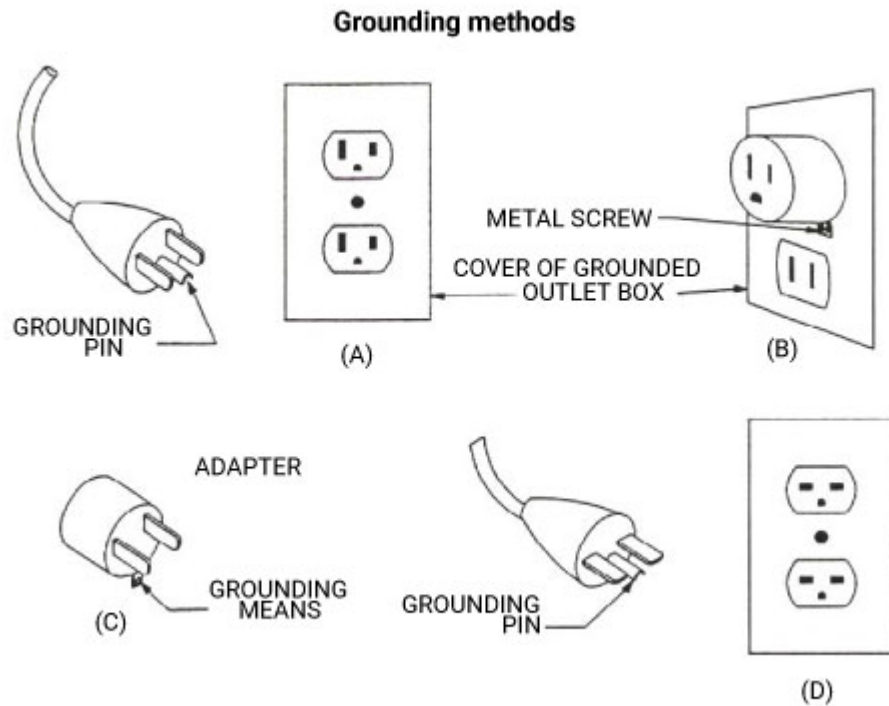
Never stand on the table saw, do not use it as a stepping stool. Serious injury could occur if the tool is tipped or if the cutting tool is accidentally contacted.

Make sure that the saw blade is installed to rotate in the proper direction. Do not use grinding wheels, wire brushes, or abrasive wheels on a table saw. Improper saw blade installation or use of accessories not recommended may cause serious injury.

Grounding Instructions

Table A						
Ampere Rating		Volts	Total length of cord in feet			
		120	25	50	100	150
		240	50	100	200	300
More Than	Not More Than		Minimum gage for cord			
0	6		18	16	16	14
6	10		18	16	14	12
10	12		16	16	14	12
12	16		14	12	Not Recommended	

Grounding Methods Provided by CSA Group. (A) Receptacle with nominal rating less than 150 volts. (B) 150 volt receptacle without grounding pin fitted with adapter. (C) Grounding receptacle adapter. (D) Receptacle with nominal rating between 150 - 250 volts.



All grounded, cord-connected tools:

In the event of a malfunction or breakdown, grounding provides a path of least resistance for electric current to reduce the risk of electric shock. This tool is equipped with an electric cord having an equipment-grounding conductor and a grounding plug. The plug must be plugged into a matching outlet that is properly installed and grounded in accordance with all local codes and ordinances.

Do not modify the plug provided; if it will not fit the outlet, have the proper outlet installed by a qualified electrician.

Improper connection of the equipment-grounding conductor can result in a risk of electric shock. The conductor with insulation having an outer surface that is green with or without yellow stripes is the

equipment-grounding conductor. If repair or replacement of the electric cord or plug is necessary, do not connect the equipment-grounding conductor to a live terminal.

Check with a qualified electrician or service personnel if the grounding instructions are not completely understood, or if in doubt as to whether the tool is properly grounded.

Use only 3-wire extension cords that have 3-prong grounding plugs and 3 pole receptacles that accept the tool's plug.

Repair or replace damaged or worn cord immediately.

Grounded, cord-connected tools intended for use on a supply circuit having a nominal rating less than 150 volts:

This tool is intended for use on a circuit that has an outlet that looks like the one illustrated in Sketch A in Fig. 1. The tool has a grounding plug that looks like the plug illustrated in Sketch A in Fig. 1. A temporary adapter, which looks like the adapter illustrated in Sketch B and C, may be used to connect this plug to a 2 pole receptacle as shown in Sketch B if a properly grounded outlet is not available. The temporary adapter should be used only until a properly grounded outlet can be installed by a qualified electrician. **This adapter is not permitted in Canada.** The green-colored rigid ear, lug, and the like, extending from the adapter must be connected to a permanent ground such as a properly grounded outlet box.

Grounded, cord-connected tools intended for use on a supply circuit having a nominal rating between 150 – 250 volts, inclusive:

This tool is intended for use on a circuit that has an outlet that looks like the one illustrated in Sketch D. The tool has a grounding plug that looks like the plug illustrated in Sketch D. Make sure the tool is connected to an outlet having the same configuration as the plug. No adapter is available or should be used with this tool. If the tool must be reconnected for use on a different type of electric circuit, the reconnection should be made by qualified service personnel; and after reconnection, the tool should comply with all local codes and ordinances.

Proposition 65 Warning of Harmful Exposure

Some dust created by power sanding, sawing, grinding, drilling and other construction activities contains chemicals known to cause cancer, birth defects or other reproductive harm. Some examples of these chemicals are:

Lead from lead-based paint.

Crystalline silica from bricks, cement, and other masonry products.

Arsenic and chromium from chemically treated lumber.

Your risk of exposure varies, depending on how often you do this type of work. To reduce your exposure to these chemicals, work in a well-ventilated area and work with approved safety equipment, such as face or dust masks that are specifically designed to filter out microscopic particles.

French

AVERTISSEMENT!

Pour votre propre sécurité, lisez le manuel d'instructions avant d'utiliser la scie à table.

(a) DANGER - Ne placez jamais vos mains à proximité ou en ligne avec la lame de scie.

(b) AVERTISSEMENT - "Porter une protection oculaire" ou le signe M004 de la norme ISO 7010.

(c) AVERTISSEMENT - Toujours utiliser un protecteur de lame de scie, un couteau diviseur et un dispositif anti-retour pour chaque opération pour laquelle il peut être utilisé, y compris tout au long du sciage.

- (d) AVERTISSEMENT - Utiliser un bâton-poussoir ou un bloc-poussoir au besoin.
- (e) AVERTISSEMENT - N'effectuez aucune opération à main levée.
- (f) AVERTISSEMENT - Porter une attention particulière aux instructions sur la réduction du risque de rebond. (ou "Savoir comment réduire les risques de pots-de-vin.")
- (g) AVERTISSEMENT - Ne jamais tendre la main autour ou au-dessus de la lame de scie. (ou "Ne jamais tendre la main à l'arrière ou au-dessus de la lame de scie").
- (H) AVERTISSEMENT - Éteindre l'outil et attendre que la lame de scie s'arrête avant de déplacer la pièce ou de changer les réglages.
- (I) AVERTISSEMENT - Ne jamais se tenir directement en ligne avec la lame de scie. Placez toujours votre corps du même côté de la lame de scie que la clôture.

De plus, utilisez une protection auditive et portez des gants pour manipuler les lames de scie.

Avvertissements relatifs à la protection

Laisser les protecteurs en place. Les protecteurs doivent être en état de fonctionnement et montés correctement. Un protecteur mal fixé, endommagé ou ne fonctionnant pas correctement doit être réparé ou remplacé.

Toujours utiliser un protecteur de lames, un couteau diviseur et un appareil antirecul pour toute opération de coupe traversante. Pour les opérations de coupe traversante où la lame traverse complètement l'épaisseur de la pièce, le protecteur et les autres appareils de sécurité contribuent à limiter le risque de blessure.

Fixer de nouveau immédiatement le protecteur après l'exécution d'une opération (telle que le refeuillement, l'engravure ou la refente) qui nécessite l'enlèvement du protecteur, du couteau diviseur et/ou de l'appareil anti-recul. Le protecteur, le couteau diviseur et l'appareil anti-recul contribuent à limiter le risque de blessure.

Veiller à ce que la lame n'entre pas en contact avec le protecteur, le couteau diviseur ou la pièce avant le déclenchement du commutateur. Un contact involontaire de ces éléments avec la lame pourrait entraîner un fonctionnement dangereux.

Ajuster le couteau diviseur comme décrit dans la notice d'utilisation. Un espacement, un positionnement et un alignement incorrects peuvent empêcher le couteau diviseur de limiter le risque de recul.

Pour que le couteau diviseur et l'appareil anti-recul fonctionnent, ils doivent être engagés dans la pièce. Le couteau diviseur et l'appareil anti-recul sont inefficaces lorsque l'on coupe des pièces trop courtes pour que le couteau diviseur et l'appareil antirecul puissent s'y engager. Dans ces conditions, le couteau diviseur et l'appareil anti-recul ne peuvent pas empêcher un recul de se produire.

Utiliser la lame appropriée au couteau diviseur. Pour que le couteau diviseur fonctionne correctement, le diamètre de la lame doit correspondre au couteau diviseur approprié, l'épaisseur de la lame de scie doit être plus mince que celle du couteau diviseur et la largeur de coupe de la lame de scie doit être supérieure à l'épaisseur du couteau diviseur.

Avvertissements relatifs aux modes opératoires de coupe

DANGER: Ne jamais mettre les doigts ou les mains à proximité ou dans l'alignement de la lame. Votre main pourrait glisser ou se diriger vers la lame dans un moment d'inattention et entraîner une blessure grave.

Avancer la pièce en direction de la lame ou du couteau uniquement dans le sens inverse de rotation. L'avance de la pièce dans le même sens que le sens de rotation de la lame au-dessus de la table peut entraîner la pièce et la main dans la lame.

Ne jamais utiliser le guide inclinable pour avancer la pièce lors d'un sciage en long et ne pas utiliser le guide longitudinal comme butée longitudinale lors d'un sciage en travers à l'aide du guide inclinable. Le guidage

de la pièce en utilisant en même temps le guide longitudinal et le guide inclinable augmente le risque de blocage de la lame et de recul.

Lors d'un sciage en long, toujours appliquer la force d'alimentation de la pièce entre le guide et la lame. Utiliser un poussoir lorsque la distance entre le guide et la lame est inférieure à 150 mm et utiliser un bloc-poussoir lorsque cette distance est inférieure à 50 mm. Des appareils d'aide à l'utilisation maintiendront la main à une distance sans risque de la lame.

Utiliser seulement le poussoir fourni par le fabricant ou construit conformément aux instructions. Ce poussoir permet de garder une distance suffisante entre la main et la lame.

Ne jamais utiliser un poussoir endommagé ou coupé. Un poussoir endommagé peut faire glisser votre main dans la lame.

Ne jamais effectuer une opération "à main levée". Toujours utiliser le guide longitudinal ou le guide inclinable pour positionner et guider la pièce. "A main levée" signifie utiliser ses mains pour soutenir ou guider la pièce, au lieu d'un guide longitudinal ou inclinable. Une coupe à main levée entraîne un mauvais alignement, un blocage et un recul.

Ne jamais tendre le bras autour ou au-dessus de la lame rotative. Le fait d'étendre le bras pour atteindre une pièce peut entraîner un contact accidentel avec la lame rotative.

Prévoir un support supplémentaire de la pièce à l'arrière et/ou sur les côtés de la scie circulaire pour des pièces longues et/ou larges afin de les maintenir à plat. Une pièce longue et/ou large a tendance à pivoter sur le bord de la table, entraînant une perte de contrôle, un blocage de la lame et un recul.

Avancer la pièce à un rythme régulier. Ne pas plier ou tordre la pièce. En cas de coincement de la lame, arrêter l'outil immédiatement, le débrancher et décoincer la lame. Un coincement de la lame par la pièce peut provoquer un recul ou faire caler le moteur.

Ne pas enlever des morceaux de matériau coupé lors du fonctionnement de la lame. Le matériau peut être emprisonné entre le guide ou à l'intérieur du protecteur de lame et la lame, entraînant vos doigts dans la lame. Stopper le fonctionnement de la scie et attendre l'arrêt de la scie avant de retirer le matériau.

Utiliser un guide auxiliaire en contact avec le plateau de la table lors d'un sciage en long de pièces d'épaisseur inférieure à 2 mm. Une pièce mince peut se coincer sous le guide longitudinal et provoquer un recul.

Causes de recul et avertissements associés

Le recul est une réaction soudaine de la pièce due à une lame pincée, bloquée ou une ligne de coupe mal alignée dans la pièce par rapport à la position de la lame ou lorsqu'une partie de la pièce se bloque entre la lame et le guide longitudinal ou un autre objet fixe.

Le plus souvent lors d'un recul, la pièce est soulevée de la table par la partie arrière de la lame et est projetée en direction de l'opérateur.

Le recul résulte d'une mauvaise utilisation de la scie et/ou de modes opératoires ou de conditions de fonctionnement incorrects et peut être évité en prenant les précautions nécessaires telles qu'indiquées ci-dessous.

Ne jamais se tenir dans l'alignement direct de la lame. Toujours se tenir du même côté de la lame que le guide. Un recul peut propulser la pièce à une vitesse rapide vers quiconque se trouvant devant et dans l'alignement de la lame.

Ne jamais tendre le bras au-dessus ou à l'arrière de la lame pour retirer ou soutenir la pièce. Un contact accidentel avec la lame peut se produire ou un recul peut entraîner vos doigts dans la lame.

Ne jamais maintenir et presser la pièce contre la lame rotative. Presser la pièce contre la lame rotative provoquera un blocage de la lame et un recul.

Aligner le guide parallèlement à la lame. Un mauvais alignement du guide entraînera un pincement de la pièce contre la lame et un recul.

Utiliser un peigne anti-recul pour guider la pièce contre la table et le guide lors des coupes non traversantes tels que le refeuillement, l'engravure ou la refente. Un peigne anti-recul aide à contrôler la pièce en cas de recul.

User de précautions supplémentaires lors d'une coupe dans des zones non visibles de pièces assemblées. La partie de lame qui dépasse peut couper des objets qui peuvent provoquer un recul.

Soutenir les grands panneaux pour limiter le risque d'un blocage de la lame et d'un recul. Les grands panneaux ont tendance à s'affaisser sous leur propre poids. Un (des) support(s) doit (vent) être placé(s) sous toutes les portions du panneau par-dessus la table.

User de précautions supplémentaires lors de la coupe d'une pièce torsadée, gauchie ou comportant des noeuds, qui n'a pas un bord droit pour le guider à l'aide d'un guide inclinable ou le long du guide. Une pièce torsadée, gauchie ou comportant des noeuds est instable et provoquer un mauvais alignement du trait de scie avec la lame, un blocage de la lame et un recul.

Ne jamais couper plusieurs pièces empilées verticalement ou horizontalement. La lame pourrait attraper plusieurs pièces et provoquer un recul.

Lors d'un redémarrage d'une scie avec une lame de scie dans la pièce, centrer la lame dans le trait de scie de sorte que les dents ne pénètrent pas dans le matériau. Si la lame se bloque, elle peut soulever la pièce et provoquer un recul lors du redémarrage de la scie.

Maintenir les lames propres, bien aiguisées et avec un écart latéral suffisant. Ne jamais utiliser des lames gauchies ou des lames dont les dents sont fissurées ou cassées. Des lames bien aiguisées et ayant un bon écart latéral limitent le risque de blocage, de calage et de recul.

Avvertissements relatifs au mode opératoire de fonctionnement de la scie circulaire à table

Arrêter le fonctionnement de la scie circulaire et débrancher le cordon d'alimentation lors de l'enlèvement de la plaque amovible, du remplacement de la lame de scie ou des réglages du couteau diviseur, de l'appareil anti-recul ou du protecteur de lame, et lorsque la machine est laissée sans surveillance. Ces mesures de précaution éviteront les accidents.

Ne jamais laisser la scie circulaire à table fonctionner sans surveillance. Arrêter le fonctionnement et ne pas quitter l'outil tant qu'il n'a pas cessé de fonctionner. Une scie fonctionnant sans surveillance est un danger incontrôlé.

Placer la scie circulaire à table dans un endroit bien éclairé et sur une surface plane où elle peut être maintenue bien en appui et en équilibre. Il convient de l'installer dans un endroit qui prévoit une place suffisante pour pouvoir manipuler facilement la pièce quelle que soit sa taille. Des endroits exigus, sombres et des sols inégaux et glissants sont susceptibles de provoquer des accidents.

Nettoyer fréquemment et enlever la sciure accumulée sous la scie circulaire à table et/ou sous l'appareil de dépoussiérage. La sciure accumulée est combustible et peut s'enflammer.

La scie circulaire à table doit être immobilisée. Une scie circulaire à table mal immobilisée peut bouger ou basculer.

Enlever les outils, copeaux de bois, etc. de la table avant de faire fonctionner la scie. Un moment d'inattention ou un coincement éventuel peut être dangereux.

Toujours utiliser des lames de scie de dimensions et de forme appropriées des alésages centraux (lame de scie au diamant contre lame de scie ronde). Des lames qui ne sont pas conformes aux matériels de montage de la scie seront excentrées, provoquant une perte de contrôle.

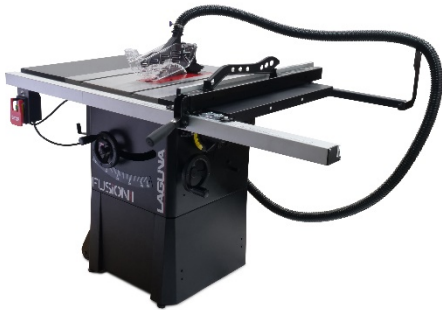
Ne jamais utiliser des appareils de montage, tels que des flasques, des rondelles de lame, des boulons ou écrous, endommagés ou inadaptés. Ces appareils de montage ont été spécialement conçus pour être utilisés avec votre scie, à des fins de fonctionnement sûr et de performance optimale.

Ne jamais se tenir sur la scie circulaire à table, ne pas l'utiliser comme tabouret. Des blessures sérieuses peuvent survenir si l'outil bascule ou en cas de contact accidentel avec l'outil de coupe.

Veiller à ce que la scie circulaire à table soit installée de façon à tourner dans la bonne direction. Ne pas utiliser des meules, des brosses métalliques ou des disques abrasifs sur une scie circulaire à table. Une installation incorrecte de la lame ou l'utilisation d'accessoires non recommandés peut entraîner de graves blessures.

Specifications

Fusion F1 Table Saw (MTSF132110150-0130)



Condensed Spec

Maximum Blade Diameter	10 in. (254 mm)
Max Rip Right of Blade w/Included Fence & Rails	31 in. (787.4 mm)
Fence Type.....	Camlock T-Shape w/Aluminum Face
Table.....	Precision-Ground Cast Iron
Wings.....	Pre-Formed Steel
Cabinet	Pre-Formed Steel
Trunnions	Cast Alloy
Dust Port Size	4 in. (101.6 mm)
Blade Guard Dust Port Size	1.5 in. (38.1 mm)
Weight, Gross.....	214 Lbs (97 Kg)
Weight, Net.....	195 lbs. (88.5 Kg)
Overall Width (side-to-side)	58.81 in. (1494 mm)
Overall Depth (front-to-back).....	37.2 in. (945 mm)
Overall Height	42.51 in. (1080 mm)
Power Requirement.....	110V, Single-Phase, 60 Hz
Horsepower	1.5HP
Country of Origin	Taiwan
Certified by a Nationally Recognized Testing Laboratory (NRTL)	Yes

F1 Features

- Fusion Hi-Lo Dust Collection
- Fusion Over-Under Trunnions
- Polished Cast Iron Table
- Reset Switch
- Quick-Release Blade Guard and Spreader
- Riving Knife Included
- Push Stick included
- Mitre Guage Included

Blade Changing Tool Included
 Integrated Tool Storage
 Premium Handles
 Included 10 x 60T Carbide-Tipped Blade
 Premium Arbor and Motor Bearings

Main Information

Table Saw Type	Hybrid Cabinet
Maximum Blade Diameter	10 in. (254 mm)
Arbor Size.....	0.62 in. (15.87 mm)
Arbor Speed	4000 RPM
Maximum Width of Dado	0.75 in. (19.05 mm)
Blade Tilt Direction	Left
Max Blade Tilt	45 deg.
Maximum Depth of Cut At 90 Degrees	3.12 in. (79.37 mm)
Maximum Depth of Cut At 45 Degrees	2.12 in. (53.97 mm)
Max Rip Right of Blade w/Included Fence & Rails	31 in. (787.4 mm)
Max Rip Left of Blade w/Included Fence & Rails	19.68 in. (500 mm)

Additional Blade Information

Included Blade Information	10" x 60T
Riving Knife/Spreader Thickness	0.09 in. (2.28 mm)
Required Blade Body Thickness.....	>3.0mm
Required Blade Kerf Thickness	<2.0mm

Table Information

Floor to Table Height	34.37 in. (873 mm)
Table Size with Extension Wings Width.....	44.01 in. (1118 mm)
Table Size with Extension Wings Depth	27 in. (686 mm)
Distance Front of Table to Center of Blade	13.46 in. (342 mm)
Distance Front of Table to Blade At Maximum Cut	8.66 in. (220 mm)
Main Table Size Thickness	1.49 in. (38 mm)

Fence Information

Fence Type.....	Camlock T-Shape w/Aluminum Face
Fence Size Length	33.46 in. (850 mm)
Fence Size Width	9.84 in. (250 mm)
Fence Size Height.....	2.44 in. (62 mm)
Fence Rail Type	Aluminum Extrusion/Angle Steel
Fence Rail Length	59.37 in. (1508 mm)
Fence Rail Width.....	2.92 in. (74.2 mm)
Fence Rail Height	1.96 in. (50 mm)

Miter Gauge Information

Miter Gauge Slot Type.....	T-Slot
Miter Gauge Slot Size Width	0.74 in. (19 mm)
Miter Gauge Slot Size Height.....	0.38 in. (9.8 mm)

Construction

Table.....	Precision-Ground Cast Iron
Wings.....	Pre-Formed Steel
Cabinet.....	Pre-Formed Steel
Trunnions.....	Cast Alloy
Body Assembly.....	Pre-Formed Steel
Fence Assembly.....	Aluminum Extruded Body
Rails.....	Steel
Miter Guage Construction.....	Aluminum Body with Steel Bar
Guard.....	Steel and Clear Plastic
Body/Cabinet Paint Type/Finish.....	Powder Coated
Arbor Bearings.....	Sealed & Permanently Lubricated

Other Related Information

Number of Dust Ports.....	1.00
Dust Port Size.....	4 in. (101.6 mm)
Compatible Mobile Base.....	YES
Blade Guard Dust Port Size.....	1.5 in. (38.1 mm)
Dust Collection CFM Requirements.....	400.00
Dust Collection Static Pressure.....	5" H2O

Product Dimensions

Weight, Gross.....	214 Lbs (97 Kg)
Weight, Net.....	195 lbs. (88.5 Kg)
Overall Width (side-to-side).....	58.81 in. (1494 mm)
Overall Depth (front-to-back).....	37.2 in. (945 mm)
Overall Height.....	42.51 in. (1080 mm)
Footprint Width.....	20.49 in. (520.6 mm)
Footprint Length.....	20.66 in. (525 mm)
Space Required for Full Range of Movement Width (side-to-side)	58.81 in. (1494 mm)
Space Required for Full Range of Movement Depth (front-to-back)	37.2 in. (945 mm)

Shipping Dimensions

Carton Number.....	1.00
Carton Type.....	Box
Content.....	Everything
Weight, Gross.....	214 Lbs (97 Kg)
Length.....	42.32 in. (1075 mm)
Width.....	26.77 in. (680 mm)
Height.....	25.59 in. (650 mm)
Must Ship Upright.....	YES

ELECTRICAL

Power Requirement.....	110V, Single-Phase, 60 Hz
Prewired Voltage.....	110V
Full-Load Current Rating.....	13A
Minimum Circuit Size.....	20A
Connection Type.....	Cord & Plug
Power Cord Included.....	Yes

Power Cord Length.....	6 ft.
Power Cord Gauge	14 AWG
Plug Included	Yes
Included Plug Type.....	5-15
Switch Type	ON/OFF Push Button Switch w/Large Shut-Off
Paddle & Padlock	

MOTOR

Use.....	Main
Horsepower	1.5HP
Phase	Single-Phase
Amps	13A
Speed	3600 RPM
Type.....	TEFC Capacitor-Start Induction
Power Transfer.....	Poly-V Belt Drive
Bearings	Sealed & Permanently Lubricated

OTHER SPECIFICATIONS

Country of Origin	Taiwan
Warranty.....	1 Year
Approximate Assembly & Setup Time	1 Hour
Serial Number Location	ID Label on Front of Cabinet
Sound Rating	60-78 DBa
ISO 9001 Factory.....	Yes
Certified by a Nationally Recognized Testing Laboratory (NRTL)	Yes

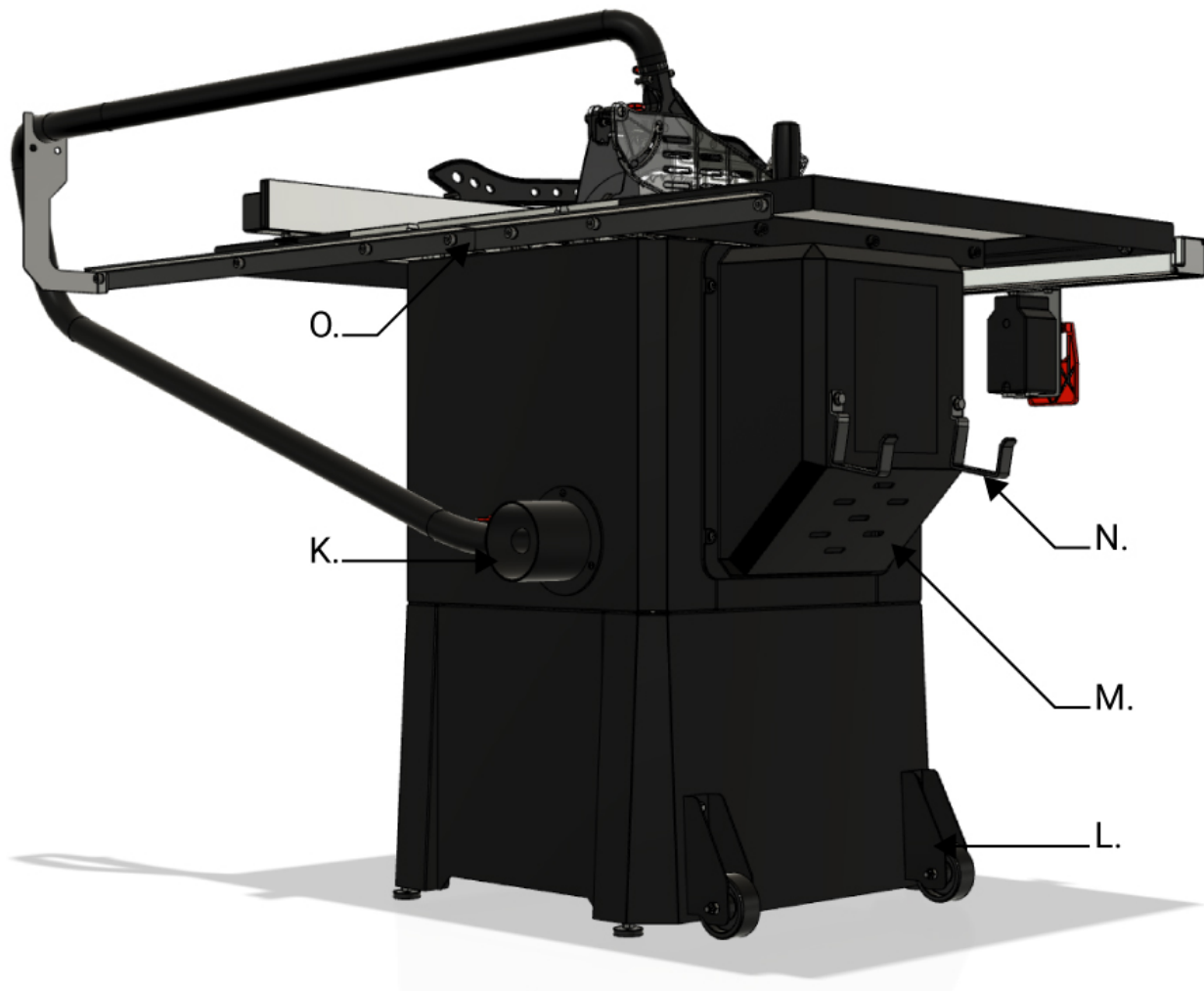
Setup

Fusion F1 Table Saw (MTSF132110150-0130)

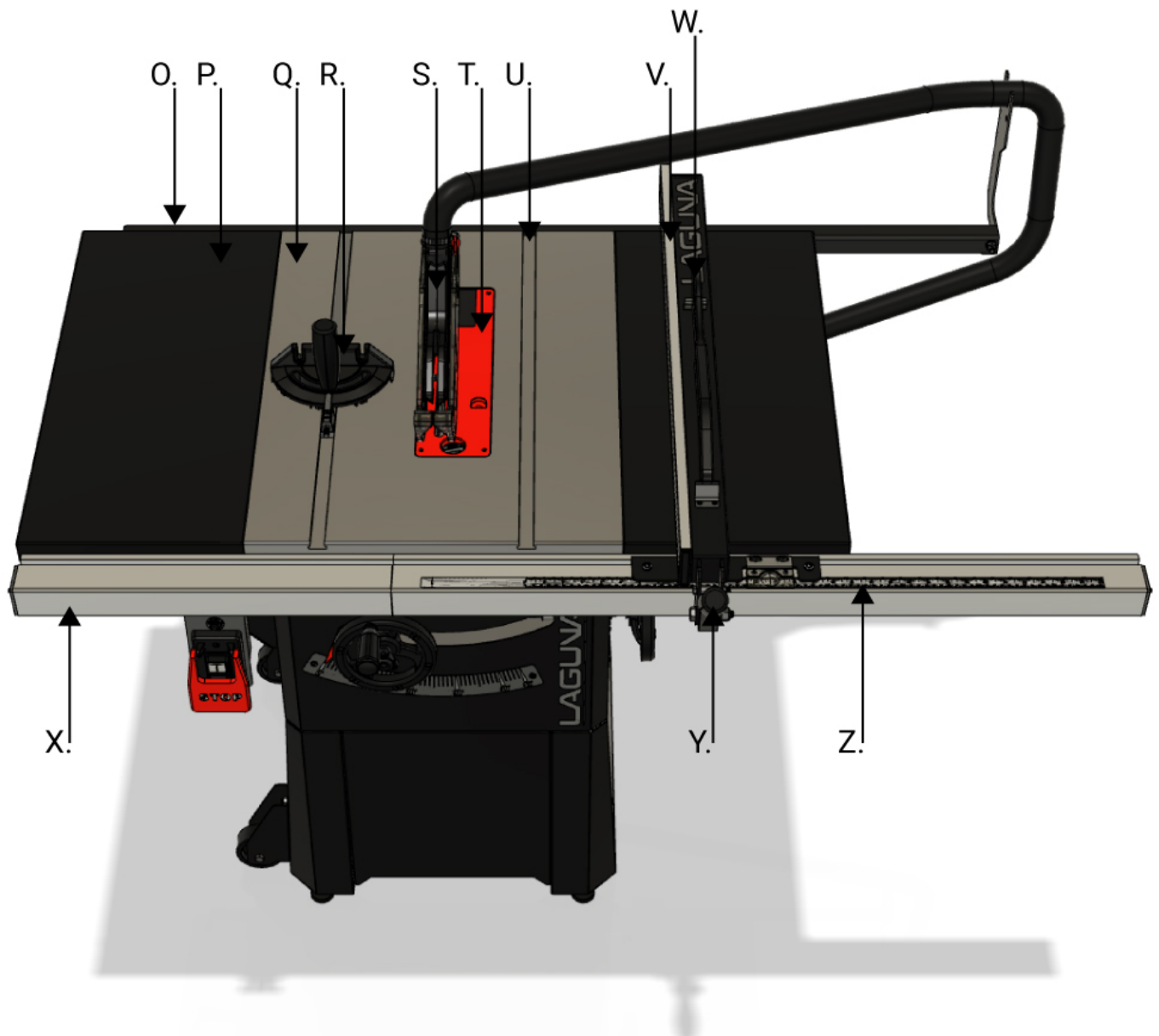
- | | | | |
|-------------------------------|--------------------------------|-------------------------------|-----------------------------|
| A. Motor Reset | B. ON | C. OFF | D. Arbor Tilt Wheel |
| E. Blade Guard Storage | F. Riving Knife Storage | G. Miter Gauge Storage | H. Blade Change Tool |
| I. Arbor Height Wheel | J. Arbor Tilt Gauge | K. 4" Dust Outlet | L. Mobility Wheels |
| M. Motor Cover | N. Rip Fence Storage | O. Rear Fence Rail | P. Wing |
| Q. Table | R. Miter Gauge | S. Blade Guard | T. Throat Plate |
| U. Miter Slot | V. Rip Fence | W. Push Stick | X. Front Fence Rail |
| Y. Fence Lock | Z. Rip Fence Scale | | |



- | | | | |
|------------------------|-----------------------------|---------------------------|---------------------------|
| A. Motor Reset | B. ON | C. OFF | D. Arbor Tilt Wheel |
| E. Blade Guard Storage | F. Riving Knife Storage | G. Miter Gauge Storage | H. Blade Change Tool |
| I. Arbor Height Wheel | J. Arbor Tilt Gauge | K. 4" Dust Outlet | L. Mobility Wheels |
| M. Motor Cover | N. Rip Fence Storage | O. Rear Fence Rail | P. Wing |
| Q. Table | R. Miter Gauge | S. Blade Guard | T. Throat Plate |
| U. Miter Slot | V. Rip Fence | W. Push Stick | X. Front Fence Rail |
| Y. Fence Lock | Z. Rip Fence Scale | | |



- | | | | |
|------------------------|---------------------------|---------------------------|----------------------------|
| A. Motor Reset | B. ON | C. OFF | D. Arbor Tilt Wheel |
| E. Blade Guard Storage | F. Riving Knife Storage | G. Miter Gauge Storage | H. Blade Change Tool |
| I. Arbor Height Wheel | J. Arbor Tilt Gauge | K. 4" Dust Outlet | L. Mobility Wheels |
| M. Motor Cover | N. Rip Fence Storage | O. Rear Fence Rail | P. Wing |
| Q. Table | R. Miter Gauge | S. Blade Guard | T. Throat Plate |
| U. Miter Slot | V. Rip Fence | W. Push Stick | X. Front Fence Rail |
| Y. Fence Lock | Z. Rip Fence Scale | | |



Setup Help Sections

Receiving

It is likely that your machine will be delivered by a third party. Before unboxing, be sure to inspect the packaging and shipping documents supplied by the driver. Ensure that there is no visible damage to the shipment. If any damage has occurred because of shipment, note the damage on the bill of lading or refuse the shipment. Immediately call the dealer store where the machine was purchased.

1. Never accept a shipment that is damaged or partial without notifying the shipping company and the purchasing store.

Placement

Prior to removing the machine from the packaging, decide the operating location of the machine. The dimensions and floor space can be found here: Dimensions.

1. There should be sufficient area at the front of the machine to allow you to work on it comfortably.
2. There should be sufficient area at the back of the machine to allow access for adjustments and maintenance to be conducted.
3. The better the lighting the more accurately and safely you will be able to work.
4. You should select a solid flat floor, preferably one made of concrete or something similar.
5. Locate it close to a power source and dust collection (if applicable).

Unboxing

Once in place, carefully unbox and remove all components. Unboxing guidelines:

1. Do not cut deep into a box with a blade as it could scratch the paint; only cut deep enough to cut the tape or use a dull edge.
2. Prior to setting up the machine, organize all hardware and setup tools needed.

Base & Cabinet

Setup the base according to the following diagram. If you purchased the wheels, now is a great time to install them. They can go on the left or the right side, but it makes a lot more sense to put them on the left.



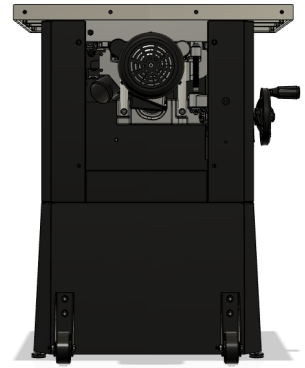
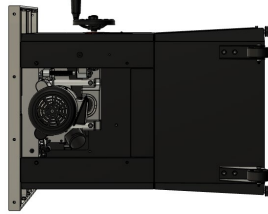
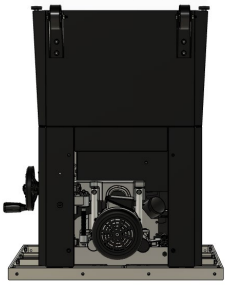
With the base put together, remove the motor cover of the saw body.



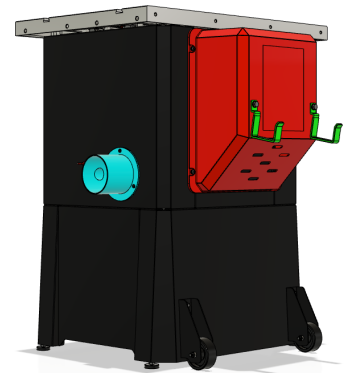
To bolt the base to the cabinet, make sure the saw blade and all spreaders are removed and lay the cabinet on the cast iron top against some cardboard.



Proceed to bolt the stand onto the cabinet. Careful put the saw back on its feet when finished.

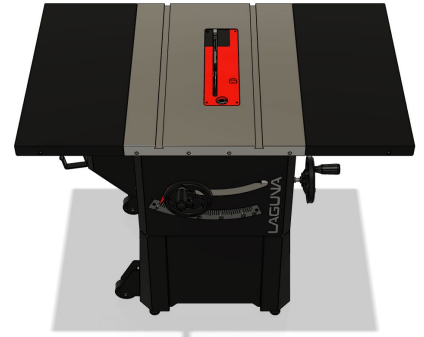
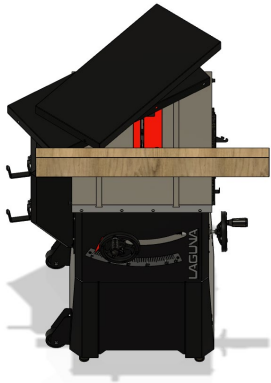


Now bolt on the motor cover, dust port, fence storage hangers, and dust port.

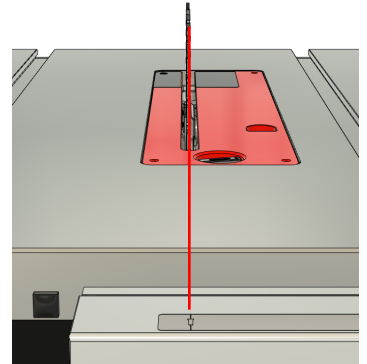
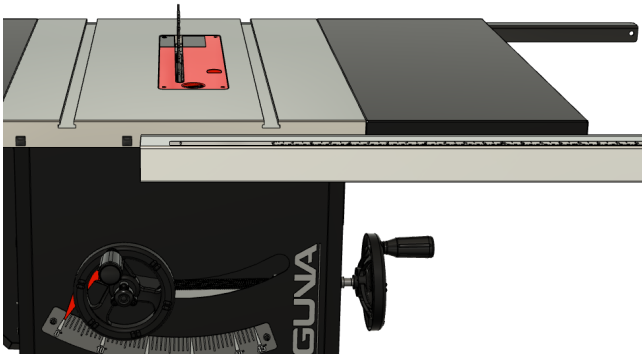


Wings, Rails, & Fence

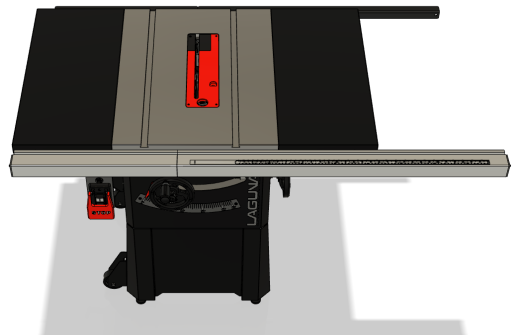
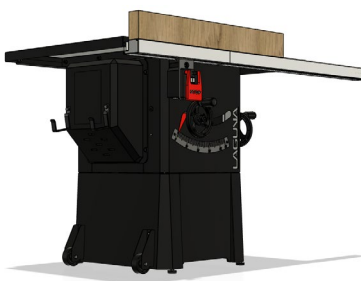
Attached the wings. Use a flat material to level and then bolt down.



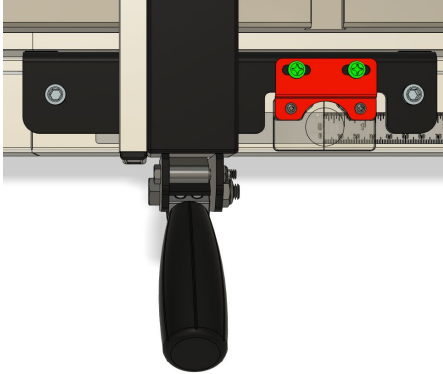
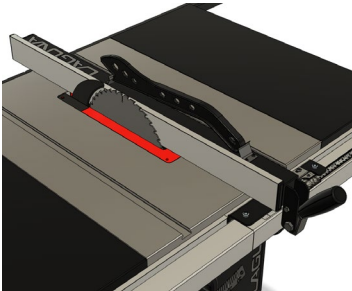
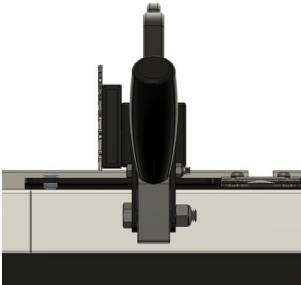
Align the front fence to the blade using the notch on the scale.



Use a flat material to level and attach the fence guides. **Make sure to install the switch.**



Put on the fence and calibrate it by loosening and moving the scale.



Maintenance & Troubleshooting

⚠ WARNING! Never perform and setup, maintenance or adjustment procedures with the machine connected to the power source!

⚠ WARNING! If you have any doubt about the described procedure, seek professional assistance. Do not attempt any procedure that you feel is unsafe, or that you do not have the physical capability of achieving.

⚠ WARNING! When removing banding, extreme caution must be used as the banding will spring when cut.

⚠ CAUTION! The machine is heavy. Ensure that you have enough people to do the job safely.

TECH TIP There may be sawdust in or around your new machine as a result of thorough testing.

General

Keep your machine clean. At the end of each day, clean the machine. Wood contains moisture, and if sawdust or wood chips are not removed, they will cause rust. In general, we recommend that you only use a Teflon-based lubricant on the saw. Regular oil attracts dust and dirt. Teflon lubricant tends to dry and has less of a tendency to accumulate dirt and saw dust. Periodically check that all nuts and bolts are tight.

Drive belt

The drive belt should last for many years (depending on the usage) but needs to be inspected regularly for cracks, cuts and general wear. If damage is found, replace the belt.

Bearings

All bearings are sealed for life and do not require any maintenance. If a bearing becomes faulty, replace it.

Rust

The saw is made from steel and cast iron. All non-painted surfaces will rust if not protected. It is recommended that they be protected by applying wax or a Teflon-based lubricant to them.

<p>Daily Check:</p> <ul style="list-style-type: none"> • Loose mounting bolts • Damaged saw blade • Damaged riving knives, splitters, or blade guards • Worn or damaged wires • Any other unsafe condition 	<p>Weekly Maintenance:</p> <ul style="list-style-type: none"> • Clean table surface and miter slot grooves • Clean and protect cast iron table • Clean rip fence
<p>Monthly Maintenance:</p> <ul style="list-style-type: none"> • Clean/vacuum dust buildup from inside cabinet and off motors. • Check/replace belt for proper tension, damage or wear 	<p>Every 6–12 Months:</p> <ul style="list-style-type: none"> • Lubricate trunnion slides. • Lubricate worm gear. • Lubricate leadscrew. • Lubricate gearing and gearboxes.

Safety Device Alignment

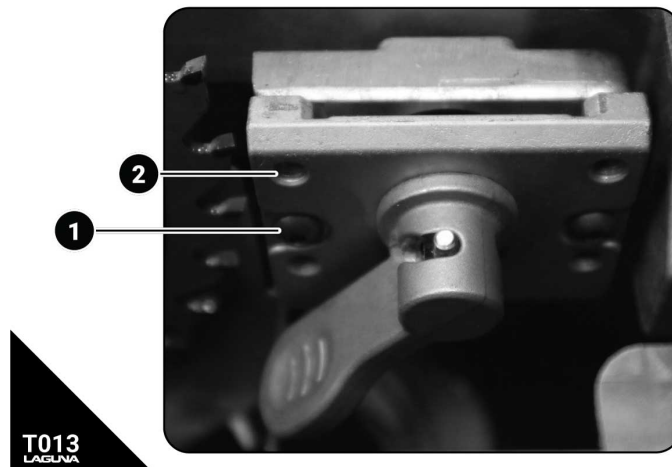


Fig T013: Safety Device adjustments. (1) locking bolts. (2) adjustment set screws.

The riving knife, blade guard, or splitter must be aligned with the blade to be used effectively. The riving knife should only be used with blades specified on the riving knife (or vice versa). To adjust the position of the blade safety attachments, relative to the saw blade:

- Loosen the two locking bolts. These two bolts fasten the assembly in-between the set screws and the arbor block.
- Adjust the set screws as needed to correct the out-of-align blade attachment. Do small adjustments and check.

Table/Blade/Fence Alignment

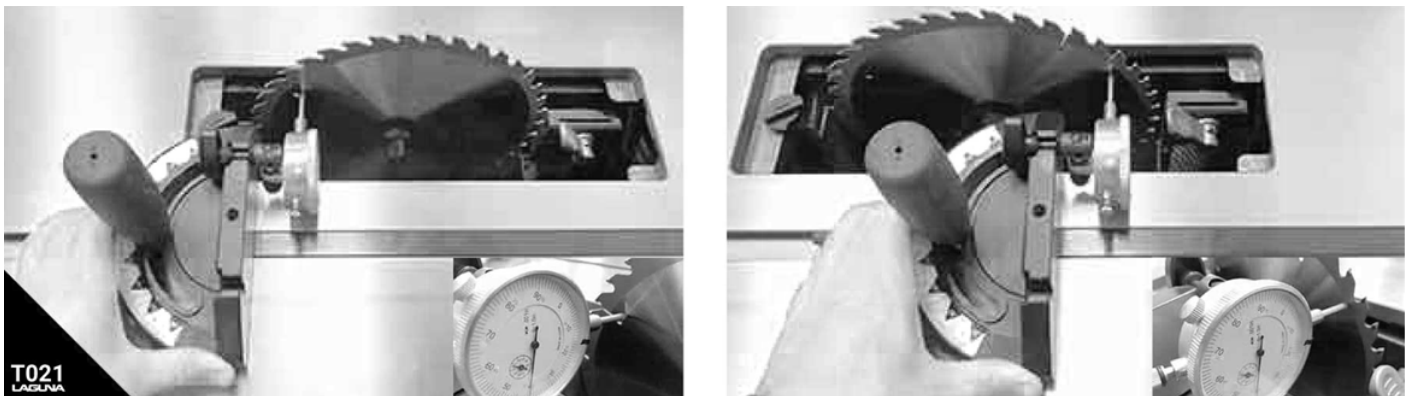


Fig T021: Blade/Table alignment with mitre gauge and dial indicator.

It is good practice to make sure that the table is always parallel to the blade by checking it often. You can do this with a combination square or with a dial indicator on an appropriate mount. There are several dedicated tools to do this job well like the saw gauge sold by WoodPeckers®.

With the throat plate and all attachments removed, raise the blade to the highest position at 90 degrees with the table. Take an initial measurement about ½ inch from the ground edge of the blade as shown.

Keep the miter gauge against the left rail and slowly move across the blade. Take the second measurement and compare with the initial measurement. Adjust the table to compensate false measurements. There are 3 bolts to loosen prior to adjusting the table.

TECH TIP The fusion 1 should not come out of square as the trunnion is bolted to the table. If the procedure results in false measurement, please check the blade and arbor nut prior to any further adjustments.

Troubleshooting

Behavior	Possible Causes	Solutions
Machine will not start or continues to trip the breaker.	<ol style="list-style-type: none"> 1. Start capacitor at fault. 2. Motor connection wired wrong. 3. Wiring at fault. 4. Motor Start/Stop switch at fault. 5. Motor at fault. 6. Run capacitor at fault. 7. Wall circuit breaker tripped or at fault. 8. Power supply switched OFF or at fault. 9. Plug/receptacle at fault or wired incorrectly. 	<ol style="list-style-type: none"> 1. Test/replace if faulty. 2. Correct motor wiring connections. 3. Check/fix broken, disconnected, or corroded wires. 4. Replace switch. 5. Test/repair/replace. 6. Test/replace if faulty. 7. Ensure circuit size is correct/replace weak breaker. 8. Ensure power supply is on/has correct voltage. 9. Test wires and contacts; correct the wiring.
Machine is excessively loud or is experiencing excessive vibration.	<ol style="list-style-type: none"> 1. Motor or component loose. 2. Blade at fault. 3. Motor mount loose/broken. 4. Machine incorrectly mounted. 5. Arbor pulley loose. 6. Belts worn or loose. 7. Pulley loose or at fault. 8. Arbor bearings at fault. 	<ol style="list-style-type: none"> 1. Inspect/replace damaged bolts/nuts, and re tighten with thread-locking fluid. 2. Replace warped/bent blade; re-sharpen dull blade. 3. Tighten/replace. 4. Tighten mounting bolts; relocate/shim machine. 5. Re-tighten/replace arbor pulley. 6. Adjust tension of/replace belt. 7. Realign/replace shaft, pulley, setscrew, and key. 8a. Replace arbor housing bearings; replace arbor. 8b. Test by rotating shaft; grinding/loose shaft requires bearing replacement.
Machine trips the overload, or feels underpowered during operation.	<ol style="list-style-type: none"> 1. Feed rate/cutting speed too fast. 2. Workpiece material unsuitable for machine. 3. Pulley/sprocket slipping on shaft. 4. Motor bearings at fault. 5. Contactor (internal breaker) at fault. 6. Motor overheated. 7. Workpiece crooked; fence not aligned. 8. Machine undersized for task; wrong blade. 9. Run capacitor at fault. 10. Belt is slipping from pulley. 11. Motor wired incorrectly. 12. Plug/receptacle at fault. 	<ol style="list-style-type: none"> 1. Decrease feed rate/cutting speed. 2. Only cut wood; ensure moisture is below 20%. 3. Test for good contacts/correct wiring. 4. Replace loose pulley/shaft. 5. Test/repair/replace. 6. Test all legs for power/replace if faulty. 7. Clean motor, let cool, and reduce workload. 8. Straighten or replace workpiece; adjust fence. 9. Use correct blade; reduce feed rate or depth of cut. 10. Test/repair/replace.

	13. Motor at fault.	11. Adjust tension of/replace belt. 12. Wire motor correctly. 13. Test/repair/replace.
Dust Collection	1. Inadequate suction 2. No suction	1. The optional zero clearance throat plate will supply better dust collection than the standard die cast throat plate. 2. move motor cover and verify that the internal hose is fixed to the blade shroud port and the external 4" port.

Wiring

⚠ WARNING! VOLTAGE. Before connecting this tool to a power supply (receptacle, outlet, etc.) make sure that the voltage supplied is the same that is specified on the nameplate of the tool. **IF IN DOUBT, DO NOT PLUG IN THE MACHINE.** Using this tool with a voltage different than that stated on the nameplate can damage the electrical components of this machine and any such damage will not be covered by a warranty.

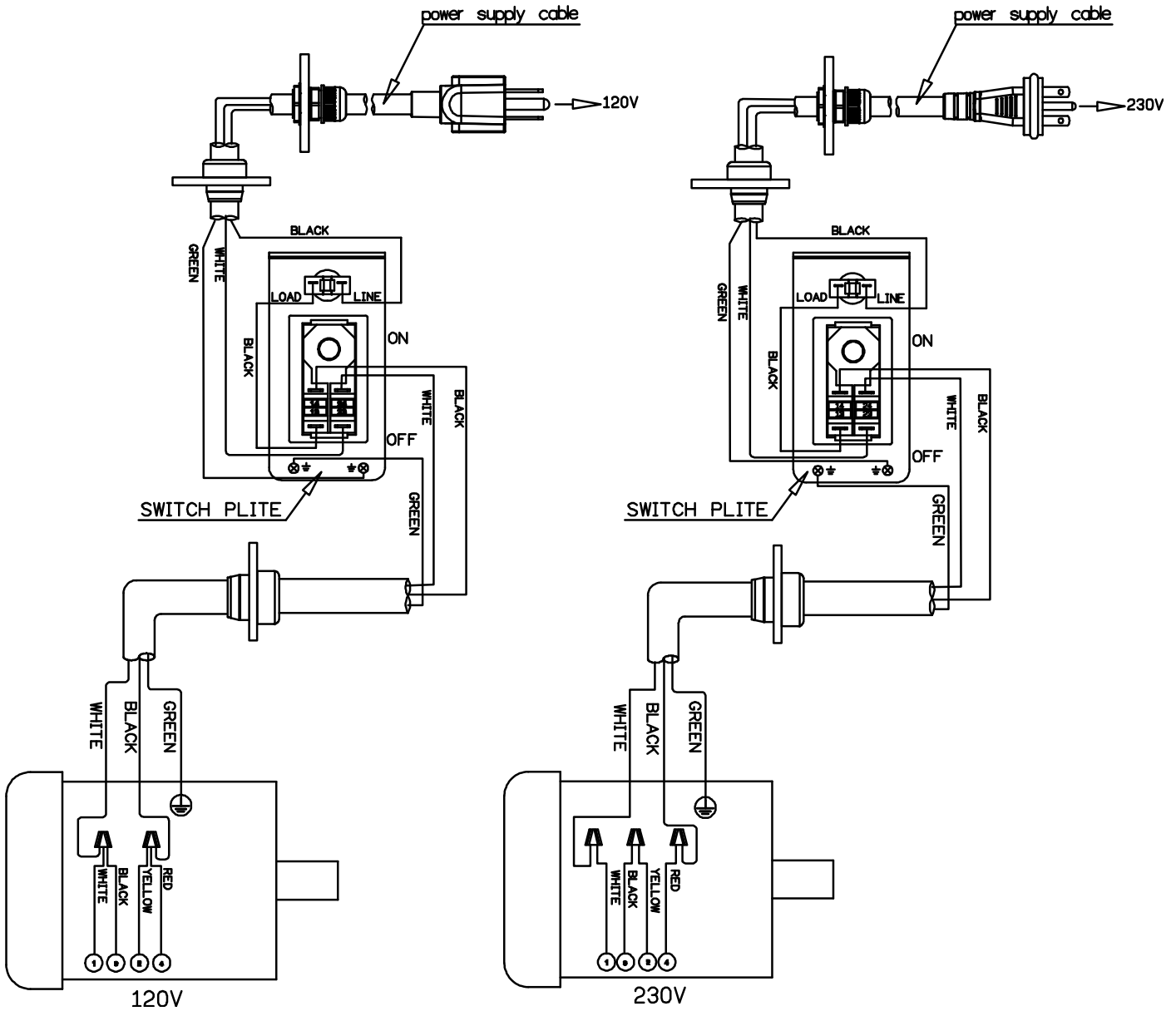
⚠ WARNING! CIRCUIT BREAKER. Also make sure that the power supply is equipped with the appropriate breaker and plug according to your local electrical code. To do this, first check the motor plate to get the FLA amperage of the machine, if worn out or not present then refer to the specifications sheet. If there is any doubt in regards to choosing the appropriate circuit breaker, please consult an electrician or an electrical supply source.

⚠ WARNING! ELECTRICAL SHOCK. It is extremely dangerous to work on live wires and/or electrical systems that are connected to a power source. **ALWAYS** disconnect the power from the machine prior to performing any maintenance or adjustments.

⚠ WARNING! MOTOR WIRING: The information in this manual was current at the time of printing but may be different than the diagram on your machine. **ALWAYS** use the supplied wiring diagram with the machine or motor (under the electrical covering) if present.

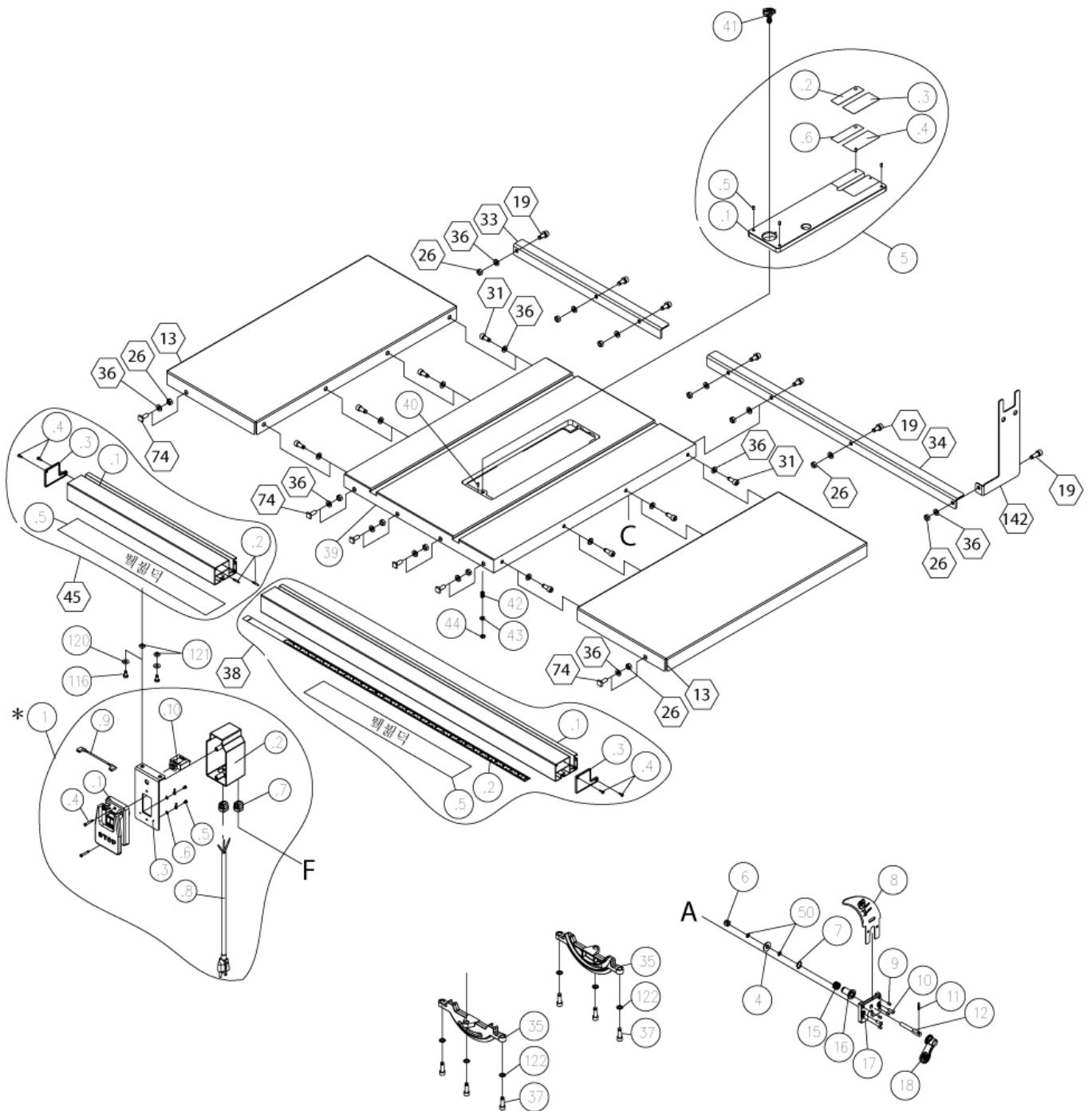
Fusion F1 Table Saw (MTSF132110150-0130)

In order to change from 110V to 220V, a new 220V switch must be purchased and installed (Part No. 937949-001). With then 220V switch, wire it to the motor using the following diagram.

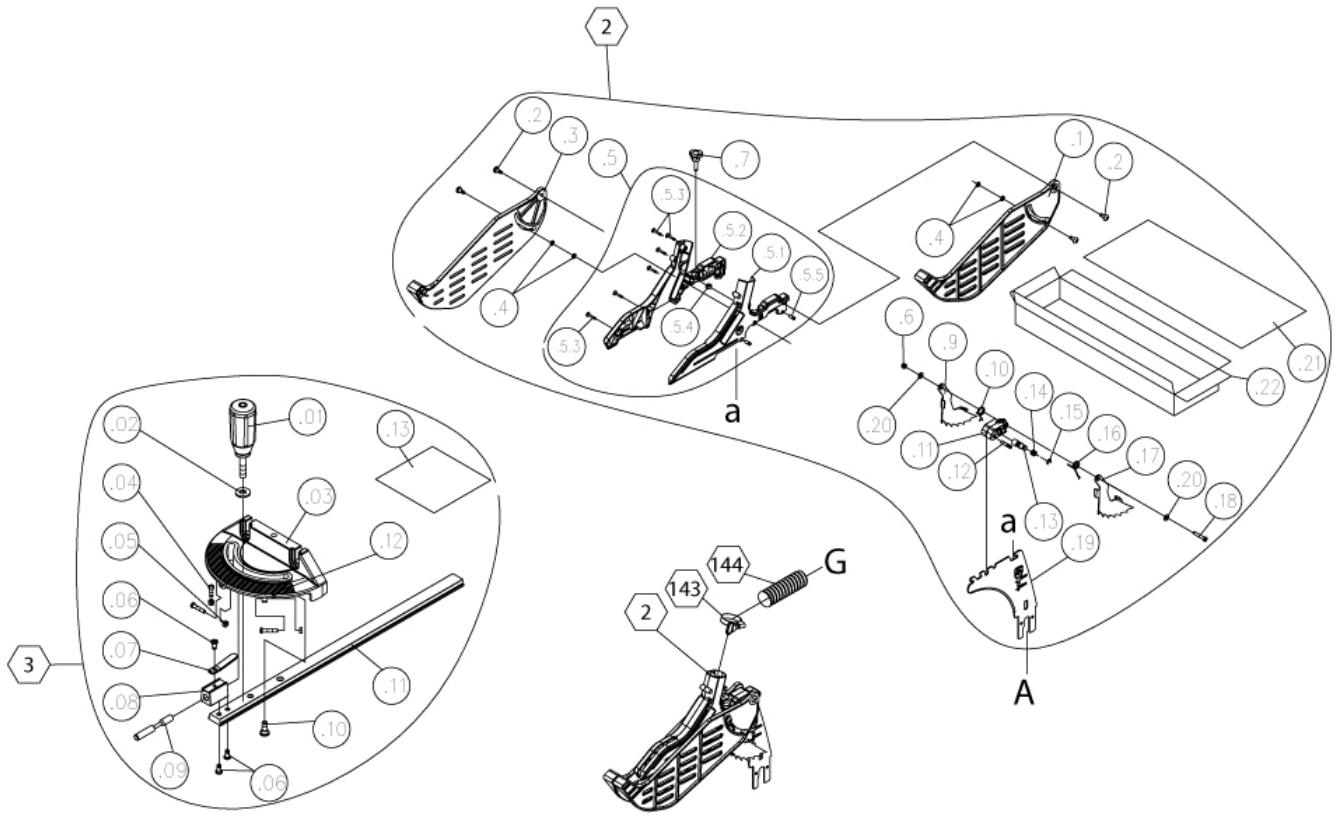


Parts

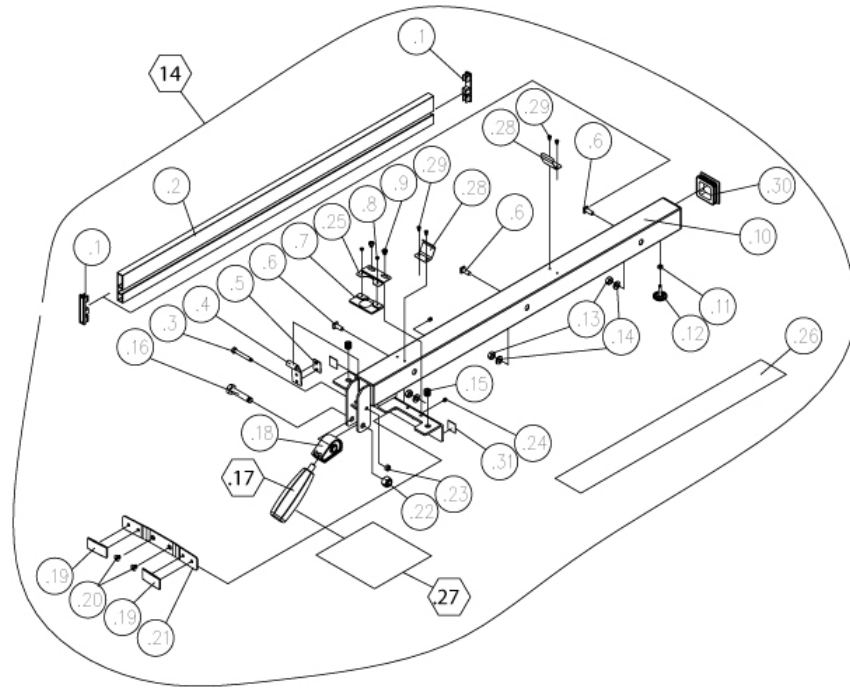
Table & Fence Rails



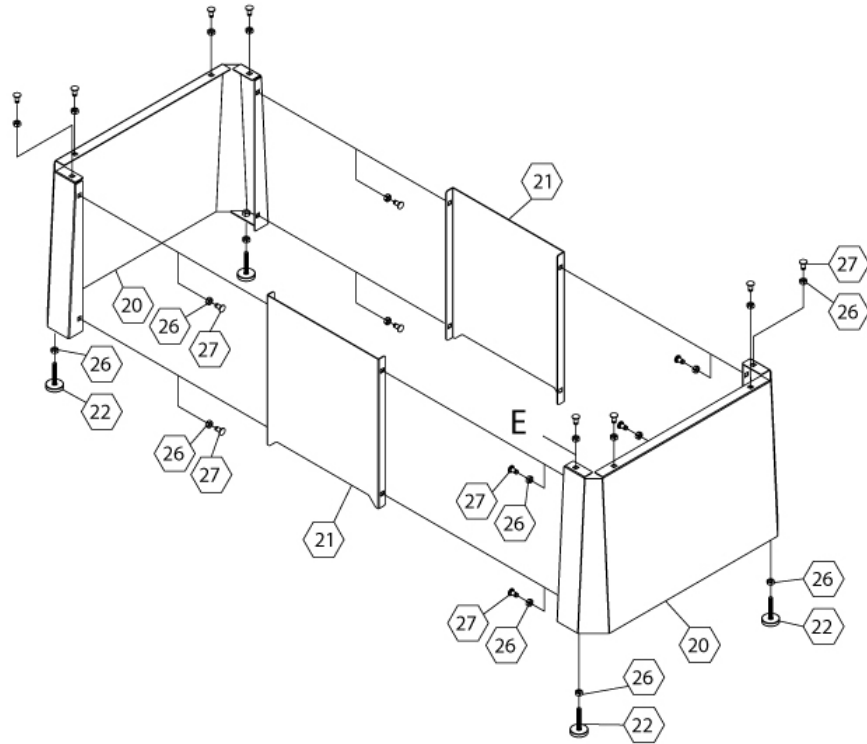
Blade Guard & Miter Gauge



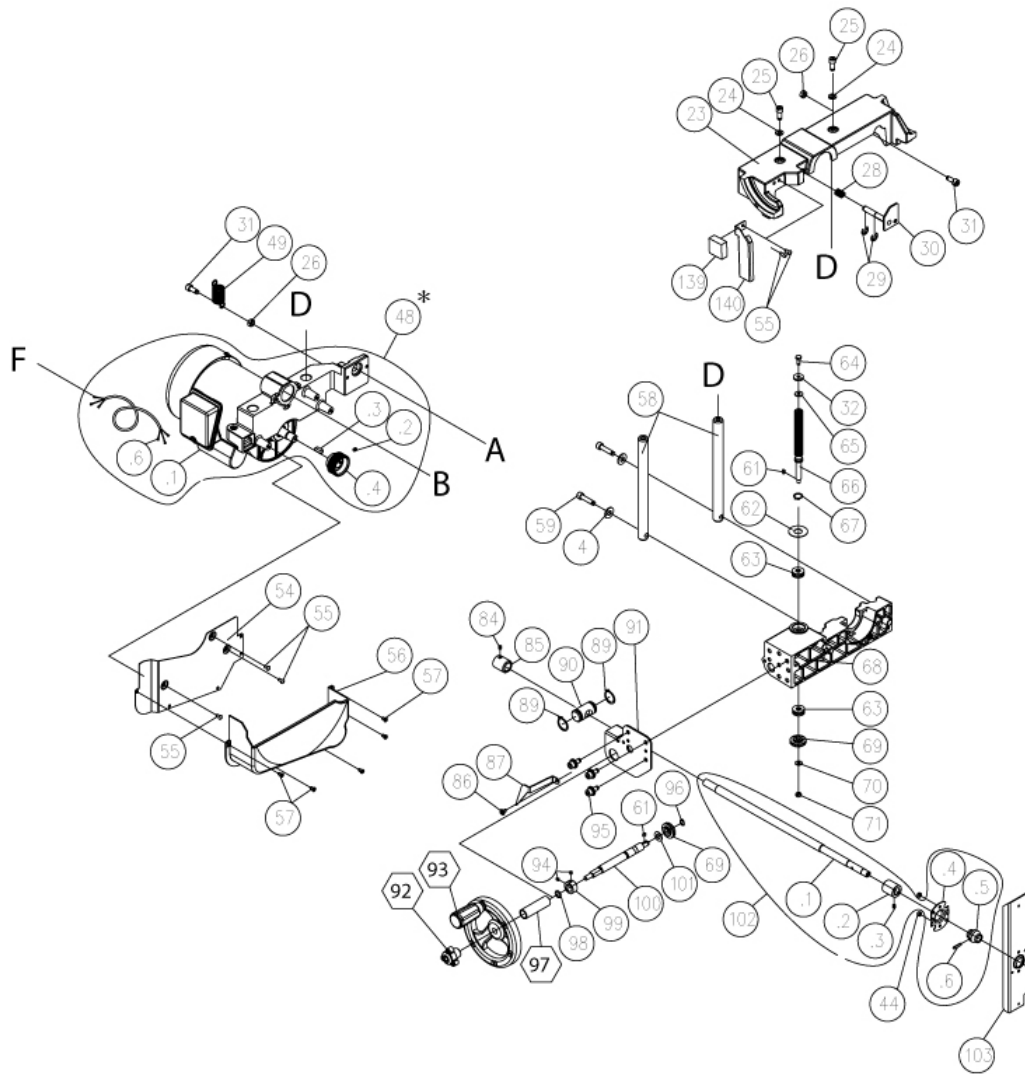
Fence



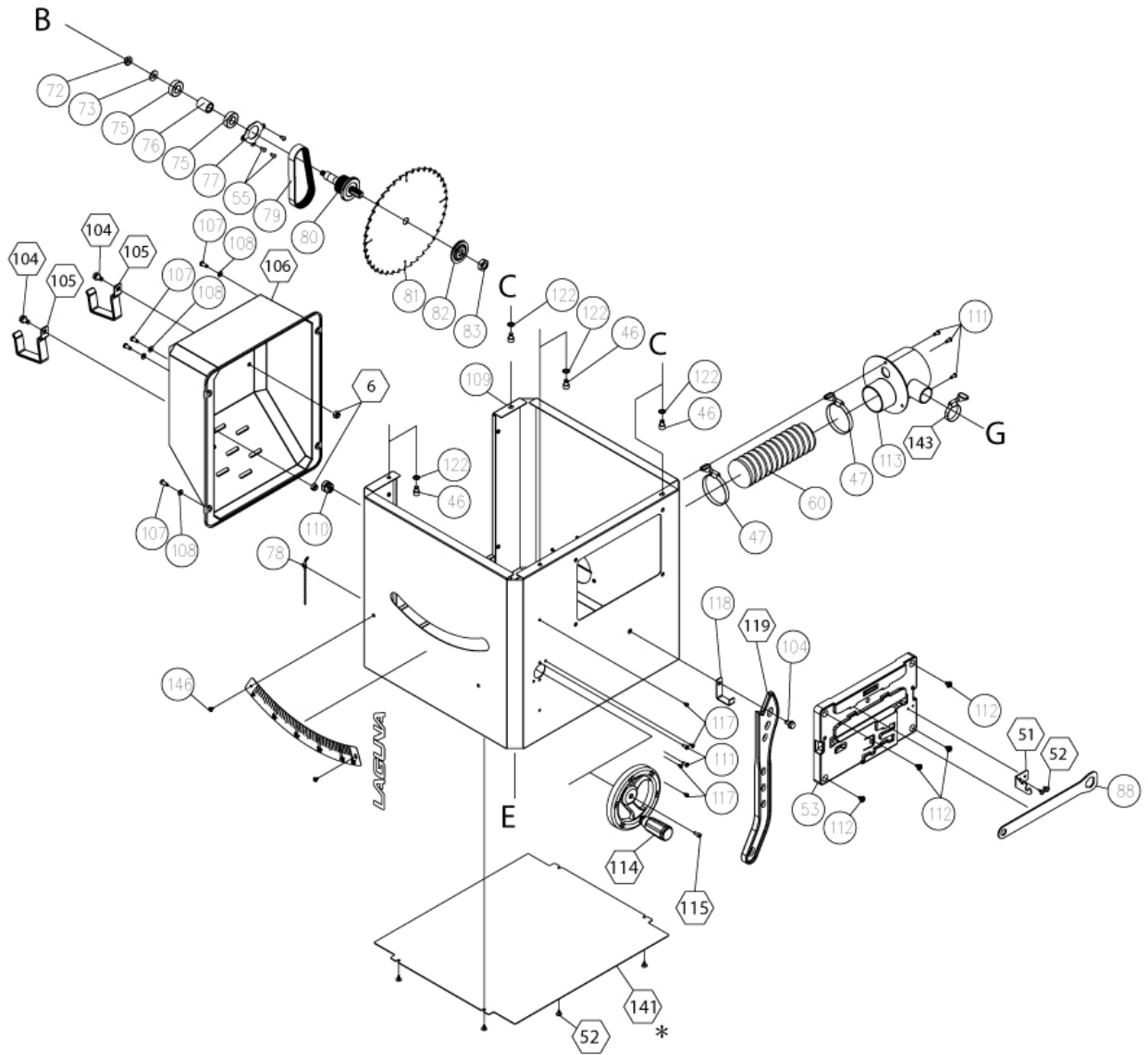
Base



Motor & Trunnions



Cabinet & Arbor



Fusion F1 Table Saw Parts Table (MTSF132110150-0130)

KEY	PART NO.	DESCRIPTION	SPECIFICATION	QTY
*1	937948-001	Magnetic Switch Assembly	120V	1
*1	937949-001	Magnetic Switch Assembly	230V	1
2	924883-000	Blade Guard Assembly		1
2.1	251246-000	Right Cover		1
2.2	290073-905	Shoulder Shaft		4
2.3	251247-000	Left Cover		1
2.4	043317-000	O-Ring	P006	4
2.5	924884-000	Blade Guard Support Assembly		1
2.5.1	924885-000	Support (L)		1
2.5.2	924886-000	Support (R)		1
2.5.3	001201-002	Tapping Screw	M4*1.41P*20	6
2.5.4	008005-200	Hex. Nut	M6*1.0P(10B*5H)	1
2.5.5	360960-901	Pin		2
2.6	008302-100	Lock Nut	M5*0.8P(8B*6H)	1
2.7	230336-615	Bolt		1
2.9	171378-904	Anti-Kick Finger -Left		1
2.10	280162-901	Spring		1
2.11	251311-615	Block		1
2.12	360864-000	Pin		1
2.13	360865-901	Spreader Shaft		1
2.14	280160-901	Spring		1
2.15	010204-000	Retaining Ring	ETW-7	1
2.16	280163-901	Spring		1
2.17	171379-904	Anti-Kick Finger -Right		1
2.18	000303-110	Pan Head Screw	M5*0.8P*30	1
2.19	174397-904	Spreader		1
2.20	006001-012	Flat Washer	5.3*12*1.0t	2
3	924586-000	Miter Gauge Assembly		1
3.1	230140-615	Miter Gauge Handle Assembly		1
3.2	006002-051	Flat Washer	8.5*18*3.0t	1
3.3	090109-008	Miter gauge body		1
3.4	000302-108	Pan Head Screw	M4*0.7P*20	3
3.5	008002-100	Hex Nut	M4*0.7P(7B*3.2H)	3
3.6	003303-105	Pan Head Screw	3/16"-24NC*3/8"	3
3.7	250226-620	Pointer		1
3.8	130053-903	Spacer		1
3.9	360381-901	Angle Set Bar		1
3.10	290023-902	Shoulder Screw		1
3.11	310496-904	Slot Bar		1
3.12	571614-000	Miter Scale		1
3.14	043716-000	O Ring	AS008	1
4	006001-045	Flat Washer	8.5*16*1.0t	3
5	924512-000	Table Insert Assembly		1
5.1	090341-156	Table Insert		1
5.2	270078-902	Wear Plate -Left		1
5.3	270077-902	Wear Plate -Right		1
5.4	420022-000	Double-Sided Adhesive		1
5.5	001901-104	Set screw	M5*0.8P*12	4
5.6	420023-000	Double-Sided Adhesive		1
6	008306-100	Lock Nut	M8*1.25P(13B*9H)	3
7	010005-000	S ring	STW-14	1

8.....	174396-904.....	Riving Knife.....		1
9.....	001902-110.....	Set nylock screw.....	M6*1.0P*8.....	4
10.....	000804-105.....	Round Head Screw.....	M5*0.8P*20.....	2
11.....	361251-905.....	Pin.....		1
12.....	361250-901.....	Fixing Knob.....		1
13.....	924628-001.....	Extension Table.....		2
14.....	924574-000.....	Fence Assembly.....		1
14.1.....	250483-615.....	End Cap.....		2
14.2.....	310100-909.....	Adaptor.....		1
14.3.....	000002-308.....	Hex. screw.....	M6*1.0P*45.....	1
14.4.....	171993-904.....	Bracket.....		1
14.5.....	250602-621.....	Frictional Plate.....		1
14.6.....	048701-101.....	Square Bolt.....	M8*1.25P*20.....	3
14.7.....	250799-620.....	Pointer.....		1
14.8.....	001101-205.....	Round Head Tapping Screw.....	M3*1.06P*6.....	2
14.9.....	000304-210.....	Pan Head Screw.....	M6*1.0P*6.....	2
14.10.....	174310-308.....	Fence Body.....		1
14.11.....	008005-100.....	Hex Nut.....	M6*1.0P(10B*5H).....	1
14.12.....	250587-615.....	Frictional Wheel.....		1
14.13.....	008006-100.....	Hex Nut.....	M8*1.25P(13B*6.5H).....	3
14.14.....	006001-049.....	Flat Washer.....	8.5*16*2t.....	3
14.15.....	250472-621.....	Plastic Set Screw.....	M12*1.75P.....	2
14.16.....	000004-306.....	Hex. screw.....	M10*1.5P*50.....	1
14.17.....	230301-615.....	Handle.....		1
14.18.....	922141-000.....	Compress Cam Assembly.....		1
14.19.....	250471-621.....	Frictional Plate.....		2
14.20.....	002103-103.....	Flat Head Screw.....	M6*1.0P*8.....	2
14.21.....	174313-904.....	Bracket for Frictional Plate.....		1
14.22.....	008308-100.....	Lock Nut.....	M10*1.5P(17B*12H).....	1
14.23.....	008304-100.....	Lock Nut.....	M6*1.0P(10B*6H).....	1
14.24.....	001902-109.....	Set nylock screw.....	M6*1.0P*6.....	2
14.25.....	172847-905.....	Bracket for Pointer.....		1
14.28.....	270007-901.....	Spring Plate.....		2
14.29.....	000302-101.....	Pan Head Screw.....	M4*0.7P*6.....	4
14.30.....	250557-615.....	End Cap.....		1
14.31.....	574997-000.....			2
15.....	280259-901.....	Spring.....		1
16.....	130363-903.....	Bushing.....		1
17.....	110073-000.....	Block.....		1
18.....	110071-000.....	Lock Handle.....		1
19.....	001803-103.....	Cap Screw,Lock Washer.....	M8*1.25P*25/8.2*13.7.....	7
20.....	924629-001.....	Base Legs.....		2
21.....	924630-001.....	Base Panels.....		2
22.....	230109-615.....	Leveling foot.....		4
23.....	090323-000.....	Upper Trunnion.....		1
24.....	006305-100.....	Spring Washer.....	8.2*13.7.....	2
25.....	002601-102.....	Cap nylock screw.....	M8*1.25P*20.....	2
26.....	008006-100.....	Hex Nut.....	M8*1.25P(13B*6.5H).....	35
27.....	001001-101.....	Shoulder Screw.....	M8*1.25P*16.....	16
28.....	280260-901.....	Spring.....		1
29.....	010206-000.....	Retaining Ring.....	ETW-9.....	2
30.....	174325-156.....	Arbor Lock Handle.....		1
31.....	000104-106.....	Cap Screw.....	M8*1.25P*20.....	10

32	006001-020	Flat Washer	6.2*20*3.0t	1
33	924631-001	Rear Rail (L)		1
34	924632-001	Rear Rail (R)		1
35	110020-000	Trunnion Support		2
36	006001-049	Flat Washer	8.5*16*2.0t	21
37	000104-108	Cap Screw	M8*1.25P*25	6
38	924575-000	Front Rail (R) Assembly		1
38.1	310503-909	Front Rail		1
38.2	574874-000	Scale	30"	1
38.3	250699-615	End Cap		1
38.4	001102-604	Round Head Phillip Screw	M4*1.59P*12	2
39	051408-000	Table		1
40	011001-103	Spring Pin	3*10	1
41	251243-615	Knob		1
42	280179-000	Spring		1
43	006001-010	Flat Washer	5.2*12*1.5t	1
44	008302-100	Lock Nut	M5*0.8P(8B*6H)	3
45	924576-000	Front Rail Assembly		1
45.1	310502-909	Front Rail (L)		1
45.2	360249-905	Pin		2
45.3	250698-615	End Cap		1
45.4	001102-604	Round Head Phillip Tapping Screw	M4*1.59P*12	2
46	000104-103	Round Head Phillip Screw	M8*1.25P*12	4
47	042608-000	Clamp	I.D.60-80mm	1
48	901156-001	Motor Assembly	1.5HP 115/230V 60HZ 1PH Prewire 120V	1
48.1	603158-008	Motor		1
48.2	001902-109	SET Lock Screw	M6*1.0P*6	1
48.3	012206-002	Key	6*6*18	1
48.4	110072-000	Motor Pulley	60HZ	1
48.6	473003-058	Connect Cord	SJT14AWG*3C*1050mm	1
49	280266-000	Spring		1
50	006702-100	Wave Washer	WW-8	2
51	174398-904	Hook		1
52	001104-703	Round Head Screw	M5*2.12P*12	6
53	251251-615	Storage Box		1
54	174773-000	Fixing Plate		1
55	002503-101	Round Head Socket Lock Screw	M5*0.8P*12	8
56	251398-615	Dust Hood		1
57	002002-101	Pan Head nylock Screw	M5*0.8P*8	5
58	361246-000	Column		2
59	002601-108	Cap nylock screw	M8*1.25P*35	2
60	042620-009	Dust Hose	2.5"*460mm	1
61	012002-003	Key	4*4*8	2
62	174324-000	Washer		1
63	031011-001	Ball Bearing	51100	2
64	000002-103	Hex. Screw	M6*1.0P*16	1
65	006007-114	Flat Washer	6.4*16*1.6t	1
66	361245-901	Lead Screw		1
67	010007-000	S ring	STW-16	1
68	090324-000	Trunnion		1
69	130257-000	Bevel Gear		2
70	006001-025	Flat Washer	6.4*16*1.0t	1
71	008317-300	Lock Nut	M6*1.0P(10B*5H)	1

72	008316-200	Lock Nut	M10*1.5P(17B*8H)	1
73	006001-075	Flat Washer	10.3*22*2.0t	1
74	048701-101	Square Bolt	M8*1.25P*20	6
75	030211-002	Ball Bearing	6003	2
76	190270-901	Spacer		1
77	174305-901	Fixed Plate		1
78	230297-615	Fix Chain		1
79	014302-000	Poly V-Belt	135J6	1
80	381389-902	Arbor		1
81	390017-000	Sawblade	10"*40T	1
82	174399-901	Sawblade clamp		1
83	380205-901	Nut	TW5/8"-12	1
84	001902-109	Set nylock screw	M6*1.0P*6	1
85	130377-903	Stop Ring		1
86	002402-101	Pan Head nylock Screw w/Flat Washer	M5*0.8P*12/5*10.5*1.0t	1
87	174464-156	Pointer		1
88	174315-904	Arbor Wrench		1
89	010011-000	S ring	STW-25	2
90	361290-902	Shaft		1
91	174465-904	Bracket		1
92	920703-000	Fixing Knob		1
93	920715-002	Handwheel Assembly		1
94	000202-101	Set screw	M5*0.8P*5	2
95	001501-101	Cap Screw w/Lock Washer, Flat Washer	M8*1.25P*20/8.2*13.7/8.5*19*2t	3
96	010001-000	S ring	STW-10	1
97	250406-615	Bushing		1
98	043322-000	O Ring	P11	1
99	190273-901	Bushing		1
100	361273-902	Shaft		1
101	006001-078	Flat Washer	10.5*19*1.5t	1
102	924513-000	Lead Screw Assembly		1
102.1	361291-902	Lead Screw		1
102.2	130377-903	Ring		1
102.3	001902-109	Set nylock screw	M6*1.0P*6	1
102.4	170932-901	Fix Plate		1
102.5	130113-000	Adaptor		1
102.6	011002-105	Spring Pin	4*20	1
103	173370-901	Fix Plate		1
104	049201-101	Hex Screw w/Washer	M8*1.25P*16/(13B*6.5H)	1
104	049201-101	Hex Screw w/Washer	M8*1.25P*16/(13B*6.5H)	2
105	170541-904	Slide Shelf		2
106	251239-615	Motor Cover		1
107	000304-107	Pan Head Screw	M6*1.0P*16	4
108	006001-022	Flat Washer	6.3*13*1.0t	4
109	174527-000	Cabinet		1
110	020002-000	Strain Relief	SB7R-1	2
111	000303-104	Pan Head Screw	M5*0.8P*12	5
112	001603-102	Pan Head Screw w/Flat Washer	M6*1.0P*10/6*13.2*1.0t	4
113	251418-615	Hose Adaptor		1
114	920718-002	Handwheel Assembly		1
115	001801-102	Cap Screw w/Lock Washer	M5*0.8P*12-5.1*9.3*1.3t	1
116	000002-101	Hex. screw	M6*1.0P*12	2
117	001103-901	Round Head Phillip Tapping Screw	M4.5*1.81P*9	4

118	170965-904	Fix Plate		1
119	251362-615	Push Sticks		1
120	006001-033	Flat Washer	6.7*16*1.0t	2
121	008603-100	Nut	M6*1.0P(10B*5H)	2
122	006504-100	Tooth washer	8.4*15(BW-8)	10
136	040002-000	Hex. Wrench	2.5mm	1
137	040004-000	Hex. Wrench	4mm	1
138	174569-904	Open Wrench	10*13	1
139	200108-000	Sponge		1
140	174772-000	Chip Block		1
142	174887-904	Brace		1
143	042622-001	Clip	1.5"	2
144	042620-015	Hose	1.5"*2700mm	1
146	001601-101	Round Head Phillip Screw w/Washer	M4*0.7P*8/4*10*0.8t	2

LAGUNA®

2072 Alton Parkway Irvine, CA 92606 U.S.A.

Service: +1 (949) 474-1200 or email customerservice@lagunatools.com
lagunatools.com

The information contained in this publication was correct at the time of print. In the interest of continuous innovation, we reserve the right to change specifications, design or included equipment without notice or obligation. No part of this publication may be reproduced, transmitted, or translated into any language in any form by any means without our written permission. Errors and omissions may be current.

Laguna Tools, Inc. LAGUNA® and the LAGUNA Logo® are the registered trademarks of Laguna Tools, Inc. All rights reserved. 04/01/2019