

**IMPORTANT:**  
Read Before Using

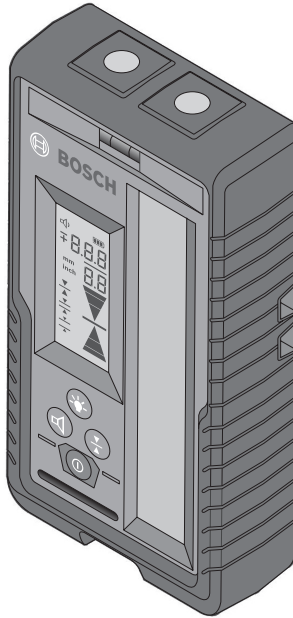
**IMPORTANT :**  
Lire avant usage

**IMPORTANTE:**  
Leer antes de usar



**Operating/Safety Instructions**  
**Consignes de fonctionnement/sécurité**  
**Instrucciones de funcionamiento y seguridad**

**LR20**



**BOSCH**

**Call Toll Free  
for Consumer  
Information &  
Service Locations**

**Pour obtenir des informations  
et les adresses de nos centres  
de service après-vente,  
appelez ce numéro gratuit**

**Llame gratis para  
obtener información  
para el consumidor y  
ubicaciones de servicio**

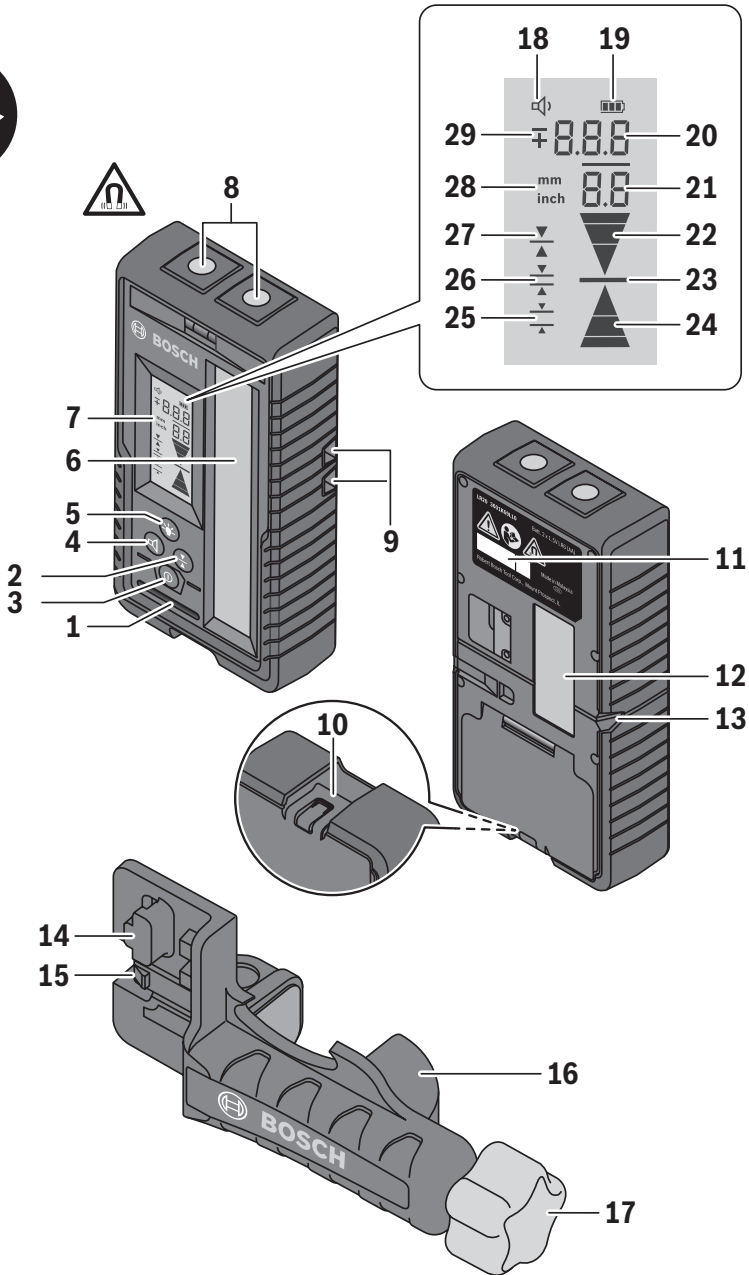
**1-877-BOSCH99 (1-877-267-2499) [www.boschtools.com](http://www.boschtools.com)**

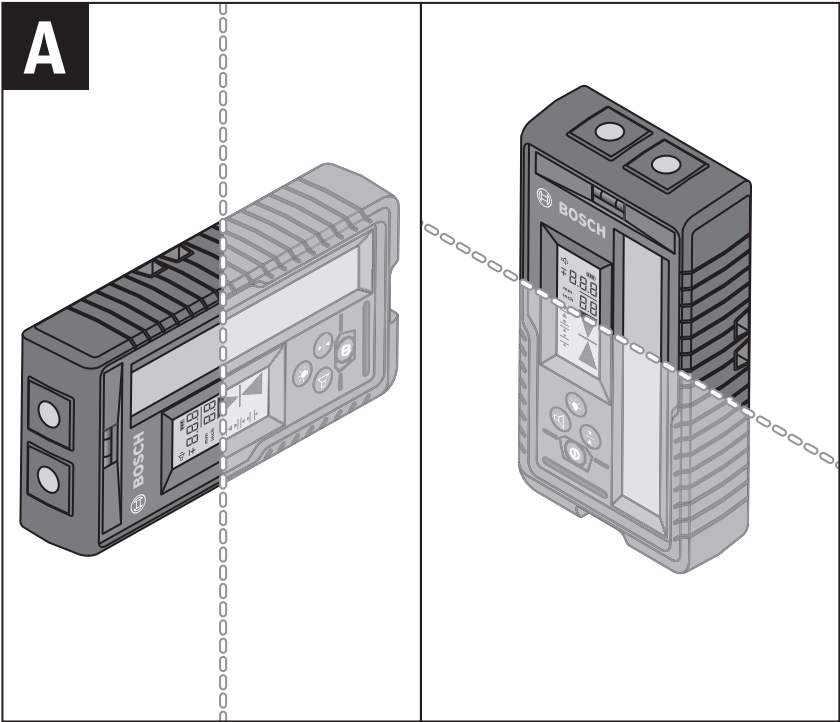
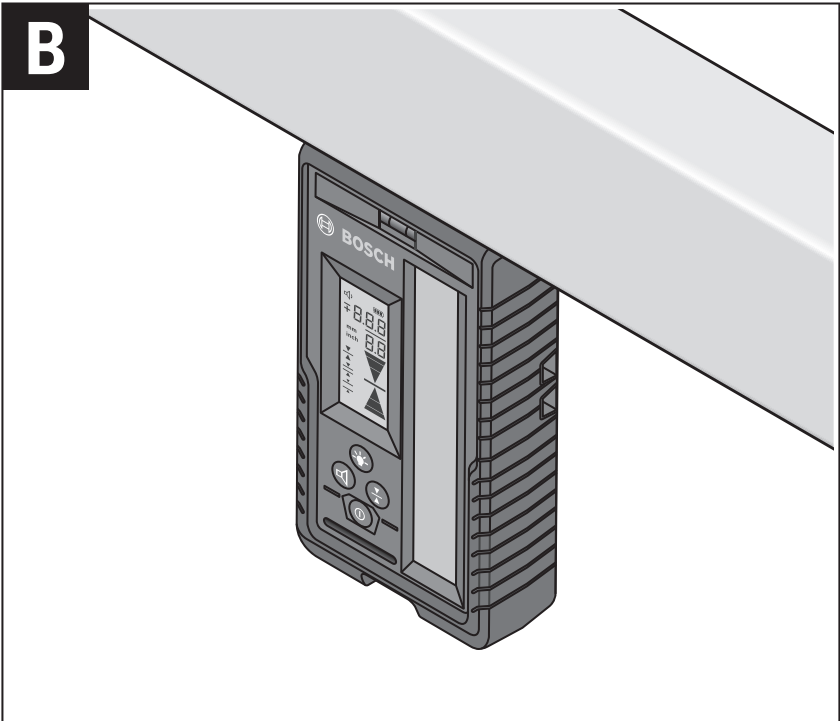
**For English Version  
See page 4**

**Version française  
Voir page 11**

**Versión en español  
Ver la página 17**

# LR20



**A****B**

## LR20 General Safety Rules



**⚠ WARNING** Read all instructions.

Failure to follow all instructions listed below may result in hazardous radiation exposure, electric shock, fire and/or serious injury.



Keep the laser receiver away from implants or other medical devices such as pacemaker or insulin pumps.

The magnets generate a field that can impair the function of implants or medical devices, which may lead to serious personal injury.

- Keep the laser receiver away from magnetic data medium and magnetically sensitive equipment. The effect of the magnet plate 8 can lead to irreversible data loss.
- Have the laser receiver repaired only through qualified specialists using

original spare parts. This ensures that the safety of the laser receiver is maintained.

- Do not operate the laser receiver in explosive environments, such as in the presence of flammable liquids, gases or dusts. Sparks can be created in the laser receiver which may ignite the dust or fumes.
- Read and strictly observe the safety warnings in the operating instructions of the rotational laser.

### Noise Information

The A-weighted sound pressure level of the audio signal at one meter distance is 80 dB(A).

**⚠ WARNING** Do not hold the tool close to your ear.

## LR20 Intended Use

The laser receiver is intended for swift finding of rotating laser beams in the wavelength listed in the "Technical Data".

The laser receiver is suitable for indoor and outdoor use.

## LR20 Preparation

### Inserting/Replacing the Battery

Alkaline batteries are recommended for the laser receiver.

Pull the latch **10** of battery lid outward and open the battery lid.

When inserting batteries, pay attention to the correct polarity according to the representation on the inside of the battery compartment.

When the battery status **19** indicates low appears for the first time on the display **7**, the laser receiver can still be operated for approx. 1 h.

**⚠ WARNING** Remove the batteries from the laser receiver when not using it for extended periods. When storing for extended periods, the batteries can corrode and self-discharge.

## LR20 Features

The numbering of the product features shown refers to the illustration of the measuring tool on the graphic page 2.

- 1** Speaker
- 2** Button for selecting the accuracy
- 3** On/Off button
- 4** Audio level button
- 5** Display Back-light button
- 6** Reception area for the laser beam
- 7** Front Display
- 8** Magnets
- 9** Guide groove for holder
- 10** Latch of battery lid
- 11** Serial number
- 12** Rear display
- 13** Center mark
- 14** Mounting bracket
- 15** Push-button to release the lock
- 16** Rod holder
- 17** Rotary knob of the mounting bracket

### Display Elements

- 18** Audio level indicator
- 19** Battery level indicator
- 20** Offset Display Segments (mm/inch/frac.inch)
- 21** Offset Display Segments (frac.inch)
- 22** Direction indicator “move downward”
- 23** Centre indicator
- 24** Direction indicator “move upward”
- 25** Indicator for “Coarse” resolution
- 26** Indicator for “Medium” resolution
- 27** Indicator for “Fine” resolution
- 28** Inch /mm mode indicator
- 29** “+” or “-” sign for position of laser beam

# LR20 Technical Data

Laser Receiver	LR20
Article number	3601K69L10
Receivable wavelength	635-650 nm
Suitable for rotational laser level	GRL2000-40H, GRL2000-40HV
Working range <sup>1)</sup>	1000 ft (300 m)
Receiving angle	±35°
Receiving rotation speed	150,300,600 min <sup>-1</sup>
Accuracy <sup>2) 3) 4)</sup>	
-Setting "fine"	±1/32 in (±0.05 in) ±1 mm ±1/16 in (±0.1 in) ±2 mm
-Setting "medium"	±1/8 in (±0.15 in) ±3 mm ±1/4 in (±0.25 in) ±5 mm
-Setting "coarse"	±1/2 in (±0.5 in) ±7 mm ±1 in (±1 in) ±10 mm
Operating temperature	14 °F ~ 122 °F (-10 °C ~ +50 °C)
Storage temperature	-4 °F ~ 158 °F (-20 °C ~ +70 °C)
Battery	2 x 1.5V LR6 (AA)
Operating time, approx.	40h <sup>5)</sup>
Weight according to EPTA-Procedure 01:2014	0.661 lb (0.300 kg) without battery 0.765 lb (0.347 kg) with battery
Dimensions	6.22 x 3.15 x 1.33 in (158 x 80 x 33.9 mm)
Degree of protection	IP 66

1) The working range (radius) can be reduced due to unfavorable ambient conditions (e.g. direct sunlight).

2) Depends on distance between laser receiver and rotational laser level.

3) Dependent on laser class and laser type of the rotational laser level.

4) The accuracy can be impacted by unfavorable environmental conditions (e.g. direct sun irradiation).

5) With display illumination and sound deactivated.

The laser receiver can be clearly identified with the serial number **11** on the type plate.

# LR20 Operation

## Initial Operation

- **Protect the laser receiver against moisture and direct sunlight.**
- **Do not subject the laser receiver to extreme temperatures or variations in temperature.** As an example do not leave it in vehicles for a long time. In case of large variations in temperature, allow the laser receiver to adjust to the ambient temperature before putting it into operation. In case of extreme temperatures or variations in temperature, the accuracy of the laser receiver can be impaired.

## Setting up the Laser Receiver

Position the laser receiver at least 20 inches away from the rotational laser.

Position the laser receiver in such a manner that the laser beam can reach the reception area **6**. Align the laser receiver in such a manner that the laser beam runs laterally through the reception area (as shown on the Figure A).

## Switching On and Off

- **A loud audio signal sounds when switching on the tool. Therefore, keep the tool away from your ear or other people when switching on.** The loud audio signal can cause hearing defects.

To switch the laser receiver On, press the On/Off button **3**. All display indicators light up briefly and an audio signal sounds.

Every time when the laser receiver is switched on, both volume and accuracy settings are restored from the last setting before the receiver was switched off.

To switch the laser receiver Off, press and hold On/Off button **3**. All display indicators light up briefly before the receiver switches off, and an audio signal sounds.

If no buttons on the laser receiver are pressed and no laser beam reaches the reception area **6**, for approx. 30 mins, the laser receiver switches off automatically to save energy.

## Selecting the Measurement Unit

The distance between the laser beam and the center mark is shown on the display in [mm] or [in:decimals/fractions].

The default setting in delivery condition is [in: fractions].

To change the setting simultaneously press the audio level button **4** and the button **2** for selecting the accuracy until the desired setting is reached.

The selected measurement unit is saved when the laser receiver is turned off.

## Selecting the Accuracy Setting

With button **2**, you can specify with which accuracy the position of the laser beam is indicated on the reception area:

- “Fine” adjustment (indication **27** on the display),
- “Medium” adjustment (indication **26** on the display).
- “Coarse” adjustment (indication **25** on the display).

Every time when the laser receiver is switched on the last accuracy setting is restored.

## Direction Indicators

The position of the laser beam on the reception area **6** is indicated:

- by the direction indicators “move downward” **22**, “move upward” **24** or center **23** on the display **7** on the front of the laser receiver and display **12** at the back of the laser receiver,
- optionally by the audio signal (see “Audio Signal for Indication of the Laser Beam”)

**Laser receiver too low:** If the laser beam runs through the upper half of the reception area **6**, the direction indicator **24** on the display will light up and offset display segments **20/21** will also light up depending on the selected unit of measurement. If the audio signal is switched on, laser receiver shows slow beeping sound. Move the laser receiver upwards in the arrow direction.

If the laser beam is more than 30mm (1.18 inches) above the center mark of the receiver, only the direction indicator **24** on the display will light up. If the audio signal is switched on, laser receiver shows slow beeping sound.

Move the laser receiver upwards in the arrow direction. If the laser reception is interrupted due to a physical obstruction, the direction indicator **24** will flash for 3 seconds to indicate the last position of the laser beam.

**Laser receiver too high:** If the laser beam runs through the lower half of the reception area **6**, the direction indicator **22** on the display will light up and offset display segments **20/21** will also light up depending on the selected unit of measurement. If the audio signal is switched on, laser receiver shows fast beeping sound. Move the laser receiver downwards in the arrow direction.

If the laser beam is more than 30mm (1.18 inches) below the center mark of the receiver, only the direction indicator **22** on the display will light up. If the audio signal is switched on, laser receiver shows fast beeping sound. Move the laser receiver downwards in the arrow direction. If the laser reception is interrupted due to a physical obstruction, the direction indicator **22** will flash for 3 seconds to indicate the last position of the laser beam.

**Laser receiver in center position:** When the laser beam runs through the reception area **6** at the center mark **13**, the center indicator **23** on the display will light up and offset display segments **20/21** will also light up depending on the selected unit of measurement. If the audio signal is switched on, laser receiver shows continuous sound. If the laser reception is interrupted due to a physical obstruction, the center indicator **23** will flash for 3 seconds to indicate the last position of the laser beam.

### **Strobe Detection**

If strobe light (e.g. LED lights) is present, avoid the strobe light from reaching the laser receiver.

In case of strobe light disturbance an error will be indicated by:

-flashing of the selected measurement unit

-No offset value will be displayed on the front **7** and rear display **12**.

### **Audio Signal for Indication of the Laser Beam**

The position of the laser beam on the reception area **6** can be indicated via an audio signal.

The volume level can be adjusted or switched off.

To change the volume level or switch the audio signal off, push the acoustic signal button **4** until the desired volume level is indicated on the display. At low volume level, the audio signal indicator **18** appears on the display with no bar ◀; at high volume level, the indicator appears with one curve bar ◀. When the audio signal is set to off, the indicator goes out. Independent of the audio signal setting, a short beep sounds at low volume level each time a button is pressed on the laser receiver.

### **Display Back-light**

The back-light of the display is switched on when the laser receiver is switched on. If no laser beam is detected and no buttons are pressed for 2 minutes, the back-light switches off automatically.

The back-light also switches off automatically if there is continuous laser detection and no buttons are pressed for 2 minutes. The back-light can be switched off manually by pressing the display back-light button **5**.

### **Working Advice**

#### **Marking**

When the laser beam runs through the center of the reception area **6**, its height can be marked at the center mark **13** right and left of the laser receiver.

When marking, make sure to align the laser receiver both vertically and horizontally. If this is not done the laser marks will be offset from the laser beam.

#### **Attaching with the Magnet (see figure B)**

When a mounting bracket is not absolutely required, the magnets **8** on top of the laser receiver can be used to attach the receiver to steel parts.



## LR20 Maintenance and Service

**Keep the laser receiver clean at all times.**

**Do not immerse the laser receiver into water or other fluids.**

**Wipe off debris using a moist and soft cloth. Do not use any cleaning agents or solvents.**

**If the laser receiver should fail despite the care taken in manufacturing and testing procedures, repair should be carried out by an authorized after-sales service center for Bosch power tools.**

**In all correspondence and spare parts orders, please always include the 10-digit article number given on the type plate of the tool.**

### ENVIRONMENT PROTECTION



Recycle raw materials & batteries instead of disposing of waste.

The unit, accessories, packaging & used batteries should be sorted for environmentally

friendly recycling in accordance with the latest regulations.

## LIMITED WARRANTY OF BOSCH LASER AND MEASURING TOOL PRODUCTS

Robert Bosch Tool Corporation ("Seller") warrants to the original purchaser only, that all Bosch lasers and measuring tools will be free from defects in material or workmanship for a period of one (1) year from date of purchase. Bosch will extend warranty coverage to two (2) years when you register your product within eight (8) weeks after date of purchase. Product registration card must be complete and mailed to Bosch (postmarked within eight weeks after date of purchase), or you may register on-line at [www.boschtools.com/Service/ProductRegistration](http://www.boschtools.com/Service/ProductRegistration). If you choose not to register your product, a one (1) year limited warranty will apply to your product.

### **30 Day Money Back Refund or Replacement -**

If you are not completely satisfied with the performance of your laser and measuring tools, for any reason, you can return it to your Bosch dealer within 30 days of the date of purchase for a full refund or replacement. To obtain this 30-Day Refund or Replacement, your return must be accompanied by the original receipt for purchase of the laser or optical instrument product. A maximum of 2 returns per customer will be permitted.

SELLER'S SOLE OBLIGATION AND YOUR EXCLUSIVE REMEDY under this Limited Warranty and, to the extent permitted by law, any warranty or condition implied by law, shall be the repair or replacement of parts, without charge, which are defective in material or workmanship and which have not been misused, carelessly handled, or misrepaired by persons other than Seller or Authorized Service Center. To make a claim under this Limited Warranty, you must return the complete Bosch laser or measuring tool, transportation prepaid, to any BOSCH Factory Service Center or Authorized Service Center. Please include a dated proof of purchase with your tool. For locations of nearby service centers, please use our on-line service locator or call 1-877-267-2499.

THIS WARRANTY PROGRAM DOES NOT APPLY TO TRIPODS AND RODS. Robert Bosch Tool Corporation ("Seller") warrants tripods and leveling rods for a period of one (1) year from date of purchase.

THIS LIMITED WARRANTY DOES NOT APPLY TO OTHER ACCESSORY ITEMS AND RELATED ITEMS. THESE ITEMS RECEIVE A 90 DAY LIMITED WARRANTY.

To make a claim under this Limited Warranty, you must return the complete product, transportation prepaid. For details to make a claim under this Limited Warranty please visit [www.boschtools.com](http://www.boschtools.com) or call 1-877-267-2499.

ANY IMPLIED WARRANTIES SHALL BE LIMITED IN DURATION TO ONE YEAR FROM DATE OF PURCHASE. SOME STATES IN THE U.S., AND SOME CANADIAN PROVINCES DO NOT ALLOW LIMITATIONS ON HOW LONG AN IMPLIED WARRANTY LASTS, SO THE ABOVE LIMITATION MAY NOT APPLY TO YOU.

IN NO EVENT SHALL SELLER BE LIABLE FOR ANY INCIDENTAL OR CONSEQUENTIAL DAMAGES (INCLUDING BUT NOT LIMITED TO LIABILITY FOR LOSS OF PROFITS) ARISING FROM THE SALE OR USE OF THIS PRODUCT. SOME STATES IN THE U.S., AND SOME CANADIAN PROVINCES DO NOT ALLOW THE EXCLUSION OR LIMITATION OF INCIDENTAL OR CONSEQUENTIAL DAMAGES, SO THE ABOVE LIMITATION MAY NOT APPLY TO YOU.

THIS LIMITED WARRANTY GIVES YOU SPECIFIC LEGAL RIGHTS, AND YOU MAY ALSO HAVE OTHER RIGHTS WHICH VARY FROM STATE TO STATE IN THE U.S., OR PROVINCE TO PROVINCE IN CANADA AND FROM COUNTRY TO COUNTRY.

THIS LIMITED WARRANTY APPLIES ONLY TO PRODUCTS SOLD WITHIN THE UNITED STATES OF AMERICA, CANADA AND THE COMMONWEALTH OF PUERTO RICO. FOR WARRANTY COVERAGE WITHIN OTHER COUNTRIES, CONTACT YOUR LOCAL BOSCH DEALER OR IMPORTER.

## LR20 Consignes générales de sécurité



### **⚠ AVERTISSEMENT**

Lisez toutes les instructions. Le non-respect de toutes les instructions figurant ci-dessous risquerait de causer une exposition dangereuse aux rayonnements, un choc électrique, un incendie et/ou des blessures graves.



Ne pas mettre récepteur laser dans la proximité de stimulateurs cardiaques. Les disques magnétiques 7 génèrent un champ qui peut entraver le fonctionnement de stimulateurs cardiaques.

- Éloignez le récepteur laser des supports de données magnétiques et des équipements sensibles aux champs magnétiques. L'effet de la plaque magnétique 8 peut entraîner une perte de données irréversible.
- Faites réparer le récepteur laser uniquement par des spécialistes qualifiés utilisant des pièces de rechange d'origine. Cela garantit que la sécurité du récepteur laser est maintenue.

- N'utilisez pas le récepteur laser dans des environnements explosifs, par exemple en présence de liquides, de gaz ou de poussières inflammables. Des étincelles peuvent être créées dans le récepteur laser, ce qui peut enflammer la poussière ou les émanations.
- Lisez et observez scrupuleusement les consignes de sécurité du mode d'emploi du laser rotatif.

### Informations concernant les bruits

La mesure réelle (A) du niveau de pression acoustique du signal sonore à un mètre de distance est de 85 dB(A).

**⚠ AVERTISSEMENT** Ne tenez pas l'outil près de votre oreille.

## LR20 Emploi prévu

Le récepteur laser est destiné à détecter rapidement les rayons laser rotatifs dans la longueur d'onde indiquée dans les "Données techniques".

Le récepteur laser est adapté à une utilisation intérieure et extérieure.

## LR20 Préparation

### Mise en place/changement des piles

Pour le fonctionnement de récepteur laser, nous recommandons d'utiliser des piles alcalines.

Tirez vers l'extérieur le blocage 10 du compartiment à piles et relevez le couvercle du compartiment à piles.

Faites attention à insérer les piles en respectant la polarité.

Si l'affichage des piles 19 apparaît pour la première fois sur l'écran 7, il est possible de continuer à utiliser récepteur laser pendant 2 h environ.

**⚠ AVERTISSEMENT** Sortir les piles de récepteur laser au cas o l'appareil ne serait pas utilisé pour une période assez longue. En cas de stockage long, les piles peuvent corroder et se décharger.

## LR20 Features

La numérotation des éléments de l'appareil se réfère à la représentation de récepteur laser sur la page 2.

- 1 Haut-parleur
- 2 Bouton de sélection du degré de précision
- 3 Bouton de marche/arrêt
- 4 Bouton de niveau sonore
- 5 Bouton de rétro-éclairage de l'écran d'affichage
- 6 Zone de réception pour le faisceau laser
- 7 Affichage avant
- 8 Aimants
- 9 Rainure de guidage pour le porte-outil
- 10 Verrou du couvercle du compartiment des piles
- 11 Numéro de série
- 12 Affichage arrière
- 13 Marque centrale
- 14 Support de montage
- 15 Bouton-poussoir pour ouvrir le verrou
- 16 Porte-tige
- 17 Bouton rotatif du support de montage

### Éléments de l'affichage

- 18 Indicateur de niveau sonore
- 19 Indicateur du niveau de charge des piles
- 20 Segments d'affichage de la correction (mm/po/frc po)
- 21 Segments d'affichage de la correction (frac po)
- 22 Indicateur de direction / « déplacement vers le bas »
- 23 Indicateur de position centrale
- 24 Indicateur de direction / « déplacement vers le haut »
- 25 Indicateur de résolution « Grossière »
- 26 Indicateur de résolution « Intermédiaire »
- 27 Indicateur de résolution « Fine »
- 28 Indicateur de mode po / mm
- 29 Signe « + » ou « - » pour la position du faisceau laser

# LR20 Données techniques

Numéro de modèle	LR20
N° d'article	3601K69L10
Longueur d'onde recevable	635-650 nm
Convient au niveau laser rotatif	GRL2000-40H, GRL2000-40HV
Zone de travail typique <sup>1)</sup>	1000 ft (300 m)
Angle de réception	±35°
Réception de la vitesse de rotation	150,300,600 min <sup>-1</sup>
Précision <sup>2) 3) 4)</sup>	
-Réglage « fin »	±1/32 in (±0.05 in) ±1 mm ±1/16 in (±0.1 in) ±2 mm
-Réglage « moyenne »	±1/8 in (±0.15 in) ±3 mm ±1/4 in (±0.25 in) ±5 mm
-Réglage « grossier »	±1/2 in (±0.5 in) ±7 mm ±1 in (±1 in) ±10 mm
Température de service	14°F ~ 122°F (-10°C ~ +50°C)
Température de stockage	-4°F ~ 158°F (-20°C ~ +70°C)
Piles	2 x 1.5V LR6 (AA)
Durée de service env	40h <sup>5)</sup>
Poids	0.661 lb (0.300 kg) sans piles 0.765 lb (0.347 kg) avec piles
Dimensions	6.22 x 3.15 x 1.33 in (158 x 80 x 33.9 mm)
Degré de protection	IP 66

1) La plage de travail (rayon) peut être réduite en raison de conditions ambiantes défavorables (par ex. la lumière directe du soleil).

2) Dépend du jeu entre le récepteur laser et le niveau laser rotatif.

3) Dépend de la classe de laser et du type de laser du niveau laser rotatif.

4) La précision peut être affectée par des conditions environnementales défavorables (par exemple l'irradiation solaire directe).

5) Avec l'éclairage de l'affichage désactivé.

Pour permettre une identification précise de votre récepteur laser, le numéro de série **11** est marqué sur la plaque signalétique.

## LR20 Fonctionnement

### Fonctionnement initial

- **Protégez récepteur laser contre l'humidité.**
- **Ne soumettez pas récepteur laser à des températures extrêmes ou à des variations considérables de la température.** Par exemple, ne le laissez pas dans un véhicule pendant une période prolongée. En cas de variations importantes de la température, attendez que l'outil s'ajuste à la température ambiante avant de le remettre en service. En cas de température extrême ou de variation considérable de la température, l'exactitude de l'outil peut être affectée.

### Montage de l'outil

Positionnez récepteur laser à au moins 20 pi (5 m) du laser rotatif.

Positionnez récepteur laser de telle manière que le faisceau laser puisse atteindre la zone de réception **6**. Alignez l'outil de façon à ce que le faisceau laser circule horizontalement à travers la zone de réception (comme cela est illustré sur la figure A).

### Commutation marche/arrêt

- **Un signal audio très fort retentit lorsque vous mettez l'outil en marche. Par conséquent, tenez cet outil à distance de vos**

**oreilles ou des autres personnes présentes lorsque vous le mettez en marche.** Le signal audio très fort pourrait causer une perte auditive.

Pour **activer** récepteur laser, appuyez sur le bouton de marche/arrêt **3**. Un signal audio retentira et tous les indicateurs d'affichage s'illumineront brièvement.

Chaque fois que le récepteur laser est allumé, les réglages de volume et de précision sont mémorisés à partir du dernier réglage avant la mise hors service du récepteur.

Pour **désactiver** récepteur laser, maintenez enfoncé le bouton marche/arrêt **3**. Tous les voyants de l'écran d'affichage ainsi que toutes les DEL s'illumineront brièvement et un signal audio retentira avant que récepteur laser ne soit désactivé.

Quand aucun bouton n'est enfoncé pendant environ 30 minutes et quand aucun faisceau laser n'atteint la zone de réception **6** pendant 30 minutes, l'outil s'éteint automatiquement pour ne pas épuiser les piles. La mise hors tension est indiquée par toutes les LED et tous les indicateurs d'affichage s'allument brièvement, et un signal audio retentit.

## Sélection de l'unité de mesure

La distance entre le faisceau laser et la marque centrale est indiquée sur l'affichage en [mm] ou [en: décimales / fractions].

Le paramètre par défaut en condition de livraison est [en: fractions].

Pour modifier le réglage simultanément, appuyez sur le bouton de niveau audio **4** et sur le bouton **2** pour sélectionner la précision jusqu'à ce que le réglage souhaité soit atteint. L'unité de mesure sélectionnée est enregistrée lorsque le récepteur laser est éteint.

## Sélection du réglage de l'indicateur du point central

Le bouton **2** vous permet de spécifier le degré de précision du positionnement du faisceau laser sur la zone de réception :

- Réglage « fin » (indication **27** sur l'écran d'affichage),
- Réglage « moyenne » (indication **26** sur l'écran d'affichage),
- Réglage « grossier » (indication **25** sur l'écran d'affichage).

Chaque fois que le récepteur laser est allumé, le réglage de précision est enregistré avant que le récepteur ne soit éteint.

## Voyants directionnels

La position du faisceau laser dans la zone de réception **6** est indiquée :

- par les voyants directionnels « mouvement vers le bas » **22**, « mouvement vers le haut » **24** ou indication du point central **23** sur l'écran d'affichage **7** à l'avant de l'outil de mesure ou sur l'écran d'affichage **12** à l'arrière de récepteur laser,
- facultativement par le signal audio (voir « Signal audio » pour l'indication du faisceau laser »).

**Récepteur laser trop bas :** Si le faisceau laser est projeté à travers la moitié supérieure de la zone de réception **6**, l'indicateur de direction **24** sur l'écran d'affichage clignotera et les segments d'affichage de la correction **20/21** s'allumeront aussi en fonction de l'unité de mesure sélectionnée. Si le signal sonore est activé, le récepteur laser émet des bips lents. Déplacez le récepteur laser vers le haut dans le sens de la flèche.

Si le faisceau laser est à plus de 30 mm / 1,18 po au-dessus de la marque centrale du récepteur, seul l'indicateur de direction **24** sur l'écran d'affichage s'allumera. Si le signal sonore est activé, le récepteur laser émet des bips lents.

Déplacez le récepteur laser vers le haut dans le sens de la flèche. Si la réception du rayon laser est interrompue par un obstacle physique, l'indicateur de direction **24** clignotera pendant 3 secondes pour indiquer la dernière position du faisceau laser.

**Récepteur laser trop haut :** Si le faisceau laser est projeté à travers la moitié inférieure de la zone de réception **6**, l'indicateur de direction **22** sur l'écran d'affichage clignotera et les segments d'affichage de la correction **20/21** s'allumeront aussi en fonction de l'unité de mesure sélectionnée. Si le signal sonore est activé, le récepteur laser émet des bips rapides. Déplacez le récepteur laser vers le bas dans le sens de la flèche.

Si le faisceau laser est à plus de 30 mm / 1,18 po au-dessous de la marque centrale du récepteur, seul l'indicateur de direction **22** sur l'écran d'affichage s'allumera. Si le signal sonore est activé, le récepteur laser émet des bips rapides. Déplacez le récepteur laser vers le bas dans le sens de la flèche. Si la réception du rayon laser est interrompue par un obstacle physique, l'indicateur de direction **22** clignotera pendant 3 secondes pour indiquer la dernière position du faisceau laser.

## Récepteur laser dans la position centrale

: Si le faisceau laser est projeté à travers la zone de réception **6** de la marque centrale **13**, l'indicateur de position centrale **23** sur l'écran d'affichage s'allumera et les segments d'affichage de la correction **20/21** s'allumeront aussi en fonction de l'unité de mesure sélectionnée. Si le signal sonore est activé, le récepteur laser émet un son continu. Si la réception du rayon laser est interrompue par un obstacle physique, l'indicateur de position centrale **23** clignotera pendant 3 secondes pour indiquer la dernière position du faisceau laser.

## Détection d'éclairage stroboscopique

Si un éclairage stroboscopique (p. ex., lumières DEL) est présent, faites en sorte que l'éclairage stroboscopique n'atteigne pas le récepteur laser.

En cas de perturbation causée par un éclairage stroboscopique, une erreur sera indiquée par :

- le clignotement de l'unité de mesure sélectionnée
- Aucune valeur de correction ne sera affichée sur les écrans d'affichage avant **7** et arrière **12**.

## Signal audio pour l'indication de positionnement du faisceau laser

La position du faisceau laser dans la zone de réception **6** peut être indiquée par un signal audio.

Après l'activation de l'outil, le signal audio est toujours réglé sur le niveau de volume sonore intermédiaire.

Le niveau du volume sonore peut être augmenté ou le signal audio peut être désactivé.

Pour changer le niveau du volume sonore ou pour désactiver le signal audio, appuyez sur le bouton de signal audio **4** jusqu'à ce que le niveau du volume sonore souhaité soit indiqué sur l'écran d'affichage. À un niveau de volume sonore bas, le voyant d'indication de signal audio **18** est affiché sur l'écran avec une barre ; au niveau de volume sonore élevé, ce voyant est affiché avec trois barres. Lorsque le signal audio est désactivé, le voyant s'éteint.

Chaque fois que le récepteur laser est allumé, le réglage de volume est mémorisé à partir du dernier réglage avant la mise hors service du récepteur.

## Rétro-éclairage

L'intensité lumineuse du rétro-éclairage est la plus forte au moment de l'activation. Si aucun faisceau laser n'est détecté et si aucune touche n'est enfoncée pendant 2 minutes, le rétro-éclairage s'éteint automatiquement.

Le rétro-éclairage s'éteint également automatiquement en cas de détection laser continue et si aucun bouton n'est enfoncé pendant 2 minutes. Le rétro-éclairage peut être désactivé manuellement en appuyant sur le bouton de rétro-éclairage de l'écran **5**.

## Conseils pour le travail

### Marquage

Lorsque le faisceau laser est projeté à travers le centre de la zone de réception **6**, sa hauteur peut être marquée au niveau de la marque centrale **13** à droite et à gauche de récepteur laser.

Lors du marquage, alignez bien récepteur laser pour chaque faisceau laser, à la fois verticalement et horizontalement. Si vous ne l'alignez pas, les marques seront excentrées par rapport au faisceau laser.

### Fixation au moyen de l'aimant (voir Figure B)

Quand une fixation par verrouillage positif n'est pas absolument requise, vous pouvez utiliser les aimants **8** du côté supérieur de récepteur laser pour attacher l'outil sur des éléments en acier.

# LR20 Maintenance et service

**Maintenir récepteur laser propre.**

**Ne jamais plonger récepteur laser dans l'eau ou dans d'autres liquides.**

**Nettoyer l'appareil à l'aide d'un chiffon doux et humide. Ne pas utiliser de détergents ou de solvants.**

**Si, malgré tous les soins apportés à la fabrication et au contrôle de récepteur laser, celui-ci devait avoir un défaut, la réparation ne doit être confiée qu'à une station de service après-vente agréée pour outillage Bosch.**

**Pour toute demande de renseignement ou commande de pièces de rechange, nous préciser impérativement le numéro d'article à dix chiffres de récepteur laser indiqué sur la plaque signalétique.**

## PROTECTION DE L'ENVIRONNEMENT



Recyclez les matières premières et les piles au lieu de les mettre au rebut. L'instrument, ses accessoires, son conditionnement et les piles usées doivent être triés en vue d'un recyclage écologique conforme aux lois les plus récentes.

## GARANTIE LIMITÉE DES PRODUITS LASER ET AUTRES INSTRUMENTS DE MESURE BOSCH

Robert Bosch Tool Corporation (« Vendeur ») garantit, exclusivement à l'acheteur initial, que tous les outils laser et de mesure de Bosch ne comporteront aucun défaut de matériau ou de fabrication pendant une période d'un (1) an à compter de la date de l'achat. Bosch fournira une couverture de garantie portée à deux (2) ans si vous enregistrez votre produit dans les huit (8) semaines suivant la date de l'achat. La carte d'enregistrement du produit doit être complète et envoyée à Bosch (avec un cachet de la poste indiquant une date de moins de huit semaines après la date de l'achat), ou vous pouvez vous inscrire en ligne à [www.boschtools.com/Service/ProductRegistration](http://www.boschtools.com/Service/ProductRegistration). Si vous décidez de ne pas faire enregistrer votre produit, une garantie limitée d'un (1) an s'appliquera à votre produit.

### Remboursement ou remplacement du produit jusqu'à 30 jours -

Si vous n'êtes pas complètement satisfait(e) par la performance de vos outils laser et de mesure pour quelque raison que ce soit, vous pouvez les rapporter à votre détaillant Bosch dans les 30 jours suivant la date de l'achat pour obtenir un remboursement intégral ou un remplacement. Pour obtenir ce remboursement du prix ou ce remplacement du produit jusqu'à 30 jours après l'achat, votre retour doit être accompagné par l'original du reçu correspondant à l'achat du produit laser ou de l'instrument optique. Un maximum de deux retours par client sera autorisé.

LA SEULE OBLIGATION DU VENDEUR ET VOTRE SEUL REMÈDE en vertu de cette Garantie limitée et, dans la mesure où la loi le permet, de toute autre garantie ou condition légalement implicite, seront la réparation ou le remplacement à titre gratuit des pièces qui seront jugées défectueuses pour cause de vice de matériau ou de fabrication et qui n'auront pas été utilisées de façon abusive, manipulées sans précautions ou réparées incorrectement par des personnes autres que le Vendeur ou un Centre de service après-vente agréé. Pour vous prévaloir de la présente Garantie limitée, vous devez retourner la totalité de l'outil laser ou de l'outil de mesure Bosch, en port payé, à un Centre de service après-vente usine ou à un centre de service après-vente agréé de BOSCH. Veuillez inclure un justificatif d'achat dûment daté avec votre outil. Pour trouver les adresses des centres de service après-vente, veuillez utiliser notre guide en ligne service locator. ou téléphoner au 1-877-267-2499.

CE PROGRAMME DE GARANTIE NE S'APPLIQUE PAS AUX TRÉPIEDS OU AUX MIRES DE NIVELLEMENT. Robert Bosch Tool Corporation (« Vendeur ») garantit les trépieds et les mires de nivellement pendant une période d'un (1) an à compter de la date de l'achat.

CETTE GARANTIE LIMITÉE NE S'APPLIQUE PAS À D'AUTRES ACCESSOIRES ET ARTICLES COMPLÉMENTAIRES. CES DERNIERS BÉNÉFICIENT D'UNE GARANTIE LIMITÉE DE 90 JOURS.

Pour vous prévaloir de la présente Garantie limitée, vous devez retourner la totalité du produit en port payé. Pour plus de détails sur le recours à la présente Garantie limitée, veuillez visiter [www.boschtools.com](http://www.boschtools.com) ou téléphoner au 1-877-267-2499.

LA DURÉE DE TOUTE GARANTIE IMPLICITE SERA LIMITÉE À UN AN À COMPTER DE LA DATE DE L'ACHAT. COMME CERTAINS ÉTATS AUX ÉTATS-UNIS ET CERTAINES PROVINCES AU CANADA NE PERMETTENT PAS DE LIMITATIONS SUR LA DURÉE D'UNE GARANTIE IMPLICITE, LA LIMITATION CI-DESSUS NE S'APPLIQUE PEUT-ÊTRE PAS À VOUS.

LE VENDEUR NE SERA EN AUCUN CAS RESPONSABLE POUR TOUS DOMMAGES INDIRECTS OU SECONDAIRES (Y COMPRIS, MAIS SANS LIMITATION, LA RESPONSABILITÉ AU TITRE DE LA PERTE DE BÉNÉFICES) RÉSULTANT DE LA VENTE OU DE L'EMPLOI DE CE PRODUIT. COMME CERTAINS ÉTATS AUX ÉTATS-UNIS ET CERTAINES PROVINCES AU CANADA NE PERMETTENT PAS L'EXCLUSION OU LA LIMITATION DE LA RESPONSABILITÉ POUR DOMMAGES INDIRECTS OU SECONDAIRES, LA LIMITATION CI-DESSUS NE S'APPLIQUE PEUT-ÊTRE PAS À VOUS.

CETTE GARANTIE LIMITÉE VOUS CONFÈRE DES GARANTIES JURIDIQUES PARTICULIÈRES, ET VOUS POUVEZ AUSSI AVOIR D'AUTRES DROITS, QUI VARIENT D'UN ÉTAT À L'AUTRE AUX ÉTATS-UNIS, D'UNE PROVINCE À L'AUTRE AU CANADA OU D'UN PAYS À L'AUTRE.

CETTE GARANTIE LIMITÉE NE S'APPLIQUE QU'AUX PRODUITS VENDUS AUX ÉTATS-UNIS D'AMÉRIQUE, AU CANADA ET À PORTO RICO. CONTACTEZ VOTRE DISTRIBUTEUR OU IMPORTATEUR BOSCH POUR OBTENIR DES INFORMATIONS SUR LA COUVERTURE DE LA GARANTIE DANS LES AUTRES PAYS.



## LR20 Nomas generales de seguridad



### **⚠ ADVERTENCIA**

Lea todas las instrucciones. Si no se siguen todas las instrucciones que aparecen a continuación, el resultado podría ser exposición a radiación peligrosa, descargas eléctricas, incendio y/o lesiones graves.



No coloque el receptor láser cerca de personas que utilicen un marcapasos. El campo que produce la base magnética 7 puede perturbar el funcionamiento de los marcapasos.

- Mantenga el receptor láser alejado de soportes de datos magnéticos y de aparatos sensibles a los campos magnéticos. La base magnética 8 puede provocar una pérdida de datos irreversible.
- Únicamente haga reparar su receptor láser por un profesional, empleando exclusivamente piezas de repuesto originales. Solamente así se mantiene la seguridad del receptor láser.

• No utilice el receptor láser en un entorno con peligro de explosión, en el que se encuentren combustibles líquidos, gases o material en polvo. El aparato de medición puede producir chispas e inflamar los materiales en polvo o vapores.

• Lea y atégase estrictamente a las instrucciones de seguridad que figuran en las instrucciones de manejo del láser rotativo.

### Información sobre el ruido

El nivel de presión sonora de la señal acústica evaluado con un filtro A a una distancia de un metro es de 85 dB(A).

### **⚠ ADVERTENCIA**

No sostenga la herramienta cerca de su oreja.

## LR20 Uso previsto

El receptor láser está destinado a la detección rápida de rayos láser giratorios en la longitud de onda indicada en los "Datos técnicos".

El receptor láser es adecuado para uso en interiores y exteriores.

## LR20 Preparación

### Mise en place/changement des piles

Se recomienda utilizar pilas alcalinas en el receptor láser.

Tire del clip de enclavamiento 10 del alojamiento de la pila y abra la tapa.

Respete la polaridad al insertar las pilas.

Desde el momento en que aparece por primera vez el símbolo de estado de carga 19 en

el display 7, el receptor láser puede seguirse utilizando 2 h, aprox.

### **⚠ ADVERTENCIA**

Saque las pilas del receptor láser si pretende no utilizarlo durante largo tiempo. Tras un tiempo de almacenaje prolongado, las pilas se puede llegar a corroer y autodescargar.

# LR20 Características

La numeración de los componentes está referida a la imagen del receptor láser en la página 2.

- 1 Parlante
- 2 Botón de selección de la precisión
- 3 Botón de encendido y apagado
- 4 Botón del nivel de audio
- 5 Botón de la luz de fondo de la pantalla
- 6 Área de recepción del rayo láser
- 7 Pantalla delantera
- 8 Imanes
- 9 Ranura de guía para el soporte
- 10 Pestillo de la tapa de las baterías
- 11 Número de serie
- 12 Pantalla trasera
- 13 Marca central
- 14 Soporte de montaje
- 15 Botón-pulsador para liberar el cierre
- 16 Soporte para varilla
- 17 Pomo rotativo del soporte de montaje

## Display Elements

- 18 Indicador del nivel de audio
- 19 Indicador del nivel de las baterías
- 20 Segmentos de la pantalla de desviación (mm/pulgadas/pulgadas frac.)
- 21 Segmentos de la pantalla de desviación (pulgadas frac.)
- 22 Indicador de dirección "mover hacia abajo"
- 23 Indicador de centro
- 24 Indicador de dirección "mover hacia arriba"
- 25 Indicador de resolución "Gruesa"
- 26 Indicador de resolución "Intermedia"
- 27 Indicador de resolución "Fina"
- 28 Indicador de modo de pulgadas /mm
- 29 Signo "+" o "-" para la posición del rayo láser

## LR20 Datos Técnicos

Número de modelo	LR20	
Article number	3601K69L10	
Longitud de onda admisible	635-650 nm	
Adecuado para nivel de láser rotacional	GRL2000-40H, GRL2000-40HV	
Alcance (típico) <sup>1)</sup>	1000 ft (300 m)	
Ángulo de recepción	±35°	
Recepción de velocidad de rotación	150,300,600 min <sup>-1</sup>	
Precisión <sup>2) 3) 4)</sup>		
-Ajuste "fino"	±1/32 in (±0.05 in)	±1 mm
	±1/16 in (±0.1 in)	±2 mm
-Ajuste "intermedia"	±1/8 in (±0.15 in)	±3 mm
	±1/4 in (±0.25 in)	±5 mm
-Ajuste "gruesa"	±1/2 in (±0.5 in)	±7 mm
	±1 in (±1 in)	±10 mm
Temperatura de operación	14 °F ~ 122 °F (-10 °C ~ +50 °C)	
Temperatura de almacenamiento	-4 °F ~ 158 °F (-20 °C ~ +70 °C)	
Pilas	2 x 1.5V LR6 (AA)	
Autonomía aprox.	40h <sup>5)</sup>	
Peso	0.661 lb (0.300 kg) sin pilas 0.765 lb (0.347 kg) con pilas	
Dimensiones	6.22 x 3.15 x 1.33 in (158 x 80 x 33.9 mm)	
Grado de protección	IP 66	

1) El rango de trabajo (radio) se puede reducir debido a condiciones ambientales desfavorables (por ejemplo, luz solar directa).

2) depende de la separación entre el receptor láser y el nivel del láser de rotación

3) depende de la clase de láser y el tipo de láser del nivel de láser rotacional

4) La precisión puede verse afectada por condiciones ambientales desfavorables (por ejemplo, radiación solar directa).

5) Con la iluminación de la pantalla desactivada.

El receptor láser se puede identificar claramente con el número de serie **11** en la placa de características.

# LR20 Operación

## Initial Operation

- **Proteja el receptor láser de la humedad.**
- **No exponga el receptor láser ni a temperaturas extremas ni a cambios bruscos de temperatura.** No lo deje, p.ej., en el coche durante un largo tiempo. Si el receptor láser ha quedado sometido a un cambio fuerte de temperatura, antes de ponerlo en servicio, esperar primero a que se atempere. Las temperaturas extremas o los cambios bruscos de temperatura pueden afectar a la precisión del receptor láser.

## **Configuración de la receptor láser**

Posicione la receptor láser por lo menos a 20 pies de distancia del láser de líneas en cruz.

Posicione la receptor láser de manera que el rayo láser pueda llegar al área de recepción **6**. Alinee la receptor láser de forma que el rayo pase horizontalmente a través del área de recepción (de la manera que se muestra en la figura A).

## **Encendido y apagado**

- **Al encender la herramienta sonará una señal de audio de alta intensidad. Por lo tanto, mantenga la herramienta alejada del oído o de otras personas cuando la esté encendiendo.** La señal de audio de alta intensidad puede causar defectos de audición.

Para encender la receptor láser, presione el botón de encendido y apagado **3**. Sonará una señal de audio y todas las luces LED se iluminarán brevemente.

Cada vez que se encienda el receptor láser, los ajustes tanto de volumen como de precisión estarán almacenados con el último valor que tenían antes de que se apagara el receptor.

Para apagar la receptor láser, mantenga presionado el botón de encendido/apagado **3**. Todos los indicadores de la pantalla, así como todas las luces LED, se iluminarán brevemente y sonará una señal de audio antes de que la receptor láser se apague.

Si no se presionan botones en el receptor láser y no llega ningún rayo láser al área de recepción **6**, durante aprox. 30 minutos, el receptor láser se apaga automáticamente para ahorrar energía. La desconexión se indica mediante todos los LED y todos los indicadores

de pantalla se iluminan brevemente y suena una señal de audio.

## **Selección de la unidad de medida**

La distancia entre el rayo láser y la marca central se muestra en la pantalla en [mm] o [en: decimales/fracciones].

La configuración predeterminada en las condiciones de entrega es [en: fracciones].

Para cambiar la configuración simultáneamente, presione el botón de nivel de audio **4** y el botón **2** para seleccionar la precisión hasta alcanzar la configuración deseada.

La unidad de medida seleccionada se guarda cuando el receptor láser está apagado.

## **Selección del ajuste del indicador central**

Con el botón **2**, usted puede especificar con qué precisión se indicará en el área de recepción la posición del rayo láser:

- Ajuste “Fino” (indicación **27** en la pantalla),
- Ajuste “Fino” (indicación **26** en la pantalla),
- Ajuste “Grueso” (indicación **25** en la pantalla).

Cada vez que se enciende el receptor láser, la configuración de precisión se guarda antes de que se desconecte el receptor.

## **Indicadores de dirección**

La posición del rayo láser en el área de recepción **5** es indicada:

- por medio de los indicadores de dirección de “movimiento hacia abajo” **22** o de “movimiento hacia arriba” **24**, o mediante el indicador central **23**, los cuales se encuentran en la pantalla **7** ubicada en la parte delantera de la herramienta de medición,
- por medio de las luces LED de “movimiento hacia abajo” **10** o de “movimiento hacia arriba” **12**, o mediante la luz LED de indicación central **9**, las cuales se encuentran en la parte trasera de la herramienta y muestra **12** en la parte posterior del receptor láser,

**Receptor láser demasiado bajo:** Si el rayo láser atraviesa la mitad superior del área de recepción **6**, el indicador de dirección **24** ubicada en la pantalla se iluminará y los segmentos

de la pantalla de desviación **20/21** también se iluminarán, dependiendo de la unidad de medida seleccionada. Si la señal de audio está activada, el receptor láser emitirá un sonido en forma de pitidos lentos. Mueva el receptor láser hacia arriba en la dirección de la flecha.

Si el rayo láser está más de 30 mm (1,18 pulgadas) por encima de la marca central del receptor, solo se iluminará el indicador de dirección **24** ubicado en la pantalla. Si la señal de audio está activada, el receptor láser emitirá un sonido en forma de pitidos lentos.

Mueva el receptor láser hacia arriba en la dirección de la flecha. Si la recepción del láser se interrumpe debido a una obstrucción física, el indicador de dirección **24** parpadeará durante 3 segundos para indicar la última posición del rayo láser.

**Receptor láser demasiado alto:** Si el rayo láser atraviesa la mitad inferior del área de recepción **6**, el indicador de dirección **22** ubicado en la pantalla se iluminará y los segmentos de la pantalla de desviación **20/21** también se iluminarán, dependiendo de la unidad de medida seleccionada. Si la señal de audio está activada, el receptor láser emitirá un sonido en forma de pitidos rápidos. Mueva el receptor láser hacia abajo en la dirección de la flecha.

Si el rayo láser está más de 30 mm (1,18 pulgadas) por debajo de la marca central del receptor, solo se iluminará el indicador de dirección **22** ubicado en la pantalla. Si la señal de audio está activada, el receptor láser emitirá un sonido en forma de pitidos rápidos. Mueva el receptor láser hacia abajo en la dirección de la flecha. Si la recepción del láser se interrumpe debido a una obstrucción física, el indicador de dirección **22** parpadeará durante 3 segundos para indicar la última posición del rayo láser.

**Receptor láser en la posición central:** Cuando el rayo láser atraviesa el área de recepción **6** en la marca central **13**, el indicador de centro **23** de la pantalla se iluminará y los segmentos de la pantalla de desviación **20/21** también se iluminarán, dependiendo de la unidad de medida seleccionada. Si la señal de audio está activada, el receptor láser emitirá un sonido continuo. Si la recepción del láser se interrumpe debido a una obstrucción física, el indicador de centro **23** parpadeará durante 3 segundos para indicar la última posición del rayo láser.

## DetECCIÓN DE LUZ ESTROBOSCÓPICA

Si hay una luz estroboscópica presente (p. ej., luces LED), evite que dicha luz llegue al receptor láser.

En caso de perturbación por una luz estroboscópica, se indicará un error de la siguiente manera:

- parpadeo de la unidad de medida seleccionada
- No se mostrará ningún valor de desviación en la pantalla delantera **7** ni en la pantalla trasera **12**.

## SEÑAL DE AUDIO PARA LA INDICACIÓN DEL RAYO LÁSER

La posición del rayo láser en el área de recepción **6** se puede indicar por medio de una señal de audio.

El nivel de volumen se puede aumentar o el volumen se puede apagar.

Para cambiar el nivel de volumen o apagar la señal de audio, presione el botón de señal de audio **4** hasta que el volumen solicitado se indique en la pantalla. En el caso de un nivel de volumen bajo, el indicador de señal de audio **18** aparecerá en la pantalla con una barra; en el caso de un nivel de volumen alto, dicho indicador aparecerá con tres barras. Cuando la señal de audio se ajuste a la posición de apagado, el indicador se apagará. Independientemente del ajuste de la señal de audio, cada vez que se presione un botón de la receptor láser sonará un breve pitido a bajo volumen.

Cada vez que se encienda el receptor láser, el ajuste de volumen estará almacenado con el último valor que tenía antes de que se apagara el receptor.

## LUZ DE FONDO

Al encender la receptor láser, la intensidad de la luz de fondo tendrá el máximo brillo. Si no se detecta ningún rayo láser y no se presiona ningún botón durante 2 minutos, la luz de fondo se apagará automáticamente.

La luz de fondo también se apaga automáticamente si hay detección continua de láser y no se presionan botones durante 2 minutos. La luz de fondo se puede apagar manualmente presionando el botón de luz de fondo de la pantalla **5**.

## Consejos de trabajo

### Marcación

Cuando el rayo láser pase a través del centro del área de recepción **6**, su altura se puede marcar en la marca central **13** tanto a la derecha como a la izquierda de la receptor láser.

Cuando haga marcas, asegúrese de alinear la receptor láser para cada rayo láser, tanto vertical como horizontalmente. Si no se hace esto, entonces las marcas estarán desviadas respecto al rayo láser.

## Sujeción con el imán (vea la figura B)

Cuando no se requiera absolutamente una sujeción mediante bloqueo positivo, los imanes **8** ubicados en el lado superior de la receptor láser se podrán utilizar para sujetar la herramienta a piezas de acero.

## LR20 Mantenimiento y servicio

**Mantenga limpio siempre el receptor láser.**

**No sumerja el receptor láser en agua ni en otros líquidos.**

**Limpiar el aparato con un paño húmedo y suave. No usar detergentes ni disolventes.**

**Si a pesar de los esmerados procesos de fabricación y control, el receptor láser llegase a averiarse, la reparación deberá encargarse a un taller de servicio autorizado para herramientas eléctricas Bosch.**

**Al realizar consultas o solicitar piezas de repuesto, es imprescindible indicar siempre el nº de artículo de 10 dígitos que figura en la placa de características del receptor láser.**

### PROTECCIÓN AMBIENTAL



Recicle las materias primas y las baterías en lugar de desecharlas como desperdicios. La unidad, los accesorios, el empaquetamiento y las baterías usadas se deben separar para reciclarlos de manera respetuosa con el medio ambiente, de acuerdo con los reglamentos más recientes.

## **GARANTÍA LIMITADA PARA PRODUCTOS DE HERRAMIENTAS LÁSER Y DE MEDICIÓN BOSCH**

Robert Bosch Tool Corporation (el “Vendedor”) garantiza, solamente al comprador original, que todas las herramientas láser y de medición Bosch estarán libres de defectos de material o de fabricación durante un período de un (1) año a partir de la fecha de compra. Bosch extenderá la cobertura de garantía a dos (2) años cuando usted registre su producto dentro del plazo de ocho (8) semanas a partir de la fecha de compra. La tarjeta de registro del producto debe ser completada y enviada por correo a Bosch (sellada por la oficina de correos dentro del plazo de ocho semanas después de la compra), o usted puede registrar su producto por Internet e [www.boschtools.com/Service/ProductRegistration](http://www.boschtools.com/Service/ProductRegistration). Si decide no registrar su producto, al mismo se le aplicará una garantía limitada de un (1) año.

### **Reembolso de devolución del dinero o reemplazo durante 30 días:**

Si no está completamente satisfecho con el rendimiento de sus herramientas láser y de medición, por cualquier motivo, puede devolver el producto a su distribuidor Bosch dentro del plazo de 30 días a partir de la fecha de compra para obtener un reembolso completo o un reemplazo. Para obtener este reembolso o reemplazo dentro del plazo de 30 días, su devolución debe estar acompañada por el recibo de compra original del producto tipo láser o instrumento óptico. Se permitirá un máximo de 2 devoluciones por cliente.

LA OBLIGACIÓN EXCLUSIVA DEL VENDEDOR Y EL RECURSO EXCLUSIVO QUE USTED TIENE bajo esta Garantía Limitada y, en hasta donde la ley lo permita, cualquier garantía o condición implícita por ley, consistirán en la reparación o el reemplazo de las piezas, sin cargo, que presenten defectos de material o de fabricación y que no hayan sido utilizadas incorrectamente, manejadas descuidadamente o reparadas incorrectamente por personas que no sean el Vendedor o un Centro de Servicio Autorizado. Para presentar un reclamo bajo esta Garantía Limitada, usted debe devolver la herramienta láser o de medición Bosch completa, con el transporte prepagado, a cualquier Centro de Servicio de Fábrica o Centro de Servicio Autorizado BOSCH. Sírvase incluir un comprobante de compra fechado con su herramienta. Para averiguar las ubicaciones de los centros de servicio cercanos, sírvase usar nuestro localizador de servicio por Internet o llamar al 1-877-267-2499.

ESTE PROGRAMA DE GARANTÍA NO SE APLICA A LOS TRÍPODES NI A LAS VARILLAS. Robert Bosch Tool Corporation (el “Vendedor”) garantiza los trípodes y las varillas niveladoras durante un período de un (1) año a partir de la fecha de compra.

ESTA GARANTÍA LIMITADA NO SE APLICA A OTROS ARTÍCULOS ACCESORIOS NI ARTÍCULOS RELACIONADOS. ESTOS ARTÍCULOS RECIBEN UNA GARANTÍA LIMITADA DE 90 DÍAS.

Para presentar un reclamo bajo esta Garantía Limitada, usted debe devolver el producto completo, con el transporte prepagado. Para obtener detalles con el fin de presentar un reclamo bajo esta Garantía Limitada, sírvase visitar [www.boschtools.com](http://www.boschtools.com) o llamar al 1-877-267-2499.

TODAS LAS GARANTÍAS IMPLÍCITAS ESTARÁN LIMITADAS EN DURACIÓN A UN AÑO A PARTIR DE LA FECHA DE COMPRA. ALGUNOS ESTADOS DE LOS EE.UU. Y ALGUNAS PROVINCIAS CANADIENSES NO PERMITEN LIMITACIONES EN CUANTO A LA DURACIÓN DE UNA GARANTÍA IMPLÍCITA, POR LO QUE ES POSIBLE QUE LA LIMITACIÓN QUE ANTECEDE NO TENGA APLICACIÓN EN EL CASO DE USTED.

EL VENDEDOR NO SERÁ RESPONSABLE EN NINGÚN CASO POR DAÑOS INCIDENTALES O EMERGENTES (INCLUYENDO PERO SIN ESTAR LIMITADOS A RESPONSABILIDAD POR PÉRDIDA DE UTILIDADES) QUE SURJAN DE LA VENTA DE ESTE PRODUCTO. ALGUNOS ESTADOS DE LOS EE.UU. Y ALGUNAS PROVINCIAS CANADIENSES NO PERMITEN LA EXCLUSIÓN NI LA LIMITACIÓN DE LOS DAÑOS INCIDENTALES O EMERGENTES, POR LO QUE ES POSIBLE QUE LA LIMITACIÓN QUE ANTECEDE NO TENGA APLICACIÓN EN EL CASO DE USTED.

ESTA GARANTÍA LIMITADA LE CONFIERE A USTED DERECHOS LEGALES ESPECÍFICOS Y ES POSIBLE QUE USTED TENGA TAMBIÉN OTROS DERECHOS QUE VARIAN DE UN ESTADO A OTRO EN LOS EE.UU. O DE UNA PROVINCIA A OTRA EN CANADÁ Y DE UN PAÍS A OTRO.

ESTA GARANTÍA LIMITADA SE APLICA SÓLO A LOS PRODUCTOS VENDIDOS EN LOS ESTADOS UNIDOS DE AMÉRICA, CANADÁ Y LA MANCOMUNIDAD DE PUERTO RICO. PARA OBTENER COBERTURA DE GARANTÍA EN OTROS PAÍSES, CONTACTE A SU DISTRIBUIDOR O IMPORTADOR BOSCH LOCAL.

© Robert Bosch Tool Corporation 1800 W. Central Road Mt. Prospect, IL 60056-2230  
Exportado por: Robert Bosch Tool Corporation Mt. Prospect, IL 60056-2230, E.U.A.  
Importado en México por: Robert Bosch, S.A. de C.V., Calle Robert Bosch No. 405, Zona Industrial,  
Toluca, Edo. de México, C.P. 50070, Tel. (722) 2792300

