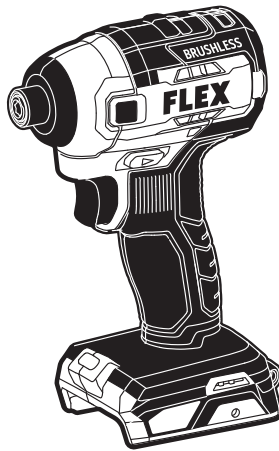


FLEX

**OPERATOR'S MANUAL
MANUAL DEL OPERADOR
MANUEL DE L'UTILISATEUR**



Model:
Modelo:
Modèle:

FX1351

**24V BRUSHLESS IMPACT DRIVER
VISSEUSE À PERCUSSION SANS BALAI DE 24 V
ATORNILLADOR DE IMPACTO SIN ESCOBILLAS DE 24 V**

*Contact Us /
Nous contacter /
Contáctenos*



**833-FLEX-496
(833-3539-496)**



www.Registermyflex.com



**For English
Version**

See page 2

**Version
française**

Voir page 18

**Versión en
español**

Ver la página 36

SAFETY SYMBOLS

The purpose of safety symbols is to attract your attention to possible dangers. The safety symbols and the explanations with them deserve your careful attention and understanding. The symbol warnings do not, by themselves, eliminate any danger. The instructions and warnings they give are no substitutes for proper accident prevention measures.

⚠ WARNING Be sure to read and understand all safety instructions in this Owner's Manual, including all safety alert symbols such as “**DANGER**,” “**WARNING**,” and “**CAUTION**” before using this tool. Failure to following all instructions listed below may result in electric shock, fire, and/or serious personal injury.

The definitions below describe the level of severity for each signal word. Please read the manual and pay attention to these symbols.



This is the safety alert symbol. It is used to alert you to potential personal injury hazards. Obey all safety messages that follow this symbol to avoid possible injury or death.



DANGER indicates a hazardous situation which, if not avoided, will result in death or serious injury.



WARNING indicates a hazardous situation which, if not avoided, could result in death or serious injury.



CAUTION, used with the safety alert symbol, indicates a hazardous situation which, if not avoided, will result in minor or moderate injury.

Damage Prevention and Information Messages

These inform the user of important information and/or instructions that could lead to equipment or other property damage if they are not followed. Each message is preceded by the word “NOTICE”, as in the example below:

NOTICE: Equipment and/or property damage may result if these instructions are not followed.



The operation of any power tools can result in foreign objects being thrown into your eyes, which can result in severe eye damage. Before beginning power tool operation, always wear safety goggles or safety glasses with side shields and a full face shield when needed. We recommend a Wide Vision Safety Mask for use over eyeglasses or standard safety glasses with side shields. Always use eye protection which is marked to comply with ANSI Z87.1.

GENERAL POWER TOOL SAFETY WARNINGS



WARNING Read all safety warnings, instructions, illustrations and specifications provided with this power tool. Failure to follow all instructions listed below may result in electric shock, fire and/or serious injury.

SAVE ALL WARNINGS AND INSTRUCTIONS FOR FUTURE REFERENCE.

The term “power tool” in the warnings refers to your mains-operated (corded) power tool or battery-operated (cordless) power tool.

Work area safety

Keep work area clean and well lit. Cluttered or dark areas invite accidents.

Do not operate power tools in explosive atmospheres, such as in the presence of flammable liquids, gases or dust. Power tools create sparks which may ignite the dust or fumes.

Keep children and bystanders away while operating a power tool. Distractions can cause you to lose control.

Electrical safety

Power tool plugs must match the outlet. Never modify the plug in any way. Do not use any adapter plugs with earthed (grounded) power tools. Unmodified plugs and matching outlets will reduce risk of electric shock.

Avoid body contact with earthed or grounded surfaces, such as pipes, radiators, ranges and refrigerators. There is an increased risk of electric shock if your body is earthed or grounded.

Do not expose power tools to rain or wet conditions. Water entering a power tool will increase the risk of electric shock.

Do not abuse the cord. Never use the cord for carrying, pulling or unplugging the power tool. Keep cord away from heat, oil, sharp edges or moving parts. Damaged or entangled cords increase the risk of electric shock.

When operating a power tool outdoors, use an extension cord suitable for outdoor use. Use of a cord suitable for outdoor use reduces the risk of electric shock.

If operating a power tool in a damp location is unavoidable, use a ground fault circuit interrupter (GFCI) protected supply. Use of a GFCI reduces the risk of electric shock.

Personal safety

Stay alert, watch what you are doing and use common sense when operating a power tool. Do not use a power tool while you are tired or under the influence of drugs, alcohol or medication. A moment of inattention while operating power tools may result in serious personal injury.

Use personal protective equipment. Always wear eye protection. Protective equipment such as a dust mask, non-skid safety shoes, hard hat or hearing protection used for appropriate conditions will reduce personal injuries.

Prevent unintentional starting. Ensure the switch is in the off-position before connecting to power source and/or battery pack, picking up or carrying the tool. Carrying power tools with your finger on the switch or energizing power tools that have the switch on invites accidents.

Remove any adjusting key or wrench before turning the power tool on. A wrench or a key left attached to a rotating part of the power tool may result in personal injury.

Do not overreach. Keep proper footing and balance at all times. This enables better control of the power tool in unexpected situations.

Dress properly. Do not wear loose clothing or jewelry. Keep your hair and clothing away from moving parts. Loose clothes, jewelry or long hair can be caught in moving parts.

If devices are provided for the connection of dust extraction and collection facilities, ensure these are connected and properly used. Use of dust collection can reduce dust-related hazards.

Do not let familiarity gained from frequent use of tools allow you to become complacent and ignore tool safety principles. A careless action can cause severe injury within a fraction of a second.

Power tool use and care

Do not force the power tool. Use the correct power tool for your application. The correct power tool will do the job better and safer at the rate for which it was designed.

Do not use the power tool if the switch does not turn it on and off. Any power tool that cannot be controlled with the switch is dangerous and must be repaired.

Disconnect the plug from the power source and/or remove the battery pack, if detachable, from the power tool before making any adjustments, changing accessories, or storing power tools. Such preventive safety measures reduce the risk of starting the power tool accidentally.

Store idle power tools out of the reach of children and do not allow persons unfamiliar with the power tool or these instructions to operate the power tool. Power tools are dangerous in the hands of untrained users.

Maintain power tools and accessories. Check for misalignment or binding of moving parts, breakage of parts and any other condition that may affect the power tool's operation. If damaged, have the power tool repaired before use. Many accidents are caused by poorly maintained power tools.

Keep cutting tools sharp and clean. Properly maintained cutting tools with sharp cutting edges are less likely to bind and are easier to control.

Use the power tool, accessories and tool bits etc. in accordance with these instructions, taking into account the working conditions and the work to be performed.

Use of the power tool for operations different from those intended could result in a hazardous situation.

Keep handles and grasping surfaces dry, clean and free from oil and grease. Slippery handles and grasping surfaces do not allow for safe handling and control of the tool in unexpected situations.

Battery tool use and care

Recharge only with the charger specified by the manufacturer. A charger that is suitable for one type of battery pack may create a risk of fire when used with another battery pack.

Use power tools only with specifically designated battery packs. Use of any other battery packs may create a risk of injury and fire.

When battery pack is not in use, keep it away from other metal objects, like paper clips, coins, keys, nails, screws or other small metal objects, that can make a connection from one terminal to another. Shorting the battery terminals together may cause burns or a fire.

Under abusive conditions, liquid may be ejected from the battery; avoid contact. If contact accidentally occurs, flush with water. If liquid contacts eyes, additionally seek medical help. Liquid ejected from the battery may cause irritation or burns.

Do not use a battery pack or tool that is damaged or modified. Damaged or modified batteries may exhibit unpredictable behavior resulting in fire, explosion or risk of injury.

Do not expose a battery pack or tool to fire or excessive temperature. Exposure to fire or temperature above 265 °F may cause explosion.

Follow all charging instructions and do not charge the battery pack or tool outside the temperature range specified in the instructions. Charging improperly or at temperatures outside the specified range may damage the battery and increase the risk of fire.

Service

Have your power tool serviced by a qualified repair person using only identical replacement parts. This will ensure that the safety of the power tool is maintained.

Never service damaged battery packs. Service of battery packs should only be performed by the manufacturer or authorized service providers

SAFETY WARNINGS FOR IMPACT DRIVER

Hold the power tool by insulated gripping surfaces, when performing an operation where the fastener may contact hidden wiring. Fasteners contacting a “live” wire may make exposed metal parts of the power tool “live” and could give the operator an electric shock.










WARNING




- Some dust created by power sanding, sawing, grinding, drilling and other construction activities contains chemicals known to the State of California to cause cancer, birth defects or other reproductive harm. Some examples of these chemicals are:
 - Lead from lead-based paints.
 - Crystalline silica from bricks, cement, and other masonry products.

- Arsenic and chromium from chemically-treated lumber.
- Your risk from these exposures varies, depending upon how often you do this type of work. To reduce your exposure to these chemicals:
 - Work in a well-ventilated area.
 - Work with approved safety equipment, such as dust masks that are specially designed to filter out microscopic particles.
 - Avoid prolonged contact with dust from power sanding, sawing, grinding, drilling, and other construction activities. Wear protective clothing and wash exposed areas with soap and water. Allowing dust to get into your mouth or eyes or to lie on the skin may promote absorption of harmful chemicals.







SYMBOLS

IMPORTANT: Some of the following symbols may be used on your tool. Please study them and learn their meaning. Proper interpretation of these symbols will allow you to operate the tool better and safer.

Symbol	Name	Designation/Explanation
V	Volts	Voltage
A	Amperes	Current
Hz	Hertz	Frequency (cycles per second)
W	Watt	Power
kg	Kilograms	Weight
min	Minutes	Time
s	Seconds	Time
Wh	Watt-hours	Battery capacity
Ah	Ampere-hours	Battery capacity
∅	Diameter	Size of drill bits, grinding wheels, etc.
n_0	No load speed	Rotational speed, at no load
n	Rated speed	Maximum attainable speed
.../min	Revolutions or reciprocations per minute (rpm)	Revolutions, strokes, surface speed, orbits, etc. per minute
O	Off position	Zero speed, zero torque...
1,2,3,... I,II,III,	Selector settings	Speed, torque, or position settings. Higher number means greater speed
	Infinitely variable selector with off	Speed is increasing from 0 setting
	Arrow	Action in the direction of arrow
	Alternating current (AC)	Type or a characteristic of current
	Direct current (DC)	Type or a characteristic of current
	Alternating or direct current (AC / DC)	Type or a characteristic of current
	Class II tool	Designates Double Insulated Construction tools.
	Protective earth	Grounding terminal
	Li-ion RBRC seal	Designates Li-ion battery recycling program
	Read the instructions	Alerts user to read manual

Symbol	Name	Designation/Explanation
	Wear eye protection symbol	Alerts user to wear eye protection
	Always operate with two hands	Alerts user to always operate with two hands
	Do not use the guard for cut-off operations	Do not use the guard for cut-off operations

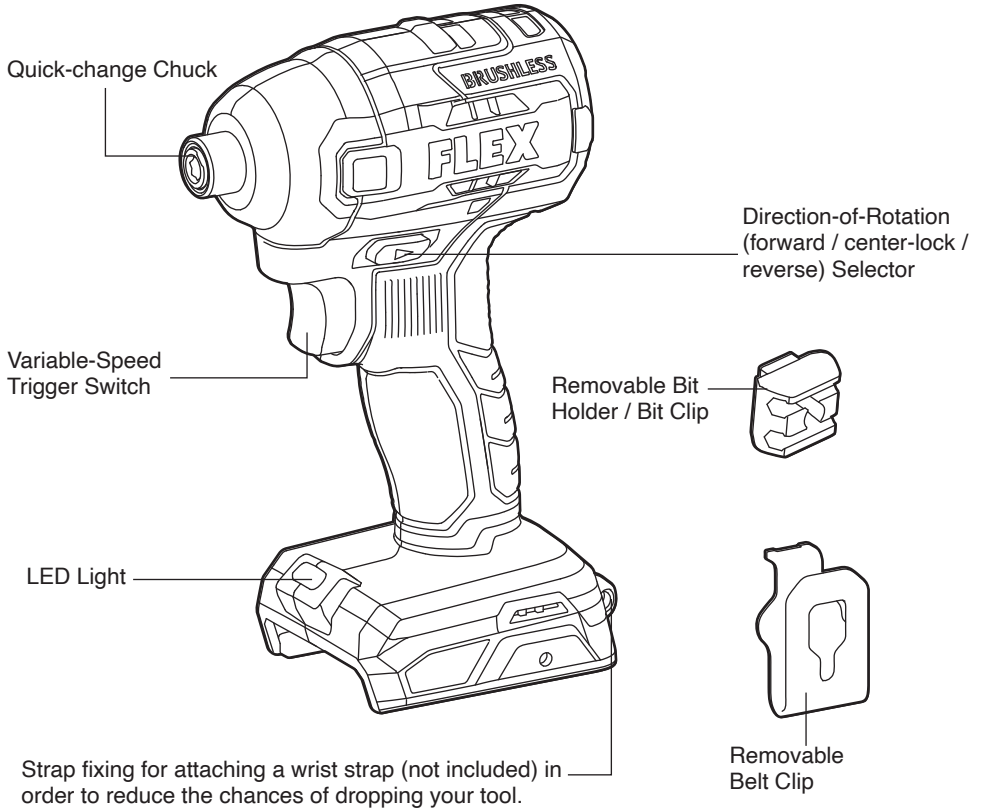
SYMBOLS (CERTIFICATION INFORMATION)

Symbol	Designation/Explanation
	This symbol designates that this tool is listed by Underwriters Laboratories.
	This symbol designates that this component is recognized by Underwriters Laboratories.
	This symbol designates that this tool is listed by Underwriters Laboratories, to United States and Canadian Standards.
	This symbol designates that this tool is listed by the Canadian Standards Association.
	This symbol designates that this tool is listed by the Canadian Standards Association, to United States and Canadian Standards.
	This symbol designates that this tool is listed by the Intertek Testing Services, to United States and Canadian Standards.

FUNCTIONAL DESCRIPTION AND SPECIFICATIONS

Impact Driver

Fig. 1



Model No.	FX1351
Rated Voltage	24 V d.c.
Collet size	1/4" (6mm) hex
No-load Speed	0-3400 RPM
Maximum torque	1800 in.lbs
Impacts per minute	4000 /min (IPM)
Recommended operating temperature	-4 – 104°F (-20 – 40°C)
Recommended storage temperature	< 122°F (< 50°C)

ASSEMBLY

⚠ WARNING Detach the battery pack from the tool before making any assembly, adjustments or changing accessories. Such preventive safety measures reduce the risk of starting the tool accidentally.

TO ATTACH/DETACH BATTERY PACK (FIG. 2)

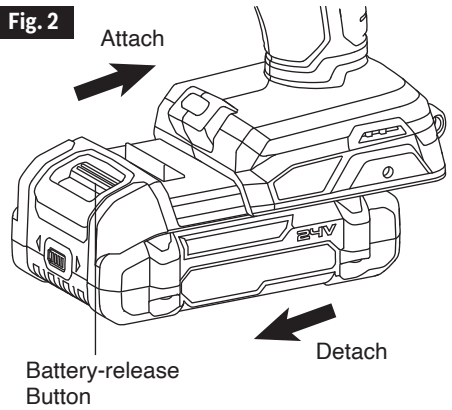
Lock the variable-speed trigger switch “OFF” on the tool by placing the direction-of-rotation (forward/center-lock/reverse) selector in the center position before attaching or detaching the battery pack.

To attach the battery pack:

Align the raised rib on the battery pack with the grooves in the tool and then slide the battery pack onto the tool.

NOTICE: When placing the battery pack onto the tool, be sure that the raised rib on the battery pack aligns with the groove inside the tool and that the latches snap into place properly. Improper attachment of the battery pack can cause damage to internal components.

Fig. 2



To detach the battery pack:

Depress the battery-release button located on the front of the battery pack, to release the battery pack. Pull the battery pack out and remove it from the tool.

REMOVABLE BELT CLIP (FIG. 3)

Your tool is equipped with a removable belt clip that can be positioned on the side of the tool for convenient transport.

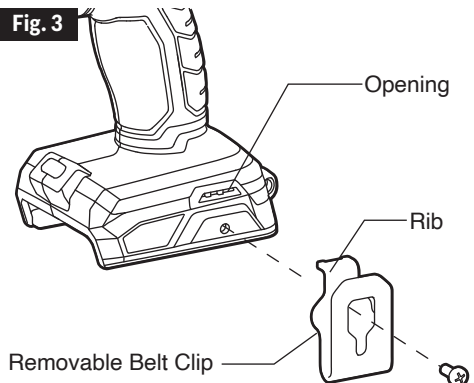
Install the belt clip onto the tool:

- Remove the battery pack from the tool.
- Align the rib and the hole of the belt clip with the opening and the threaded hole on the base of the tool, respectively.
- Insert the screw and securely tighten the screw with a screwdriver.

Remove the belt clip from the tool:

- Remove the battery pack from the tool.
- Use a screwdriver to loosen the screw that attaches the belt clip to the impact driver.
- Remove the screw and the belt clip.

Fig. 3



REMOVABLE BIT CLIP (FIG.4)

Your tool is also equipped with a removable bit clip that can be positioned on the side of the tool for storing bits.

Install the bit clip onto the tool:

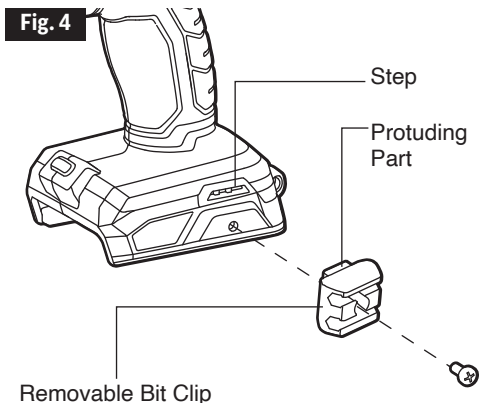
- Remove the battery pack from the tool.
- Align the hole of the bit clip with the threaded hole on the base of the tool.

NOTICE: Ensure that the protruding part on the bit clip is kept flush against the step on the base of the tool to keep it steady.

- Insert the screw and securely tighten the screw with a screwdriver.

Remove the bit clip from the tool:

- Remove the battery pack from the tool.
- Use a screwdriver to loosen the screw that attaches the bit clip to the impact driver.
- Remove the screw and the bit clip.



INSTALL AND REMOVE BITS (FIG. 5)

Your tool is equipped with a quick-change chuck, making the bit installation and removal very easy.

Lock the variable-speed trigger switch OFF by placing the direction-of-rotation selector in the center position.

To install the bit:

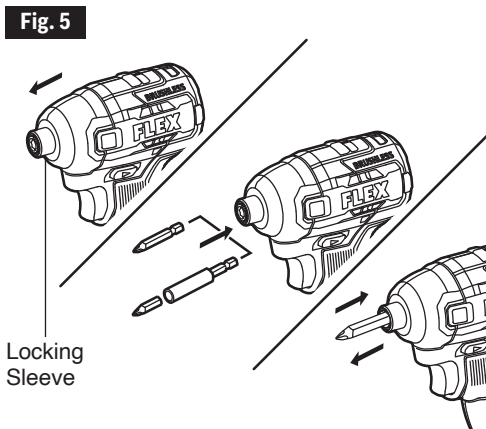
Pull the locking sleeve forward (away from the tool), insert the bit as far as it will go into the chuck, and release the locking sleeve to lock the bit.

To remove the bit:

Pull the locking sleeve forward (away from the tool). Pull the bit from the chuck and release the sleeve.

NOTICE: Use only bits with power grooves; other bits can be used with a universal bit holder that has power groove (not included). Do not use a bit that has a damaged shank.

⚠ WARNING The bit may be hot after prolonged use. Use protective gloves when removing the bit from the tool, or first allow the bit to cool down.



ADJUSTMENTS

DIRECTION-OF-ROTATION (FORWARD/CENTER-LOCK/REVERSE) SELECTOR

⚠ WARNING After tool use, lock the direction-of-rotation selector in the “OFF” position (center-lock) to help prevent accidental starts and possible injury.

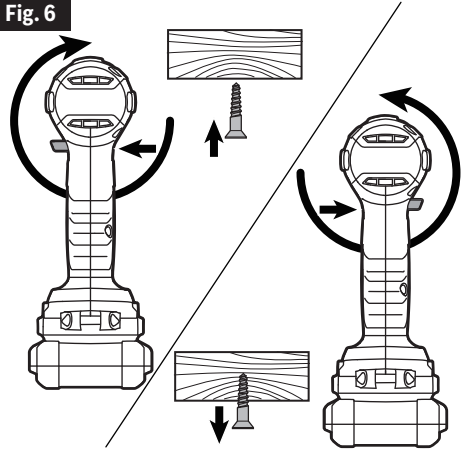
Your tool is equipped with a direction-of-rotation selector, located above the variable-speed trigger switch. This selector is used to change the direction of rotation of the bit and to lock the variable-speed trigger in the “OFF” (center-lock) position.

- Position the direction-of-rotation selector to the far left of the tool to drive screws in or tighten bolts/nuts (Fig. 6).
- Position the direction-of-rotation selector to the far right of the tool to remove screws or loosen bolts/nuts (Fig. 6).
- Position the switch in the “OFF” (center-lock) position to help reduce the possibility of accidental starting when not in use.

NOTICE: To prevent gear damage, always allow the impact driver to come to a complete stop before changing the direction of rotation.

NOTICE: The impact driver will not run unless the direction-of-rotation selector is engaged fully to the left or to the right.

Fig. 6



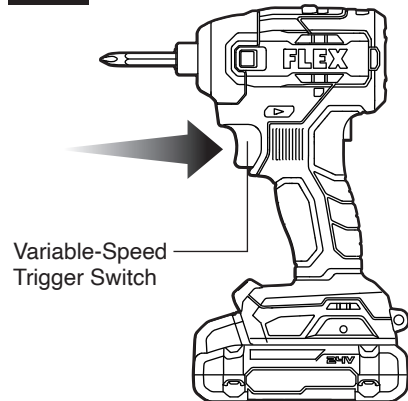
⚠ WARNING Battery tools are always in operating condition. Therefore, the direction-of-rotation (forward/center-lock/reverse) selector should always be locked in the center position when the tool is not in use or when carrying it at your side.

VARIABLE-SPEED TRIGGER SWITCH (FIG. 7)

Your tool is equipped with a variable-speed trigger switch. The tool can be turned ON or OFF by depressing or releasing the variable-speed trigger switch.

The variable-speed trigger switch delivers higher speed with increased trigger pressure and lower speed with decreased trigger pressure.

Fig. 7



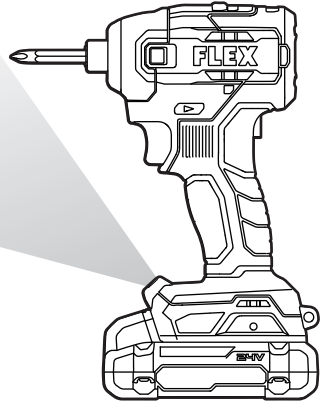
LED LIGHT (FIG. 8)

Your tool is equipped with the LED work light. This provides additional light on the surface of the work piece for operation in lower-light areas.

The LED work light will automatically turn on with a slight squeeze on the trigger switch before the tool starts running. It will turn off approximately 10 seconds after the trigger switch is released.

- a. The LED light will rapidly flash when the tool and/or battery pack becomes overloaded or too hot, and the internal sensors will turn the tool off. Rest the tool for a while or place the tool and battery pack separately under air flow to cool them.
- b. The LED light will flash more slowly to indicate that the battery pack charge is at low capacity. Recharge the battery pack.
- c. If the LED does not turn on when you start the tool, or it turns off suddenly during operation, please contact customer service or an authorized service center for assistance.

Fig. 8



OPERATING INSTRUCTIONS

⚠ WARNING To reduce the risk of fire, personal injury, and product damage due to a short circuit, never immerse your tool, battery pack or charger in fluid or allow a fluid to flow inside them. Corrosive or conductive fluids, such as seawater, certain industrial chemicals, and bleach or bleach-containing products, etc. can cause a short circuit.

⚠ WARNING If any parts are damaged or missing, do not operate this product until the parts are replaced. Use of this product with damaged or missing parts could result in serious personal injury.

This impact driver must be used only with the battery packs and chargers listed below:

Battery Pack				Charger	
2.5Ah	5Ah	8Ah	12Ah	FLEX FX0411	FLEX FX0421
FLEX FX0111	FLEX FX0121	FLEX FX0221	FLEX FX0231	FLEX FX0411	FLEX FX0421

NOTICE: Please refer to the battery pack and charger manuals for detailed operating information.

TIGHTEN AND LOOSEN SCREWS, NUTS AND BOLTS (FIG. 9)

Variable-speed control must be used with caution for driving nuts and bolts using socket set attachments. The best technique is to start slowly, increase speed as the nut or bolt runs down, and then set the nut or bolt snugly by slowing the tool to a stop. If this procedure is not followed, the tool will have a tendency to torque or twist in your hand when the nut or bolt seats.

- Install a suitable bit.
- Apply just enough pressure to keep the bit engaged on the screw or nut.
- Apply minimal pressure to the variable-speed trigger switch initially. Increase the speed only when full control can be maintained.

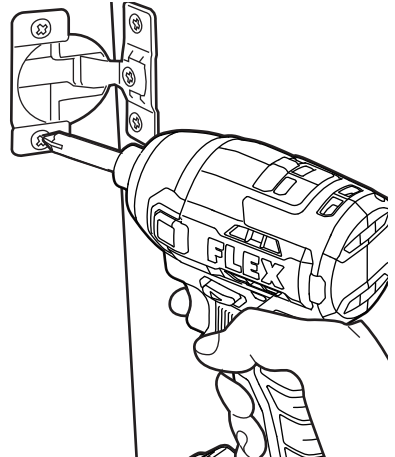
NOTICE:

- Always use the correct type and size of bit for your application.
- When turning in a screw at/near the crosscut end or an edge of wood, pre-drill a hole in order to avoid cracking of the wood.
- When screw driving in hard wood, one should pre-drill a pilot hole.

⚠ WARNING Do not attempt to modify this tool or create accessories not recommended for use with this tool. Any such alteration or modification is misuse and could result in a hazardous condition leading to possible serious injury.

⚠ WARNING To prevent accidental starting that could cause serious personal injury, always remove the battery pack from the tool when assembling parts.

Fig. 9



⚠ WARNING Do not over-tighten, as the force of the impact driver can break the fastener. Keep the impact driver at a right angle to the fastener to avoid damaging the fastener head.

MAINTENANCE

⚠ WARNING To avoid serious personal injury, always remove the battery pack from the tool when cleaning or performing any maintenance.

SERVICE

⚠ WARNING Preventive maintenance performed by unauthorized personnel may result in misplacing of internal wires and components which could cause a serious hazard. We recommend that all tool service be performed by a FLEX Factory Service Center or Authorized FLEX Service Station.

GENERAL MAINTENANCE

⚠ WARNING When servicing, use only identical replacement parts. Use of any other parts could create a hazard or cause product damage. Periodically inspect the entire product for damaged, missing, or loose parts such as screws, nuts, bolts, caps, etc. Tighten securely all fasteners and caps and do not operate this product until all missing or damaged parts are replaced. Please contact customer service or an authorized service center for assistance.

CLEANING

⚠ WARNING The tool may be cleaned most effectively with compressed dry air. Always wear safety goggles when cleaning tools with compressed air. Ventilation openings and switch levers must be kept clean and free of foreign matter. Do not attempt to clean by inserting pointed objects through openings.

⚠ WARNING Certain cleaning agents and solvents damage plastic parts. Some of these are: gasoline, carbon tetrachloride, chlorinated cleaning solvents, ammonia and household detergents that contain ammonia.

STORAGE

Store the tool indoors in a place that is inaccessible to children. Keep away from corrosive agents.

ACCESSORIES

⚠ WARNING The use of any other accessories not specified in this manual may create a hazard.

Removable Bit Holder / Bit Clip

Removable Bit clip

FLEX 5 YEAR LIMITED WARRANTY

Chervon North America, Inc. ("Seller") warrants to the original purchaser only, that all FLEX 24V products will be free from defects in material or workmanship for a period of five years from date of purchase when the original purchaser registers the product within 30 days from the date of original retail purchase and retains their receipt as proof of purchase. THE 5-YEAR LIMITED WARRANTY PERIOD IS CONDITIONED ON REGISTRATION OF THE PRODUCT WITHIN 30 DAYS OF PURCHASE AND ONLY APPLICABLE TO FLEX 24V TOOLS, BATTERIES AND CHARGERS. If the original purchaser does not register their product within 30 days, the foregoing limited warranty will apply for a duration of three years. Product registration can be completed online at www.registermyflex.com.

24V Tools: 5-Year Limited Warranty with Registration

24V Batteries and Chargers: 5-Year Limited Warranty with Registration

Corded, 12V and 20V FLEX Legacy Products: 1-Year Limited Warranty, No Registration Benefit

Accessories and Attachments: No Warranty

SELLER'S SOLE OBLIGATION AND YOUR EXCLUSIVE REMEDY under this 5-Year Limited Warranty and, to the extent permitted by law, any warranty or condition implied by law, shall be the repair or replacement of parts, without charge, which are defective in material or workmanship and which have not been misused, carelessly handled, or repaired by persons other than a FLEX Authorized Service Dealer. This warranty does not cover part failure due to normal wear and tear. To make a claim under warranty, return the complete product, transportation prepaid, to any FLEX Authorized Service Dealer. For Authorized FLEX Service Dealers, please visit www.registermyflex.com or call 1-833-FLEX-496 (1-833-353-9496).

This 5-Year Limited Warranty does not apply to accessories, attachments or parts.

Any implied warranties applicable to a product shall be limited in duration equal to the duration of the express warranties applicable to such product, as set forth in the first paragraph above. Some states in the U.S. and some Canadian provinces do not allow limitations on how long an implied warranty lasts, so the above limitation may not apply.

FLEX is not responsible for direct, indirect, incidental or consequential damages. Some U.S. states and Canadian provinces do not allow limitations on how long an implied warranty lasts and/or do not allow the exclusion or limitation of incidental or consequential damages, so the above limitations or exclusions may not apply. This limited warranty gives you specific legal rights, and you may also have other rights which vary by state in the U.S. and by province in Canada.

This limited warranty applies only to products sold within the United States of America, Canada and the commonwealth of Puerto Rico. For warranty coverage within other countries, contact your local FLEX dealer.

© Chervon North America, 1203 E. Warrenville Rd., Naperville, IL 60563

www.flexpowertools.com





www.registermyflex.com

1-833-FLEX-496 (1-833-353-9496)

SYMBOLES RELATIFS À LA SÉCURITÉ

La raison d'être des symboles relatifs à la sécurité est d'attirer votre attention sur des dangers possibles. Il est important de vous familiariser avec les symboles relatifs à la sécurité et les explications qui les accompagnent afin de bien les comprendre. Les avertissements et les symboles associés ne suffisent pas à éliminer tous les dangers. Les instructions et les avertissements qu'ils donnent ne sauraient remplacer des mesures de prévention des accidents appropriées.

⚠ AVERTISSEMENT Lisez toutes les consignes de sécurité qui sont contenues dans ce Mode d'emploi, y compris tous les symboles d'alerte relatifs à la sécurité tels que « **DANGER** », « **AVERTISSEMENT** » et « **MISE EN GARDE** », et assurez-vous que vous les comprenez bien avant de commencer à utiliser cet outil. La non-observation de toutes les instructions figurant ci-après pourrait causer un choc électrique, un incendie et/ou des blessures personnelles graves.

Les définitions ci-dessous décrivent le niveau de gravité pour chaque terme signalant un danger. Veuillez lire le mode d'emploi et lire la signification de ces symboles.	
	C'est le symbole d'alerte relatif à la sécurité. Il est utilisé pour vous avertir de l'existence possible d'un danger de lésion corporelle. Obéissez à tous les messages relatifs à la sécurité qui suivent ce symbole pour éviter tout risque de blessure ou même de mort.
	DANGER indique une situation dangereuse qui, si elle n'est pas évitée, causera la mort d'une personne ou une blessure grave.
	AVERTISSEMENT indique une situation dangereuse qui, si elle n'est pas évitée, causera la mort d'une personne ou une blessure grave.
	MISE EN GARDE, conjointement avec le symbole d'alerte en liaison avec la sécurité, indique une situation dangereuse qui, si elle n'est pas évitée, causera une blessure légère ou modérée.

Messages d'information et de prévention des dommages

Ils informent l'utilisateur d'informations et/ou d'instructions importantes qui pourraient entraîner des dommages matériels ou aux équipements s'ils ne sont pas suivis. Chaque message est précédé par le terme « AVIS », comme dans l'exemple ci-dessous :

AVIS : Un dommage matériel et/ou aux équipements peut survenir si ces instructions ne sont pas suivies.



⚠ AVERTISSEMENT Pendant leur fonctionnement, les outils électriques peuvent projeter des corps étrangers dans les yeux de leur utilisateur et lui infliger de graves blessures aux yeux. Portez toujours des lunettes de protection ou des lunettes de sécurité à écrans latéraux et un masque couvrant tout le visage lors de l'utilisation de ce produit. Nous recommandons de porter un masque de sécurité à vision latérale large au-dessus des lunettes ordinaires ou des lunettes de sécurité standard avec des écrans de protection sur les côtés. Utilisez toujours un équipement de protection des yeux indiquant qu'il est conforme à la norme ANSI Z87.1.

AVERTISSEMENTS GÉNÉRAUX RELATIFS À LA SÉCURITÉ POUR LES OUTILS ÉLECTRIQUES

⚠ AVERTISSEMENT Lisez tous les avertissements relatifs à la sécurité, les instructions, les illustrations et les spécifications fournies avec cet outil électrique. Le non-respect de toutes les instructions figurant ci-après pourrait causer un choc électrique, un incendie et/ou des blessures graves.

CONSERVEZ TOUS LES AVERTISSEMENTS ET TOUTES LES INSTRUCTIONS POUR RÉFÉRENCE FUTURE.

Le terme « outil électrique » dans les avertissements fait référence à votre outil électrique à cordon électrique branché dans une prise secteur ou à votre outil électrique à piles (sans fil).

Sécurité de la zone de travail

Gardez votre zone de travail propre et bien éclairée. Des zones encombrées ou sombres sont propices aux accidents.

N'utilisez pas des outils électriques dans une atmosphère explosive, par exemple en présence de liquides, de gaz ou de poussières inflammables. Les outils électriques produisent des étincelles qui risquent de mettre feu aux poussières ou aux émanations de fumée.

Gardez les enfants et autres personnes présentes à une distance suffisante lorsque vous utilisez un outil électrique. Des distractions risqueraient de vous faire perdre le contrôle.

Sécurité électrique

La fiche de l'outil électrique doit correspondre à la prise de courant. Ne modifiez jamais une fiche de quelque façon que ce soit. N'utilisez pas d'adaptateurs de fiches avec des outils électriques mis à la terre/à la masse. L'emploi de fiches non modifiées et de prises de courant correspondant naturellement aux fiches réduira le risque de choc électrique.

Évitez tout contact de votre corps avec des surfaces mises à la terre ou à la masse telles que des surfaces de tuyaux, de radiateurs, de cuisinières et de réfrigérateurs. Il existe un risque accru de choc électrique si votre corps est en contact avec la terre ou la masse.

N'exposez pas d'outils électriques à la pluie ou à un environnement humide. La pénétration d'eau dans un outil électrique augmentera le risque de choc électrique.

N'utilisez pas le cordon de façon abusive. N'utilisez pas le cordon pour porter, tirer ou débrancher l'outil électrique. Tenez le cordon à distance de toute source de chaleur, d'huile, de bords tranchants ou de pièces mobiles. Des cordons endommagés ou entortillés augmentent le risque de choc électrique.

Lorsque vous utilisez un outil électrique à l'extérieur, employez un cordon de rallonge approprié pour un emploi à l'extérieur. L'utilisation d'un cordon approprié pour une utilisation à l'extérieur réduit le risque de choc électrique.

S'il est inévitable d'utiliser un outil électrique dans un environnement humide, utilisez une alimentation protégée par un disjoncteur de circuit de fuite à la terre. L'utilisation d'un tel circuit réduit le risque de choc électrique.

Sécurité personnelle

Faites preuve de vigilance et de bon sens, et observez attentivement ce que vous faites lorsque vous utilisez un outil électrique. N'utilisez pas un outil électrique si vous êtes fatigué(e) ou sous l'influence de drogues, d'alcool ou de médicaments. Un simple moment d'inattention pendant que vous utilisez un outil électrique pourrait causer une blessure grave.

Utilisez des équipements de protection personnelle. Portez toujours des équipements de protection des yeux. Des équipements de protection tels qu'un masque de protection contre la poussière, des chaussures de sécurité antidérapantes, un casque ou un dispositif de protection de l'ouïe utilisés en fonction des conditions réduiront le nombre des blessures.

Prévenez une mise en marche accidentelle. Assurez-vous que l'interrupteur est dans la position d'arrêt (OFF) avant de connecter l'appareil à une source d'alimentation et/ou à un bloc-piles, de le soulever ou de le transporter. Le fait de transporter des outils électriques avec le doigt sur l'interrupteur ou de mettre sous tension des outils électriques avec l'interrupteur en position de marche invite les accidents.

Retirez toute clé de réglage pouvant être attachée à l'outil avant de mettre l'outil électrique sous tension. Une clé laissée attachée à une pièce en rotation de l'outil électrique pourrait causer une blessure.

Ne faites rien qui risquerait de vous faire perdre l'équilibre. Veillez à toujours garder un bon équilibre et un appui stable. Ceci permet de mieux contrôler l'outil électrique dans des situations inattendues.

Portez des vêtements appropriés. Ne portez pas de bijoux ou de vêtements amples. Gardez vos cheveux et vos vêtements à une distance suffisante des pièces mobiles. Les vêtements amples, bijoux ou cheveux longs pourraient être attrapés par des pièces mobiles.

Si des dispositifs sont fournis pour le raccordement d'accessoires d'extraction et de collecte de la poussière, assurez-vous qu'ils sont connectés et utilisés de façon appropriée. L'emploi correct de l'accessoire de collecte de la poussière peut réduire les dangers associés à la poussière.

Ne laissez pas la familiarité résultant de l'utilisation fréquente des outils vous inciter à devenir complaisant(e) et à ignorer les principes de sécurité des outils. Une action négligente pourrait causer des blessures graves en une fraction de seconde.

Utilisation et entretien de l'outil électrique

N'imposez pas de contraintes excessives à l'outil électrique. Utilisez l'outil électrique approprié pour votre application. L'outil électrique correct fera le travail plus efficacement et avec plus de sécurité à la vitesse à laquelle il a été conçu pour fonctionner.

N'utilisez pas l'outil électrique si l'interrupteur de marche/arrêt ne permet pas de le mettre sous tension/hors tension. Tout outil électrique qui ne peut pas être contrôlé

par son interrupteur est dangereux et doit être réparé.

Débranchez la fiche de la prise secteur et/ou retirez le bloc-piles de l'outil électrique (s'il est amovible) avant d'y apporter de quelconques modifications, de changer d'accessoire ou de ranger l'outil électrique. De telles mesures de sécurité préventives réduisent le risque de déclenchement accidentel de l'outil électrique.

Rangez les outils électriques qui ne sont pas utilisés activement hors de portée des enfants, et ne laissez aucune personne n'ayant pas lu ces instructions et ne sachant pas comment utiliser un tel outil se servir de cet outil. Les outils électriques sont dangereux quand ils sont entre les mains d'utilisateurs n'ayant pas reçu la formation nécessaire à leur utilisation.

Entretenez de façon appropriée les outils électriques et les accessoires. Assurez-vous que les pièces en mouvement sont bien alignées et qu'elles ne se coincent pas, qu'il n'y a pas de pièces cassées ou qu'il n'existe aucune situation pouvant affecter le fonctionnement de l'outil électrique. Si l'outil électrique est endommagé, faites-le réparer avant de vous en servir à nouveau. De nombreux accidents sont causés par des outils électriques mal entretenus.

Gardez les outils de coupe tranchants et propres. Des outils de coupe entretenus de façon adéquate avec des bords de coupe tranchants sont moins susceptibles de se coincer et sont plus faciles à contrôler.

Utilisez l'outil électrique, les accessoires, les mèches de perçage, etc. conformément à ces instructions, en tenant compte des conditions de travail et de la tâche à accomplir. L'utilisation de l'outil électrique pour des opérations différentes de celles pour lesquelles il est conçu pourrait causer une situation dangereuse.

Gardez les poignées et les surfaces de préhension propres, sèches et exemptes de toute trace d'huile ou de graisse. Les poignées et les surfaces de préhension glissantes ne permettent pas une manipulation et un contrôle sûrs de l'outil dans des situations inattendues.

Utilisation et entretien de l'outil électrique à pile

Ne rechargez l'outil qu'avec le chargeur indiqué par le fabricant. Un chargeur qui est approprié pour un type de bloc-piles pourrait créer un risque d'incendie quand il est utilisé avec un autre bloc-piles.

Utilisez votre outil exclusivement avec des blocs-piles conçus spécifiquement pour celui-ci. L'emploi de tout autre bloc-piles risquerait de causer des blessures et un incendie.

Lorsque le bloc-piles n'est pas utilisé, gardez-le à une distance suffisante des autres objets en métal, comme des trombones, pièces de monnaie, clés, clous, vis ou autres petits objets en métal qui pourraient faire une connexion entre une borne et une autre. Le court-circuitage des bornes d'une pile pourrait causer des brûlures ou un incendie.

Dans des conditions d'utilisation abusives, du liquide pourrait être éjecté de la pile; évitez tout contact. En cas de contact accidentel, lavez avec de l'eau. En cas de contact de liquide avec les yeux, consultez un professionnel de santé. Tout liquide éjecté d'une pile peut causer de l'irritation ou des brûlures.

N'utilisez pas un bloc-piles ou un outil qui est endommagé ou a été modifié. Des piles endommagées ou modifiées peuvent se comporter de façon imprévisible et causer un incendie, une explosion ou des blessures.

N'exposez pas un bloc-piles ou un outil à un feu ou à une température excessive. L'exposition à un feu ou à une température supérieure à 130° C / 265° F pourrait causer une explosion.

Suivez toutes les instructions relatives à la charge et ne chargez pas le bloc-piles ou l'outil en dehors de la plage de température indiquée dans les instructions. Une charge dans des conditions appropriées ou à des températures en dehors de la plage spécifiée pourrait endommager la pile et augmenter le risque d'incendie.

Service après-vente

Faites entretenir votre outil électrique par un réparateur compétent n'utilisant que des pièces de rechange identiques. Ceci assurera le maintien de la sécurité de l'outil électrique.

Ne tentez jamais de réparer des blocs-piles endommagés. La réparation de blocs-piles ne doit être effectuée que par le fabricant ou un prestataire de services agréé.

AVERTISSEMENTS RELATIFS À LA SÉCURITÉ POUR LA VISSEUSE À PERCUSSION

Tenez l'outil électrique par ses surfaces de préhension isolées lorsque vous effectuez une opération dans le cadre de laquelle l'élément de fixation risque d'entrer en contact avec un fil caché. L'entrée en contact d'un élément de fixation avec un fil sous tension pourrait rendre conductrices des parties en métal exposées de l'outil électrique et causer un choc électrique à l'opérateur.









⚠ AVERTISSEMENT





- Des travaux de ponçage, de sciage, de meulage et de perçage réalisés avec un outil électrique et d'autres travaux de construction peuvent produire des poussières qui, selon l'État de Californie, contiennent des produits chimiques qui sont des causes reconnues de cancer, de malformation congénitale ou d'autres problèmes reproductifs. Ces produits chimiques sont, par exemple :
 - du plomb provenant de peinture au plomb,
 - des cristaux de silices provenant des briques et du ciment, et d'autres produits de maçonnerie, et

- de l'arsenic et du chrome provenant de bois de construction traité par des produits chimiques.
- Le niveau de risque causé par de telles expositions varie en fonction de la fréquence de ces types de travaux. Pour réduire votre exposition à ces produits chimiques :
 - Travaillez toujours dans un endroit bien ventilé.
 - Portez un équipement de sécurité approprié tel que certains masques conçus spécialement pour filtrer les particules microscopiques.
 - Évitez tout contact prolongé avec la poussière produite par le ponçage, le sciage, le meulage, le perçage et d'autres activités de construction avec des outils électriques. Portez des vêtements de protection et lavez les surfaces de la peau ayant été exposées avec de l'eau et du savon. Si vous laissez de la poussière pénétrer dans votre bouche ou dans vos yeux, ou rester sur votre peau, cela risquerait de promouvoir l'absorption de produits chimiques toxiques.







SYMBOLES

IMPORTANT : Les symboles suivants peuvent figurer sur votre outil. Familiarisez-vous avec eux et apprenez leur signification. En comprenant ces symboles, vous serez en mesure de faire fonctionner cet outil de façon adéquate et sécuritaire.

Symbole	Nom	Forme au long et explication
V	Volts	Tension
A	Ampères	Courant
Hz	Hertz	Fréquence (cycles par seconde)
W	Watt	Puissance
kg	Kilogrammes	Poids
min	Minutes	Durée
s	Secondes	Durée
Wh	Watheures	Capacité de la pile
Ah	Ampères-heures	Capacité de la pile
Ø	Diamètre	Taille des forets, des meules, etc.
n_0	Vitesse à vide	Vitesse de rotation à vide
n	Vitesse nominale	Vitesse maximale atteignable
.../min	Nombre de tours ou mouvements de va-et-vient par minute (tr/min)	Tours, coups, vitesse périphérique, orbites, etc., par minute
O	Position d'arrêt	Vitesse nulle, couple nul...
1,2,3,... I,II,III,	Réglages du sélecteur	Réglages de la vitesse, du couple ou de la position. Plus le nombre est élevé, plus la vitesse est grande.
	Sélecteur à réglage continu avec mode d'arrêt	La vitesse augmente à partir du réglage 0
	Flèche	L'activation se fait dans le sens de la flèche
	Courant alternatif (c.a.)	Type de courant ou caractéristique de courant
	Courant continu (c.c.)	Type de courant ou caractéristique de courant
	Courant alternatif ou continu (c.a./c.c.)	Type de courant ou caractéristique de courant
	Outil de classe II	Désigne les outils de construction à double isolation
	Mise à la terre de protection	Borne de mise à la terre
	Label du programme de recyclage des piles au lithium-ion de la RBRC	Désigne le programme de recyclage des piles au lithium-ion

Symbole	Nom	Forme au long et explication
	Lisez les instructions	Invite l'utilisateur à lire le manuel
	Symbole du port de lunettes de sécurité	Alerte l'utilisateur pour lui demander de porter une protection des yeux.
	Utilisez toujours les deux mains	Alerte l'utilisateur pour lui demander de toujours tenir l'outil avec les deux mains
	N'utilisez pas le dispositif de protection pour les opérations de tronçonnage	Alerte l'utilisateur pour lui demander de ne pas utiliser le dispositif de protection pour les opérations de tronçonnage

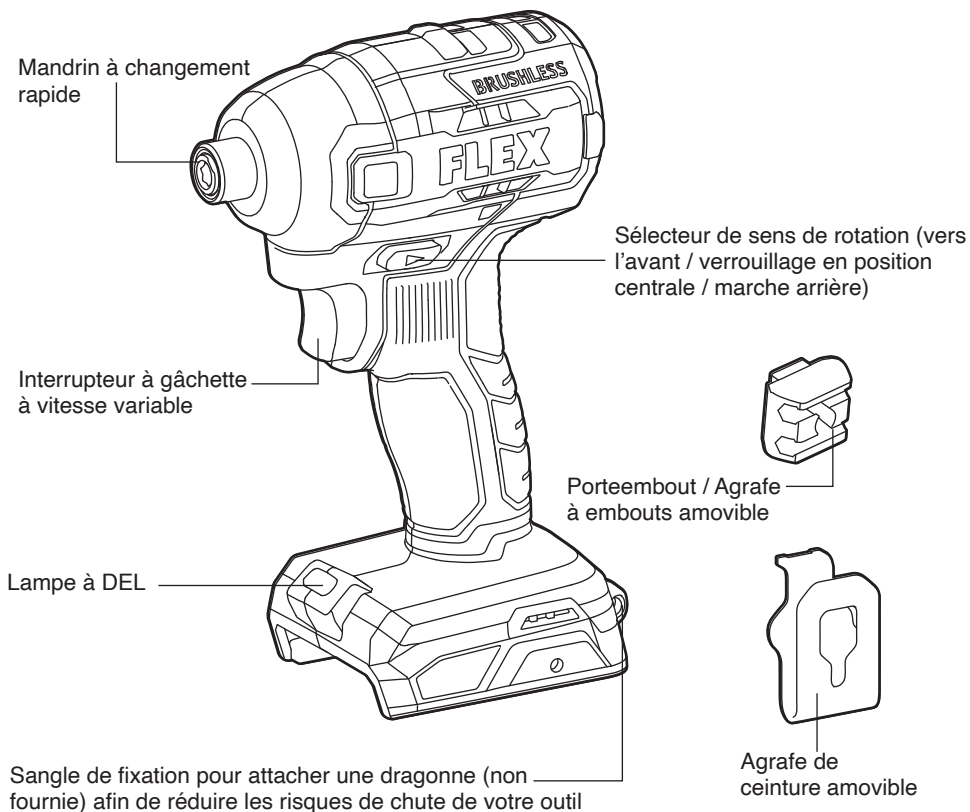
SYMBOLES (RENSEIGNEMENTS EN MATIÈRE D'HOMOLOGATION)

Symbole	Forme au long et explication
	Ce symbole indique que cet outil est répertorié par Underwriters Laboratories.
	Ce symbole indique que cet outil est reconnu par Underwriters Laboratories.
	Ce symbole indique que cet outil est répertorié par Underwriters Laboratories et qu'il est conforme aux normes américaines et canadiennes.
	Ce symbole indique que cet outil est répertorié par l'Association canadienne de normalisation.
	Ce symbole indique que cet outil est répertorié par l'Association canadienne de normalisation et qu'il est conforme aux normes américaines et canadiennes.
	Ce symbole indique que cet outil est répertorié par Intertek Testing et qu'il est conforme aux normes américaines et canadiennes.

DESCRIPTIONS ET SPÉCIFICATIONS FONCTIONNELLES

Visseuse à percussion

Fig. 1



Modèle N°	FX1351
Tension nominale	24 V c.c.
Taille de la douille	6 mm / 1/4 po hex
Vitesse à vide	0-3 400 tr/min
Couple maximum	1 800 po-lb
Impacts par minute	4 000 tr/min
Température de fonctionnement recommandée	-20 – 40° C / -4 – 104° F
Température de stockage recommandée	< 50° C / < 122° F

ASSEMBLAGE

⚠ AVERTISSEMENT Détachez le bloc-piles de l'outil avant de procéder à son assemblage, à des réglages ou à des changements d'accessoires. De telles mesures de sécurité préventives réduisent le risque de démarrage accidentel de l'outil.

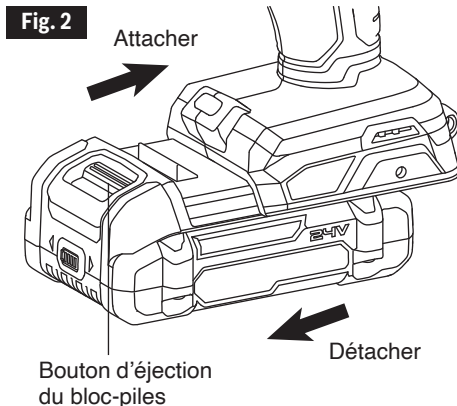
POUR ATTACHER/DÉTACHER LE BLOC-PILES (FIG. 2)

Verrouillez l'interrupteur à gâchette à vitesse variable de l'outil en position d'arrêt en plaçant le sélecteur de sens de rotation (marche avant / verrouillage en position centrale / marche arrière) dans la position centrale avant d'attacher ou de détacher le bloc-piles.

Pour attacher le bloc-piles :

Alignez la nervure surélevée du bloc-piles sur les rainures de l'outil, puis faites glisser le bloc-piles sur l'outil.

AVIS : Lorsque vous placez le bloc-piles sur l'outil, assurez-vous que la nervure surélevée sur le bloc-piles s'aligne sur la rainure à l'intérieur de l'outil et que les loquets de verrouillage se ferment correctement. Une fixation incorrecte du bloc-piles peut endommager des composants internes.



Pour détacher le bloc-piles :

Appuyez sur le bouton d'éjection du bloc-piles, qui est situé à l'avant du bloc-piles, pour éjecter le bloc-piles. Tirez sur le bloc-piles pour le faire sortir et retirez-le de l'outil.

AGRAFE DE CEINTURE AMOVIBLE (FIG. 3)

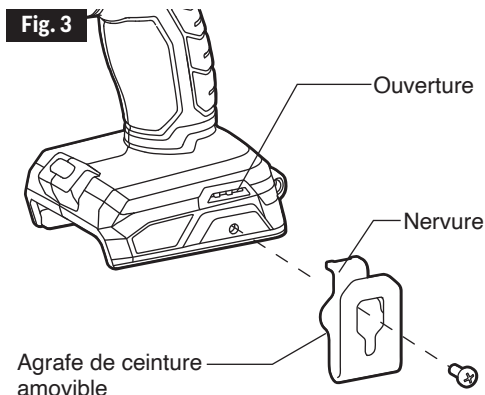
Votre outil est muni d'une agrafe de ceinture amovible qui peut être positionnée sur le côté de l'outil pour permettre un transport pratique.

Installation de l'agrafe de ceinture sur l'outil :

- Détachez le bloc-piles de l'outil.
- Alignez la nervure et le trou de l'agrafe de ceinture sur l'ouverture et le trou fileté sur la base de l'outil, respectivement.
- Insérez la vis et serrez-la fermement avec un tournevis.

Retrait de l'agrafe de ceinture de l'outil :

- Détachez le bloc-piles de l'outil.
- Utilisez un tournevis pour desserrer la vis qui attache l'agrafe de ceinture à la visseuse à percussion.
- Retirez la vis et l'agrafe de ceinture.



AGRAFE À EMOBOTS AMOVIBLE (FIG. 4)

Votre outil est également pourvu d'une agrafe à embouts amovible qui peut être positionnée sur le côté de l'outil pour y ranger les embouts.

Installation de l'agrafe à embouts sur l'outil :

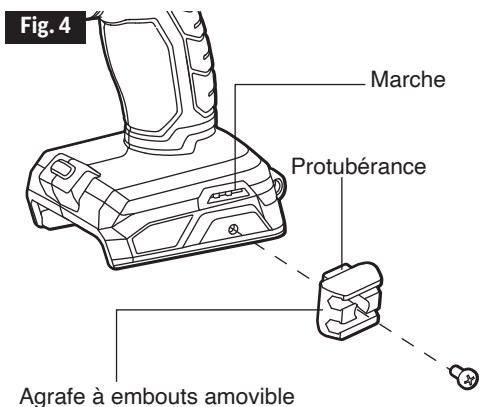
- Détachez le bloc-piles de l'outil.
- Alignez le trou de l'agrafe à embouts sur le trou fileté sur la base de l'outil.

AVIS : Assurez-vous que la protubérance sur l'agrafe à embouts est maintenue au ras de la marche sur la base de l'outil pour garantir la stabilité.

- Insérez la vis et serrez-la fermement avec un tournevis.

Retrait de l'agrafe à embouts de l'outil :

- Détachez le bloc-piles de l'outil.
- Utilisez un tournevis pour desserrer la vis qui attache l'agrafe à embouts à la visseuse à percussion.
- Retirez la vis et l'agrafe à embouts.



INSTALLATION ET RETRAIT DES EMOBOTS (FIG. 5)

Votre outil est pourvu d'un mandrin à changement rapide qui facilite beaucoup l'installation et le retrait des embouts.

Verrouillez l'interrupteur à gâchette à vitesse variable de l'outil en position d'arrêt en plaçant le sélecteur de sens de rotation dans la position centrale.

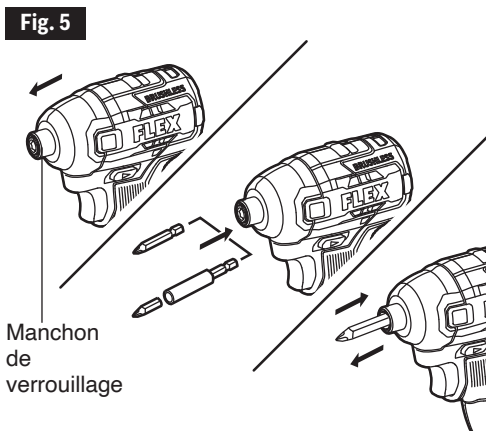
Installation de l'embout :

Tirez le manchon de verrouillage vers l'avant (dans le sens opposé à celui de l'outil), insérez l'embout aussi loin que possible dans le mandrin et relâchez le manchon de verrouillage pour verrouiller l'embout.

Retrait de l'embout :

Tirez le manchon de verrouillage vers l'avant (dans le sens opposé à celui de l'outil). Retirez l'embout du mandrin et relâchez le manchon.

AVIS : Utilisez seulement des embouts avec des rainures de transmission de puissance ; d'autres embouts peuvent être utilisés avec un porte-embout universel pourvu d'une rainure de transmission de puissance (non inclus). N'utilisez pas un embout dont la tige est endommagée.



⚠ AVERTISSEMENT L'embout peut être très chaud après une utilisation prolongée. Utilisez des gants de protection lorsque vous retirez l'embout de l'outil, ou attendez qu'il ait refroidi suffisamment.

RÉGLAGES

SÉLECTEUR DE SENS DE ROTATION (VERS L'AVANT / VERROUILLAGE EN POSITION CENTRALE / MARCHE ARRÈRE)

⚠ AVERTISSEMENT près avoir fini d'utiliser l'outil, verrouillez le sélecteur de sens de rotation dans la position centrale (arrêt) pour prévenir tout risque de mise en marche accidentelle et de blessure possible.

Votre outil est pourvu d'un sélecteur de sens de rotation, qui est situé au-dessus de l'interrupteur à gâchette à vitesse variable. Ce sélecteur est utilisé pour changer le sens de rotation de l'embout et pour verrouiller la gâchette à vitesse variable dans la position centrale (arrêt).

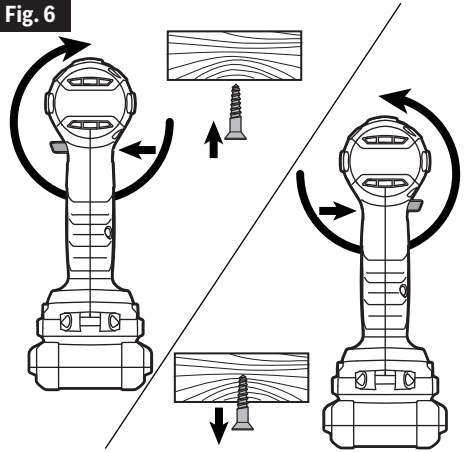
- Positionnez le sélecteur de sens de rotation à l'extrême-gauche de l'outil pour enfoncer des vis ou pour serrer des boulons ou des écrous (Fig. 6).
- Positionnez le sélecteur de sens de rotation à l'extrême-droite de l'outil pour retirer des vis ou desserrer des boulons ou des écrous (Fig. 6).
- Positionnez l'interrupteur dans la position d'arrêt (verrouillage en position centrale) pour aider à réduire le risque de démarrage accidentel quand l'outil n'est pas utilisé.

AVIS : Pour prévenir tout risque d'endommagement de l'embrayage, attendez toujours que la visseuse à percussion s'arrête complètement avant de changer le sens de rotation.

AVIS : La visseuse à percussion ne fonctionnera que si le sélecteur de sens de rotation est engagé à fond vers la gauche ou vers la droite.

⚠ AVERTISSEMENT Les outils alimentés par des piles sont toujours prêts à fonctionner. Par conséquent, le sélecteur de sens de rotation (marche avant / verrouillage en position centrale / marche arrière) doit toujours être verrouillé dans la position centrale lorsque l'outil n'est pas utilisé ou lorsque vous le transportez à votre côté.

Fig. 6

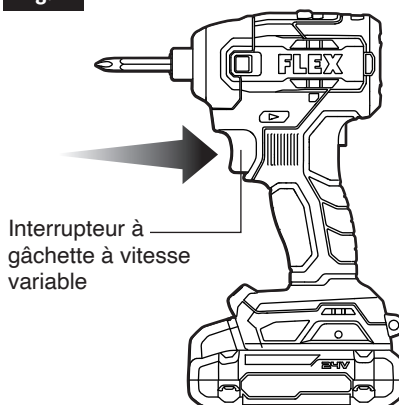


INTERRUPTEUR À GÂCHETTE À VITESSE VARIABLE (FIG. 7)

Votre outil est muni d'un interrupteur à gâchette à vitesse variable. L'outil peut être mis en marche ou arrêté en appuyant sur l'interrupteur à gâchette à vitesse variable ou en relâchant cet interrupteur.

L'interrupteur à gâchette à vitesse variable produit une vitesse supérieure avec une pression accrue sur la gâchette et une vitesse inférieure avec une pression réduite sur la gâchette.

Fig. 7



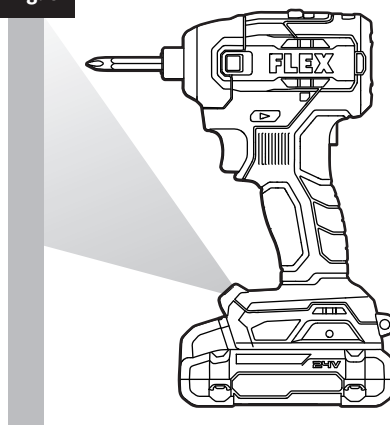
LAMPE À DEL (FIG. 8)

Votre outil est équipé d'une lampe de travail à DEL. Ceci fournit un éclairage supplémentaire sur la surface de l'ouvrage à usiner pour permettre une utilisation dans des zones faiblement éclairées.

La lampe à DEL s'allume automatiquement en appuyant légèrement sur l'interrupteur à gâchette avant que l'outil ne commence à fonctionner. La lampe de travail à DEL s'éteindra environ 10 secondes après le relâchement de l'interrupteur à gâchette.

- Si l'outil et/ou le bloc-piles sont surchargés ou trop chauds, les capteurs internes éteignent l'outil et la lampe de travail à DEL clignote alors rapidement. Reposez l'outil pendant un moment ou placez l'outil et le bloc-piles séparément sous un flux d'air pour les faire refroidir.
- La lampe de travail à DEL clignotera plus lentement pour indiquer que le bloc-piles est presque déchargé. Rechargez le bloc-piles.
- Si la lampe à DEL ne s'allume pas lorsque vous mettez l'outil sous tension, ou si elle s'éteint tout à coup pendant le fonctionnement, veuillez contacter le service à la clientèle ou un centre de service après-vente agréé pour obtenir de l'assistance.

Fig. 8



INSTRUCTIONS POUR L'UTILISATION

⚠ AVERTISSEMENT Pour réduire les risques d'incendie, de blessures et de dommages au produit dus à un court-circuit, ne plongez jamais votre outil, le bloc-piles ou le chargeur dans un liquide, et ne laissez pas de liquide s'écouler à l'intérieur de ceux-ci. Des liquides corrosifs ou conducteurs tels que l'eau de mer, certains produits chimiques industriels, l'eau de Javel ou des produits contenant de l'eau de Javel, etc. peuvent causer un court-circuit.

⚠ AVERTISSEMENT Si certaines pièces sont endommagées ou manquantes, n'utilisez pas ce produit avant que ces pièces aient été remplacées. L'utilisation de ce produit avec des pièces endommagées ou manquantes pourrait causer des blessures graves.

Cette visseuse à percussion compacte ne doit être utilisée qu'avec les blocs-piles et les chargeurs indiqués ci-dessous :

Bloc-piles				Chargeur	
2.5Ah	5Ah	8Ah	12Ah		
FLEX FX0111	FLEX FX0121	FLEX FX0221	FLEX FX0231	FLEX FX0411	FLEX FX0421

AVIS : Veuillez vous référer aux modes d'emploi du bloc-piles et du chargeur pour plus d'informations sur le fonctionnement.

⚠ AVERTISSEMENT Ne tentez pas de modifier cet outil ou de créer des accessoires qu'il n'est pas recommandé d'utiliser avec cet outil. Une telle altération ou modification constituerait une utilisation abusive et pourrait créer une situation dangereuse avec risque de blessures graves.

⚠ AVERTISSEMENT Pour empêcher tout démarrage accidentel qui pourrait causer une blessure grave, retirez toujours le bloc-piles de l'outil lorsque vous effectuez le montage de pièces.

SERRAGE ET DESSERRAGE DES VIS, ÉCROUS ET BOULONS (FIG. 9)

Le contrôle à vitesse variable doit être utilisé avec précaution lors du serrage des écrous et des boulons avec des attachements à jeux de douilles. La meilleure technique consiste à commencer lentement, à augmenter la vitesse pendant l'enfoncement de l'écrou ou du boulon, et à assurer le positionnement correct de l'écrou ou du boulon en ralentissant l'outil jusqu'à l'arrêt complet. Si cette procédure n'est pas suivie, l'outil aura tendance à produire un couple élevé ou à se tordre entre vos mains lorsque l'écrou ou le boulon sera en position.

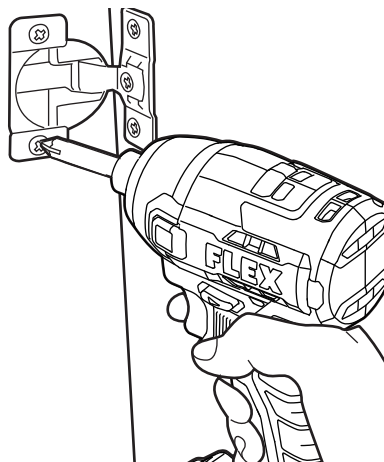
- a. Installez un embout approprié.
- b. Appliquez juste assez de pression pour maintenir l'embout engagé sur la vis ou sur l'écrou.
- c. Appliquez le minimum de pression initialement sur l'interrupteur à gâchette à vitesse variable. Augmentez seulement la vitesse lorsque vous êtes en mesure d'assurer un contrôle total.

AVIS :

- a. Utilisez toujours la taille et le type corrects d'embouts en fonction de votre application.
- b. Lorsque vous tournez une vis à l'extrémité ou près de l'extrémité de la coupe transversale ou d'une arête de bois, pré-percez un trou afin d'éviter la fissuration du bois.
- c. Lorsque vous voulez enfoncer une vis dans du bois dur, il faut pré-percer un trou pilote.

⚠ AVERTISSEMENT Ne serrez pas excessivement, étant donné que la force de la visseuse à percussion pourrait briser l'élément de fixation. Maintenez la visseuse à percussion à un angle droit par rapport à l'élément de fixation pour ne pas risquer d'endommager la tête de l'élément de fixation.

Fig. 9



MAINTENANCE

⚠ AVERTISSEMENT Pour éviter des blessures graves, retirez toujours le bloc-piles de l'outil lorsque vous le nettoyez ou quand vous effectuez des travaux de maintenance.

SERVICE APRÈS-VENTE

⚠ AVERTISSEMENT Une maintenance préventive effectuée par une personne non autorisée pourrait entraîner un placement incorrect de fils et composants internes, ce qui pourrait être très dangereux. Nous recommandons que toutes les opérations de maintenance de cet outil soient effectuées par un centre de service après-vente usine FLEX ou par un poste de service agréé par FLEX.

MAINTENANCE GÉNÉRALE

⚠ AVERTISSEMENT Lors de toute réparation, n'utilisez que des pièces de rechange identiques. L'utilisation de toutes autres pièces de rechange pourrait créer un danger ou endommager le produit. Inspectez périodiquement l'intégralité du produit pour vous assurer qu'il n'y a pas de pièces endommagées, manquantes ou desserrées comme des vis, des écrous, des boulons, des capuchons, etc. Serrez à fond tous les dispositifs de fixation et capuchons, et ne vous servez pas de ce produit

avant que toutes les pièces manquantes ou endommagées aient été remplacées. Veuillez contacter le service à la clientèle ou un centre de service après-vente agréé pour obtenir de l'assistance.

NETTOYAGE

⚠ AVERTISSEMENT La façon la plus efficace de nettoyer l'outil est en utilisant un jet d'air comprimé sec. Portez toujours des lunettes de sécurité lorsque vous nettoyez des outils avec de l'air comprimé. Les ouvertures de ventilation et les leviers des interrupteurs doivent être gardés propres, sans accumulation de saletés. Ne tentez pas de les nettoyer en insérant des objets pointus à travers les ouvertures.

⚠ AVERTISSEMENT Certains agents de nettoyage et solvants peuvent endommager les pièces en plastique. Citons notamment : l'essence, le tétrachlorure de carbone, les solvants de nettoyage chlorés, l'ammoniac et les détergents ménagers contenant de l'ammoniac.

STOCKAGE

Rangez l'outil à l'intérieur, à un endroit qui est hors de portée des enfants. Conservez-le à distance des agents corrosifs.

ACCESSOIRES

⚠ AVERTISSEMENT L'utilisation de tous autres accessoires non spécifiés dans ce mode d'emploi pourrait être dangereuse.

Agrafe de ceinture amovible

Porteembout / Agrafe à embouts amovible

GARANTIE LIMITE DE CINQ ANS

Chervon North America, Inc. (« Vendeur ») garantit uniquement à l'acheteur d'origine que tous les produits FLEX de 24 V seront exempts de tout défaut de matériel ou de fabrication pendant une période de cinq ans à compter de la date d'achat lorsque l'acheteur d'origine enregistre le produit dans les 30 jours suivant la date d'achat au détail et conserve son reçu comme preuve de l'achat. LA PÉRIODE DE GARANTIE LIMITÉE DE CINQ ANS EST CONDITIONNÉE PAR L'ENREGISTREMENT DU PRODUIT DANS LES 30 JOURS SUIVANT L'ACHAT ET NE S'APPLIQUE QU'AUX OUTILS, PILES ET CHARGEURS FLEX DE 24 V. Si l'acheteur d'origine n'enregistre pas son produit dans les 30 jours, la garantie limitée susmentionnée s'applique pour une durée de trois ans. L'enregistrement du produit peut être effectué en ligne à l'adresse suivante : www.registermyflex.com.

Outils de 24 V : Garantie limitée de cinq ans avec l'enregistrement

Piles et chargeurs de 24 V : Garantie limitée de cinq ans avec l'enregistrement

Produits filaires FLEX de la génération précédente de 12 V et de 20 V : Garantie limitée d'un an; pas de bénéfices résultant de l'enregistrement

Accessoires et attachements : Pas de garantie

LA SEULE OBLIGATION DU VENDEUR ET VOTRE SEUL RECOURS dans le cadre de cette garantie limitée de cinq ans et, dans la mesure permise par la loi, toute garantie ou condition impliquée par la loi, sera la réparation ou le remplacement des pièces, sans frais, qui sont défectueuses en termes de matériel ou de fabrication et qui n'ont pas été utilisées de façon inappropriée, manipulées avec négligence ou réparées par des personnes autres qu'un concessionnaire réparateur autorisé de FLEX. Cette garantie ne couvre pas les défaillances des pièces dues à une usure normale. Pour faire une réclamation au titre de la garantie, renvoyez le produit complet, transport payé, à un concessionnaire réparateur autorisé de FLEX. Pour identifier des concessionnaires réparateurs autorisés de FLEX, veuillez vous rendre sur le site www.registermyflex.com ou téléphonez au 1-833-FLEX-496 (1-833-353-9496).

La présente garantie limitée de cinq ans ne s'applique pas aux accessoires, attachements ou pièces.

Toute garantie implicite applicable à un produit est limitée dans le temps à une durée égale à la durée des garanties expresses applicables à ce produit, comme indiqué au premier paragraphe ci-dessus. Étant donné que certains États des États-Unis et certaines provinces canadiennes n'autorisent pas la limitation de la durée d'une garantie implicite, la limitation ci-dessus peut ne pas s'appliquer.

FLEX n'est pas responsable des dommages directs, indirects, accidentels ou consécutifs. Étant donné que certains États des États-Unis et certaines provinces canadiennes n'autorisent pas la limitation de la durée d'une garantie implicite et/ou l'exclusion ou la limitation des dommages accessoires ou indirects, les limitations ou exclusions ci-dessus peuvent ne pas s'appliquer. Cette garantie limitée vous donne des droits légaux spécifiques, et vous pouvez également avoir d'autres droits qui varient selon les États des États-Unis et les provinces du Canada.

Cette garantie limitée s'applique uniquement aux produits vendus aux États-Unis d'Amérique, au Canada et dans le Commonwealth de Porto Rico. Pour connaître la couverture de la garantie dans les autres pays, contactez votre revendeur FLEX local.

© Chervon North America, 1203 E. Warrenville Rd., Naperville, IL 60563

www.flexpowertools.com





www.registermyflex.com

1-833-FLEX-496 (1-833-353-9496)

SÍMBOLOS DE SEGURIDAD

La finalidad de los símbolos de seguridad es atraer la atención del usuario hacia posibles peligros. Los símbolos de seguridad y las explicaciones que los acompañan merecen que usted preste una atención detenida y logre una comprensión profunda. Las advertencias con símbolo no eliminan por sí mismas ningún peligro. Las instrucciones y las advertencias que dichas instrucciones dan no son sustitutos de las medidas adecuadas de prevención de accidentes.

⚠ ADVERTENCIA Asegúrese de leer y entender todas las instrucciones de seguridad incluidas en este manual del operador, incluyendo todos los símbolos de alerta de seguridad, tales como “**PELIGRO**”, “**ADVERTENCIA**” y “**PRECAUCIÓN**”, antes de utilizar esta herramienta. Si no se siguen todas las instrucciones que se indican a continuación, es posible que el resultado sea descargas eléctricas, incendio y/o lesiones corporales graves.

Las definiciones que aparecen a continuación describen el nivel de gravedad de cada palabra de aviso. Por favor, lea el manual y preste atención a estos símbolos.	
	Este es el símbolo de alerta de seguridad. Se utiliza para alertarle a usted de posibles peligros de lesiones corporales. Obedezca todos los mensajes de seguridad que sigan a este símbolo para evitar posibles lesiones o muerte.
	PELIGRO: PELIGRO indica una situación peligrosa que, si no se evita, causará la muerte o lesiones graves.
	ADVERTENCIA: ADVERTENCIA indica una situación peligrosa que, si no se evita, podría causar la muerte o lesiones graves.
	PRECAUCIÓN: PRECAUCIÓN, cuando se utiliza con el símbolo de alerta de seguridad, indica una situación peligrosa que, si no se evita, causará lesiones leves o moderadas.

Mensajes de prevención e información de daños

Estos mensajes ofrecen al usuario información e/o instrucciones importantes que hay que seguir para no causar daños al equipo u otros daños materiales. Cada mensaje va precedido por la palabra “**AVISO**”, como en el ejemplo que aparece a continuación:

AVISO: Es posible que ocurran daños al equipo y/o daños materiales si no se siguen estas instrucciones.



⚠ ADVERTENCIA La utilización de cualquier herramienta eléctrica puede hacer que se lancen objetos extraños hacia los ojos del operador, lo cual puede causar daños oculares graves. Antes de comenzar a utilizar una herramienta eléctrica, póngase siempre anteojos de seguridad o gafas de seguridad con escudos laterales y una careta completa cuando sea necesario. Recomendamos una máscara de seguridad de visión amplia para utilizarla sobre gafas o anteojos de seguridad estándar con escudos laterales. Utilice siempre protección ocular que esté marcada para cumplir con la norma ANSI Z87.1.

ADVERTENCIAS GENERALES DE SEGURIDAD PARA LA HERRAMIENTA ELÉCTRICA

⚠ ADVERTENCIA Lea todas las advertencias de seguridad, instrucciones, ilustraciones y especificaciones suministradas con esta herramienta eléctrica. Si no se siguen todas las instrucciones que se indican a continuación, es posible que el resultado sea descargas eléctricas, incendio y/o lesiones graves.

GUARDE TODAS LAS ADVERTENCIAS E INSTRUCCIONES PARA REFERENCIA FUTURA.

La expresión “herramienta eléctrica” que se incluye en las advertencias se refiere a su herramienta eléctrica alimentada por la red eléctrica (alámbrica) o su herramienta eléctrica alimentada por baterías (inalámbrica).

Seguridad en el área de trabajo

Mantenga el área de trabajo limpia y bien iluminada. Las áreas desordenadas u oscuras invitan a que se produzcan accidentes.

No utilice herramientas eléctricas en atmósferas explosivas, tales como las existentes en presencia de líquidos, gases o polvos inflamables. Las herramientas eléctricas generan chispas, las cuales pueden incendiar los polvos o los vapores.

Mantenga alejados a los niños y a los curiosos mientras esté utilizando una herramienta eléctrica. Las distracciones pueden hacerle perder el control de la herramienta.

Seguridad eléctrica

Los enchufes de las herramientas eléctricas deben coincidir con el tomacorriente. No modifique nunca el enchufe de ninguna manera. No utilice enchufes adaptadores con herramientas eléctricas conectadas a tierra (puestas a masa). Los enchufes sin modificar y los tomacorrientes coincidentes reducirán el riesgo de descargas eléctricas.

Evite el contacto del cuerpo con las superficies conectadas a tierra o puestas a masa, tales como tuberías, radiadores, estufas de cocina y refrigeradores. Hay mayor riesgo de que se produzcan descargas eléctricas si su cuerpo está conectado a tierra.

No exponga las herramientas eléctricas a la lluvia ni a condiciones mojadas. La entrada de agua en una herramienta eléctrica aumentará el riesgo de descargas eléctricas.

No maltrate el cable. No use nunca el cable para transportar, jalar o desenchufar la herramienta eléctrica. Mantenga el cable

alejado del calor, el aceite, los bordes afilados o las piezas móviles. Los cables dañados o enredados aumentan el riesgo de que se produzcan descargas eléctricas.

Cuando utilice una herramienta eléctrica a la intemperie, use un cable de extensión adecuado para uso a la intemperie. La utilización de un cable adecuado para uso a la intemperie reduce el riesgo de descargas eléctricas.

Si es inevitable utilizar una herramienta eléctrica en un lugar húmedo, utilice una fuente de alimentación protegida por un interruptor de circuito accionado por corriente de pérdida a tierra (GFCI, por sus siglas en inglés). El uso de un GFCI reduce el riesgo de descargas eléctricas.

Seguridad personal

Manténgase alerta, fíjese en lo que está haciendo y use el sentido común cuando utilice una herramienta eléctrica. No utilice una herramienta eléctrica mientras esté cansado o bajo la influencia de drogas, alcohol o medicamentos. Es posible que un momento de descuido mientras se estén utilizando herramientas eléctricas cause lesiones corporales graves.

Utilice equipo de protección personal. Use siempre protección ocular. Los equipos protectores, tales como una máscara antipolvo, calzado de seguridad antideslizante, casco o protección de la audición, utilizados según lo requieran las condiciones, reducirán las lesiones corporales.

Evite los arranques accidentales. Asegúrese de que el interruptor esté en la posición de apagado antes de conectar la herramienta a una fuente de alimentación y/o a un paquete de batería, levantar la herramienta o transportarla. Si se transportan herramientas eléctricas con el dedo en el interruptor o si se suministra corriente a herramientas que tengan el interruptor en la posición de encendido se invita a que se produzcan accidentes.

Retire todas las llaves de ajuste o de tuerca antes de encender la herramienta eléctrica.

Es posible que una llave de tuerca o de ajuste que esté sujeta a una pieza rotativa de la herramienta cause lesiones corporales.

No intente alcanzar demasiado lejos.

Mantenga un apoyo de los pies y un equilibrio adecuados en todo momento. Esto permitirá un mejor control de la herramienta eléctrica en situaciones inesperadas.

Vístase adecuadamente. No se ponga ropa holgada ni joyas. Mantenga el pelo y la ropa alejados de las piezas móviles. La ropa holgada, las joyas o el pelo largo pueden quedar atrapados en las piezas móviles.

Si se proporcionan dispositivos para la conexión de instalaciones de extracción y recolección de polvo, asegúrese de que dichas instalaciones se conecten y utilicen correctamente. El uso de recolección de polvo puede reducir los peligros relacionados con el polvo.

No deje que la familiaridad obtenida con el uso frecuente de las herramientas le haga volverse complaciente e ignorar los principios de seguridad de las herramientas. Una acción descuidada puede causar lesiones graves en una fracción de segundo.

Uso y cuidado de la herramienta eléctrica

No fuerce la herramienta eléctrica. Utilice la herramienta eléctrica correcta para la aplicación que vaya a realizar. La herramienta correcta hará el trabajo mejor y con más seguridad a la capacidad nominal para la que fue diseñada.

No utilice la herramienta eléctrica si el interruptor no la enciende o apaga. Cualquier herramienta eléctrica que no se pueda controlar con el interruptor es peligrosa y debe ser reparada.

Desconecte el enchufe de la fuente de alimentación y/o retire el paquete de batería de la herramienta eléctrica, si es retirable, antes de hacer cualquier ajuste, cambiar accesorios o almacenar herramientas eléctricas. Dichas medidas preventivas de seguridad reducen el riesgo de arrancar accidentalmente la herramienta eléctrica.

Guarde las herramientas eléctricas que no esté usando fuera del alcance de los niños y no deje que las personas que no estén familiarizadas con la herramienta eléctrica o estas instrucciones utilicen la herramienta eléctrica. Las herramientas eléctricas son peligrosas en las manos de los usuarios no capacitados.

Realice mantenimiento de las herramientas eléctricas y los accesorios. Compruebe si hay desalineación o atoramiento de las piezas móviles, rotura de piezas y cualquier otra situación que pueda afectar al funcionamiento de la herramienta eléctrica. Si la herramienta está dañada, haga que la reparen antes de utilizarla. Muchos accidentes son causados por herramientas eléctricas mantenidas deficientemente.

Mantenga las herramientas de corte afiladas y limpias. Las herramientas de corte mantenidas adecuadamente, con bordes de corte afilados, tienen menos probabilidades de atorarse y son más fáciles de controlar.

Utilice la herramienta eléctrica, los accesorios y las brocas de la herramienta, etc., de acuerdo con estas instrucciones, teniendo en cuenta las condiciones de trabajo y el trabajo que se vaya a realizar. El uso de la herramienta eléctrica para operaciones distintas a las previstas podría causar situaciones inesperadas.

Mantenga los mangos y las superficies de agarre secos, limpios y libres de aceite y grasa. Los mangos resbalosos y las superficies de agarre resbalosas no permiten un manejo y un control seguros de la herramienta situaciones inesperadas.

Uso y cuidado de las baterías

Recargue las baterías solo con el cargador especificado por el fabricante. Es posible que un cargador que sea adecuado para un tipo de paquete de batería cree un riesgo de incendio cuando se utilice con otro paquete de batería.

Utilice las herramientas eléctricas solo con paquetes de batería designados específicamente. Es posible que el uso de cualquier otro paquete de batería cree un riesgo de lesiones e incendio.

Cuando el paquete de batería no se esté utilizando, manténgalo alejado de otros objetos metálicos, tales como clips sujetapapeles, monedas, llaves, clavos, tornillos u otros objetos metálicos pequeños, que puedan hacer una conexión de un terminal al otro. Si se cortocircuitan juntos los terminales de la batería es posible que se causen quemaduras o un incendio.

En condiciones abusivas es posible que se expulse líquido de la batería; evite el contacto. Si se produce contacto accidentalmente, enjuáguese con agua. Si el líquido entra en contacto con los ojos, obtenga además ayuda médica. Es posible que el líquido expulsado de la batería cause irritación o quemaduras.

No utilice un paquete de batería o una herramienta que esté dañada o modificada. Es posible que las baterías dañadas o modificadas exhiban un comportamiento imprevisible que cause incendio, explosión o riesgo de lesiones.

No exponga un paquete de batería o una herramienta a un fuego o a una temperatura excesiva. Es posible que la exposición a un fuego o a una temperatura superior a 265 °F cause una explosión.

Siga todas las instrucciones de carga y no cargue el paquete de batería ni la herramienta fuera del intervalo de temperatura especificado en las instrucciones. Es posible que la realización de la carga de manera inadecuada o a temperaturas que estén fuera del intervalo especificado dañe la batería y aumente el riesgo de incendio.

Servicio de ajustes y reparaciones

Haga que su herramienta eléctrica reciba servicio de ajustes y reparaciones por un técnico de reparaciones calificado que utilice únicamente piezas de repuesto idénticas. Esto garantizará que se mantenga la seguridad de la herramienta eléctrica.

No haga nunca servicio de ajustes y reparaciones de paquetes de batería dañados. El servicio de ajustes y reparaciones de paquetes de batería deberá ser realizado solo por el fabricante o por proveedores de servicio autorizados.

ADVERTENCIAS DE SEGURIDAD PARA EL ATORNILLADOR DE IMPACTO









Agarre la herramienta eléctrica por las superficies de agarre con aislamiento cuando realice una operación en la que el sujetador pueda entrar en contacto con cables ocultos. Es posible que los sujetadores que entren en contacto con un cable con corriente hagan que las partes metálicas de la herramienta eléctrica que estén al descubierto tengan corriente, lo cual podría causar una descarga eléctrica al operador.





⚠ ADVERTENCIA

- Cierta polvos generados por las operaciones de lijado, aserrado, amolado y taladrado con herramientas eléctricas, así como por otras actividades de construcción, contienen sustancias químicas que el estado de California sabe que causan cáncer, defectos de nacimiento u otros daños a la reproducción. Algunos ejemplos de estas sustancias químicas son:
 - Plomo procedente de pinturas a base de plomo.
 - Sílice cristalina procedente de ladrillos y cemento y otros productos de mampostería.
- Arsénico y cromo procedentes de madera de construcción tratada químicamente.
- El riesgo para usted por causa de estas exposiciones varía, dependiendo de qué tan a menudo realice este tipo de trabajo. Para reducir su exposición a estas sustancias químicas:
 - Trabaje en un área bien ventilada.
 - Trabaje con equipo de seguridad aprobado, tal como máscaras antipolvo que estén diseñadas especialmente para impedir mediante filtración el paso de partículas microscópicas.
 - Evite el contacto prolongado con el polvo procedente de las operaciones de lijado, aserrado, amolado y taladrado con herramientas eléctricas, así como de otras actividades de construcción. Use ropa protectora y lave las áreas expuestas del cuerpo con agua y jabón. Si deja que le entre polvo en la boca o en los ojos, o que le quede polvo en la piel, es posible que se promueva la absorción de sustancias químicas perjudiciales.

SÍMBOLOS

IMPORTANTE: Puede que algunos de los siguientes símbolos aparezcan en la herramienta. Estúdielos y conozca su significado. La interpretación correcta de estos símbolos le permitirá utilizar la herramienta de manera eficaz y segura.

Símbolo	Nombre	Designación/Explicación
V	Voltios	Voltaje
A	Amperios	Corriente
Hz	Hertz	Frecuencia (ciclos por segundo)
W	Vatios	Alimentación
kg	Kilogramos	Peso
min	Minutos	Hora
s	Segundos	Hora
Wh	Vatio por horas	Capacidad de la batería
Ah	Amperios por hora	Capacidad de la batería
∅	Diámetro	Tamaño de las brocas para taladro, piedras de amolar, etc.
n_0	Velocidad sin carga	Velocidad de rotación sin carga
n	Rango de velocidad	Velocidad máxima alcanzable
.../min	Revoluciones o reciprocaciones por minuto (rpm)	Revoluciones, pasadas, velocidad de superficie, órbitas, etc. por minuto
0	Posición de apagado	Velocidad cero, torsión cero...
1,2,3,... I,II,III,	Ajustes del selector	Ajustes de velocidad, par o posición. Un número mayor significa mayor velocidad
	Selector de regulación continua con apagado	La velocidad aumenta desde el ajuste 0
	Flecha	Acción en la dirección de la flecha
	Corriente alterna (CA)	Tipo o característica de corriente
	Corriente continua (CC)	Tipo o característica de corriente
	Corriente alterna o continua (CA/CC)	Tipo o característica de corriente
	Herramienta de Clase II	Designa las herramientas de construcción con doble aislamiento
	Conexión a tierra de protección	Terminal de conexión a tierra
	Sello de iones de litio de RBRC	Designa el programa de reciclaje de baterías de iones de litio

Símbolo	Nombre	Designación/Explicación
	Lea las instrucciones	Indica al usuario que lea el manual
	Símbolo de use de lentes de protección	Alerta al usuario para que use protección ocular
	Utilice siempre la herramienta con las dos manos	Alerta al usuario para que utilice siempre la herramienta con las dos manos
	No utilice el protector para operaciones de tronzado	Alerta al usuario para que no utilice el protector para operaciones de tronzado

SÍMBOLOS (INFORMACIÓN DE CERTIFICACIÓN)

Símbolo	Designación/Explicación
	Este símbolo designa que esta herramienta está incluida en la lista de Underwriters Laboratories.
	Este símbolo designa que esta herramienta es reconocida por Underwriters Laboratories.
	Este símbolo designa que esta herramienta está incluida en la lista de Underwriters Laboratories, conforme a las normas de Estados Unidos y Canadá.
	Este símbolo designa que esta herramienta está incluida en la lista de Canadian Standards Association.
	Este símbolo designa que esta herramienta está incluida en la lista de Canadian Standards Association, conforme a las normas de Estados Unidos y Canadá.
	Este símbolo designa que esta herramienta está incluida en la lista de Intertek Testing Services, conforme a las normas de Estados Unidos y Canadá.

DESCRIPCIONES FUNCIONALES Y ESPECIFICACIONES

Atornillador de impacto

Fig. 1



Núm. de modelo	FX1351
Tensión nominal	24 V c.c.
Tamaño del portaherramienta	Hexagonal de 1/4 de pulgada (6 mm)
Velocidad sin carga	0-3400 RPM
Fuerza de torsión máxima	1800 pulgadas-lb
Impactos por minuto	4000 /min (IPM)
Temperatura de funcionamiento recomendada	-4 – 104° F / -20 – 40°C
Temperatura de almacenamiento recomendada	< 122° F / < 50° C

ENSAMBLAJE

⚠ ADVERTENCIA Retire el paquete de batería de la herramienta antes de hacer cualquier ensamblaje o ajuste, o cambiar accesorios. Dichas medidas preventivas de seguridad reducen el riesgo de arrancar accidentalmente la herramienta.

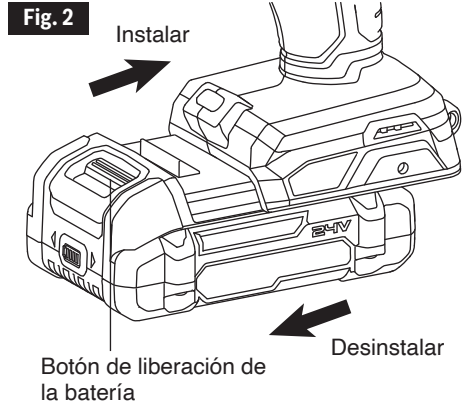
PARA INSTALAR/DESINSTALAR EL PAQUETE DE BATERÍA (FIG. 2)

Bloquee el interruptor gatillo de velocidad variable en la posición de "APAGADO" de la herramienta colocando el selector del sentido de rotación (avance/bloqueo central/inversión) en la posición central antes de instalar o desinstalar el paquete de batería.

Para instalar el paquete de batería:

Alinee la costilla en relieve ubicada en el paquete de batería con las ranuras ubicadas en la herramienta y luego deslice el paquete de batería sobre la herramienta.

AVISO: Cuando coloque el paquete de batería sobre la herramienta, asegúrese de que la costilla en relieve ubicada en el paquete de batería se alinee con la ranura ubicada dentro de la herramienta y que los pestillos se acoplen a presión en la posición correcta. Una instalación incorrecta del paquete de batería puede causar daños a los componentes internos.



Para desinstalar el paquete de batería:

Presione el botón de liberación de la batería ubicado en la parte delantera del paquete de batería para liberar dicho paquete. Jale hacia fuera el paquete de batería y retírelo de la herramienta.

CLIP DE CINTURÓN RETIRABLE (FIG. 3)

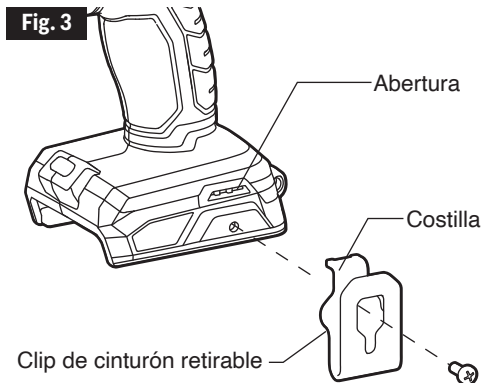
Su herramienta está equipada con un clip de cinturón retirable, que se puede posicionar en el lado de la herramienta para permitir un transporte conveniente.

Instale el clip de cinturón en la herramienta:

- Retire el paquete de batería de la herramienta.
- Alinee la costilla y el agujero del clip de cinturón con la abertura y el agujero roscado ubicados en la base de la herramienta, respectivamente.
- Inserte el tornillo y apriételo firmemente con un destornillador.

Retire el clip de cinturón de la herramienta :

- Retire el paquete de batería de la herramienta.
- Utilice un destornillador para aflojar el tornillo que sujeta el clip de cinturón a la herramienta.
- Retire el tornillo y el clip de cinturón.



REMOVABLE BIT CLIP (FIG.4)

Su herramienta también está equipada con un clip para brocas retirable que se puede posicionar en el lado de la herramienta para almacenar brocas.

Instale el clip para brocas en la herramienta:

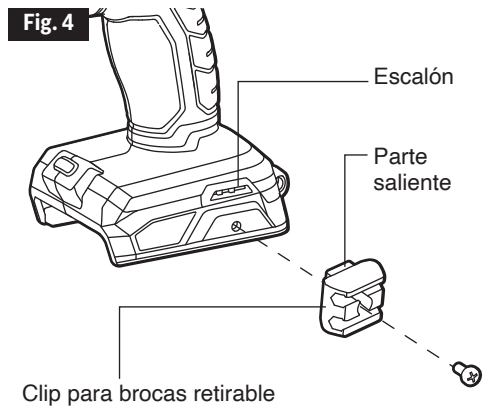
- Retire el paquete de batería de la herramienta.
- Alinee el agujero del clip para brocas con el agujero roscado ubicado en la base de la herramienta.

AVISO: Asegúrese de que la parte que sobresale del clip para brocas esté al ras contra el escalón ubicado en la base de la herramienta para que se mantenga firme.

- Inserte el tornillo y apriételo firmemente con un destornillador.

Retire el clip para brocas de la herramienta:

- Retire el paquete de batería de la herramienta.
- Utilice un destornillador para aflojar el tornillo que sujeta el clip para brocas al atornillador de impacto.
- Retire el tornillo y el clip para brocas.



INSTALE Y RETIRE LAS BROCAS (FIG. 5)

Su herramienta está equipada con un mandril de cambio rápido, el cual facilita enormemente la instalación y la remoción de las brocas.

Bloquee el interruptor gatillo de velocidad variable en la posición de APAGADO de la herramienta colocando el selector del sentido de rotación en la posición central.

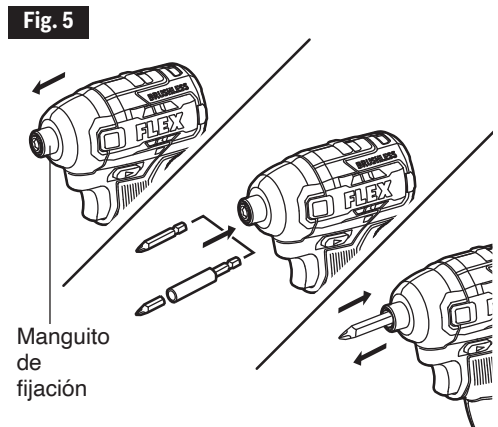
Para instalar la broca:

Jale hacia delante el manguito de fijación (alejándolo de la herramienta), inserte la broca tanto como se pueda en el mandril y libere el manguito de fijación para fijar la broca.

Para desinstalar la broca:

Jale hacia delante el manguito de fijación (alejándolo de la herramienta). Jale la broca para sacarla del mandril y suelte el manguito.

AVISO: Utilice únicamente brocas con ranuras de sujeción fuerte; otras brocas se pueden utilizar con un portabroca universal que tenga una ranura de sujeción fuerte (portabroca no incluido). No utilice una broca que tenga el vástago dañado.



⚠ ADVERTENCIA Es posible que la broca esté caliente después de un uso prolongado. Use guantes protectores cuando retire la broca de la herramienta o deje primero que la broca se enfríe.

AJUSTES

SELECTOR DEL SENTIDO DE ROTACIÓN (AVANCE/BLOQUEO CENTRAL/INVERSIÓN)

⚠ ADVERTENCIA Después de utilizar la herramienta, bloquee el selector del sentido de rotación en la posición de “APAGADO” (bloqueo central) para ayudar a prevenir los arranques accidentales y posibles lesiones.

Su herramienta está equipada con un selector del sentido de rotación, ubicado encima del interruptor gatillo de velocidad variable. Este selector se utiliza para cambiar el sentido de rotación de la broca y para bloquear el gatillo de velocidad variable en la posición de “APAGADO” (bloqueo central).

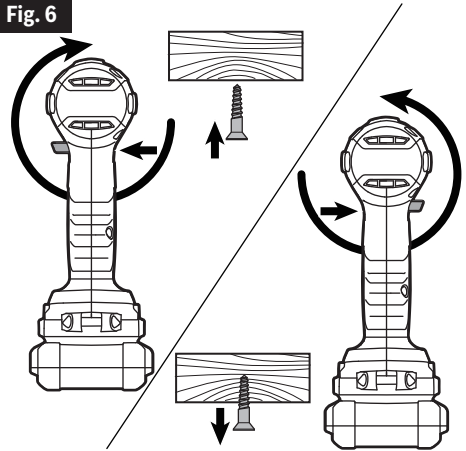
- Posicione el selector del sentido de rotación completamente hacia la izquierda de la herramienta para enroscar tornillos o apretar pernos/tuercas (Fig. 6).
- Posicione el selector del sentido de rotación completamente hacia la derecha de la herramienta para retirar tornillos o aflojar pernos/tuercas (Fig. 6).
- Posicione el selector del sentido de rotación en la posición de “APAGADO” (bloqueo central) para ayudar a reducir la posibilidad de arranques accidentales cuando la herramienta no se esté utilizando.

AVISO: Para prevenir daños a los engranajes, deje siempre que el atornillador se detenga por completo antes de cambiar el sentido de rotación.

AVISO: El atornillador no funcionará a menos que el selector del sentido de rotación esté completamente acoplado hacia la izquierda o hacia la derecha.

⚠ ADVERTENCIA Las herramientas a batería siempre están en condiciones de funcionamiento. Por lo tanto, el selector del sentido de rotación (avance/ bloqueo central/inversión) deberá estar siempre bloqueado en la posición central cuando la herramienta no se esté utilizando o cuando usted la transporte a su lado.

Fig. 6

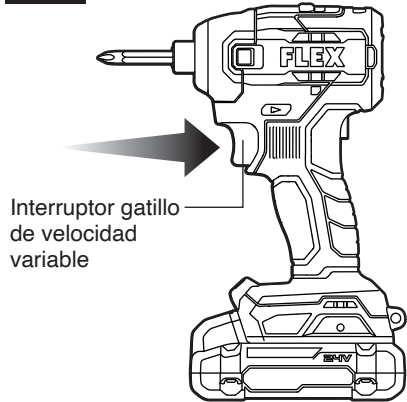


INTERRUPTOR GATILLO DE VELOCIDAD VARIABLE (FIG. 7)

Su herramienta está equipada con un interruptor gatillo de velocidad variable. La herramienta se puede ENCENDER o APAGAR presionando o soltando el interruptor gatillo de velocidad variable.

El interruptor gatillo de velocidad variable produce la velocidad más alta con una presión mayor sobre el gatillo y una velocidad más baja con una presión menor sobre el gatillo.

Fig. 7



Interruptor gatillo de velocidad variable

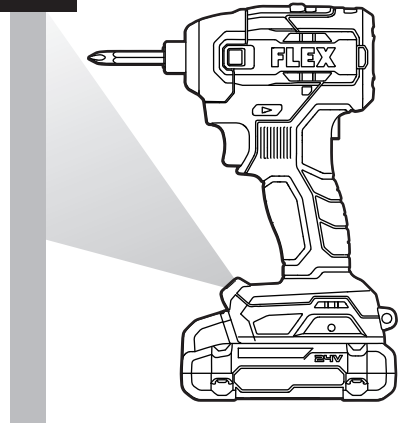
LUZ LED (FIG. 8)

Su herramienta está equipada con una luz de trabajo LED. Esta luz proporciona iluminación adicional sobre la superficie de la pieza de trabajo para operar en áreas en las que haya poca iluminación.

La luz de trabajo LED se encenderá automáticamente con una ligera compresión del interruptor gatillo antes de que la herramienta comience a funcionar. Se apagará aproximadamente 10 segundos después de soltar el interruptor gatillo.

- La luz LED parpadeará rápidamente cuando la herramienta y/o el paquete de batería se sobrecarguen o estén demasiado calientes, y los sensores internos apagarán la herramienta. Deje descansar la herramienta unos instantes o coloque la herramienta y el paquete de batería por separado bajo una corriente de aire para que se enfrien.
- La luz LED parpadeará más lentamente para indicar que la carga del paquete de batería está a una capacidad baja. Recargue el paquete de batería.
- Si la luz LED no se ilumina cuando usted arranque la herramienta o si se apaga repentinamente mientras la esté utilizando, sírvase contactar a servicio al cliente o a un centro de servicio autorizado para obtener asistencia.

Fig. 8



INSTRUCCIONES DE UTILIZACIÓN

⚠ ADVERTENCIA Para reducir el riesgo de incendio, lesiones corporales y daños al producto debido a un cortocircuito, no sumerja nunca su herramienta, el paquete de batería o el cargador en un líquido ni deje que un líquido fluya en su interior. Los líquidos corrosivos o conductores, tales como agua de mar, ciertas sustancias químicas industriales y el blanqueador o los productos que contienen blanqueador, etc., pueden causar un cortocircuito.

⚠ ADVERTENCIA Si cualquiera de las piezas está dañada o falta, no utilice este producto hasta que las piezas hayan sido reemplazadas. La utilización de este producto con piezas dañadas o si le faltan piezas podría causar lesiones corporales graves.

Este atornillador de impacto se debe utilizar solo con los paquetes de batería y los cargadores que se indican a continuación:

Paquete de batería				Cargador	
2.5Ah	5Ah	8Ah	12Ah		
FLEX FX0111	FLEX FX0121	FLEX FX0221	FLEX FX0231	FLEX FX0411	FLEX FX0421

AVISO: Sírvase consultar los manuales del paquete de batería y del cargador para obtener información detallada de utilización.

⚠ ADVERTENCIA No intente modificar esta herramienta ni crear accesorios no recomendados para utilizarse con esta herramienta. Cualquiera de dichas alteraciones o modificaciones constituye un uso incorrecto y podría provocar una situación peligrosa que cause posibles lesiones graves.

⚠ ADVERTENCIA Para prevenir arranques accidentales que podrían causar lesiones corporales graves, retire siempre el paquete de batería de la herramienta cuando ensamble piezas.

APRIETE Y AFLOJE LOS TORNILLOS, LAS TUERCAS Y LOS PERNOS (FIG. 9)

El control de velocidad variable se debe utilizar con precaución para apretar tuercas y pernos utilizando aditamentos de conjuntos de bocallaves. La mejor técnica es comenzar lentamente, aumentar la velocidad a medida que la tuerca o el perno se apriete y luego ajustar firmemente la tuerca o el perno reduciendo la velocidad de la herramienta hasta que se detenga. Si no se sigue este procedimiento, la herramienta tendrá tendencia a experimentar torsión o torcerse en la mano del operador cuando la tuerca o el perno se asiente.

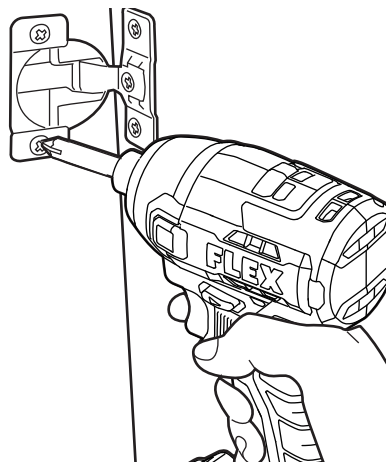
- a. Instale una broca adecuada.
- b. Aplique justo suficiente presión para mantener la broca acoplada en el tornillo o la tuerca.
- c. Aplique inicialmente una presión mínima al interruptor gatillo de velocidad variable. Aumente la velocidad solo cuando se pueda mantener un control completo.

AVISO:

- a. Utilice siempre el tipo y tamaño correctos de broca para la aplicación que vaya a realizar.
- b. Cuando apriete un tornillo en/cerca del extremo de corte transversal o de un borde de madera, pretaladre un agujero para evitar agrietar la madera.
- c. Cuando apriete tornillos en madera dura, se deberá pretaladrar un agujero piloto.

⚠ ADVERTENCIA No apriete excesivamente, ya que la fuerza del atornillador de impacto puede romper el sujetador. Mantenga el atornillador de impacto en ángulo recto con el sujetador para evitar dañar la cabeza del sujetador.

Fig. 9



MANTENIMIENTO

⚠ ADVERTENCIA Para evitar lesiones corporales graves, retire siempre el paquete de batería de la herramienta cuando realice limpieza o efectúe cualquier mantenimiento.

SERVICIO DE AJUSTES Y REPARACIONES

⚠ ADVERTENCIA Es posible que el mantenimiento preventivo realizado por personal no autorizado dé lugar a una colocación incorrecta de los cables y componentes internos, lo cual podría causar un peligro grave. Recomendamos que todo el servicio de ajustes y reparaciones de la herramienta sea realizado por un Centro de Servicio de Fábrica FLEX o una Estación de Servicio FLEX Autorizada.

MANTENIMIENTO GENERAL

⚠ ADVERTENCIA Cuando haga reparaciones, utilice únicamente piezas de repuesto idénticas. La utilización de cualquier otra pieza podría crear un peligro o causar daños al producto. Inspeccione periódicamente todo el producto para determinar si hay piezas dañadas, si faltan piezas o si hay piezas flojas, tales como tornillos, tuercas, pernos, tapas, etc. Apriete

firmente todos los sujetadores y todas las tapas, y no utilice este producto hasta que todas las piezas que faltan o estén dañadas hayan sido reemplazadas. Sírvase contactar a servicio al cliente o a un centro de servicio autorizado para obtener asistencia.

LIMPIEZA

⚠ ADVERTENCIA La herramienta se puede limpiar con la máxima eficacia con aire comprimido seco. Use siempre anteojos de seguridad cuando limpie herramientas con aire comprimido. Las aberturas de ventilación y las palancas de interruptor se deben mantener limpias y libres de materia extraña. No intente limpiar la herramienta insertando objetos puntiagudos a través de las aberturas.

⚠ ADVERTENCIA Ciertos agentes de limpieza y solventes dañan las piezas de plástico. Algunos de estos son: gasolina, tetracloruro de carbono, solventes de limpieza clorados, amoníaco y detergentes domésticos que contienen amoníaco.

ALMACENAMIENTO

Almacene la herramienta en un lugar interior que sea inaccesible para los niños. Manténgala alejada de los agentes corrosivos.

ACCESORIOS

⚠ ADVERTENCIA Es posible que el uso de cualquier otro accesorio no especificado en este manual cree un peligro.

Clip de cinturón retirable

Portabroca / Clip para brocas retirable

GARANTÍA LIMITADA DE 5 AÑOS FLEX

Chervon North America, Inc. (el "Vendedor") garantiza, únicamente al comprador original, que todos los productos FLEX de 24 V estarán libres de defectos de material o de fabricación durante un período de cinco años a partir de la fecha de compra cuando el comprador original registre el producto dentro del plazo de 30 días después de la fecha de compra minorista original y retenga el recibo como comprobante de compra. EL PERÍODO DE GARANTÍA LIMITADA DE 5 AÑOS ESTÁ CONDICIONADO AL REGISTRO DEL PRODUCTO DENTRO DEL PLAZO DE 30 DÍAS DESPUÉS DE REALIZAR LA COMPRA Y SOLO ES APLICABLE A LAS HERRAMIENTAS, BATERÍAS Y CARGADORES FLEX DE 24 V. Si el comprador original no registra su producto dentro del plazo de 30 días, la garantía limitada que antecede tendrá aplicación durante un período de tres años. El registro del producto se puede completar en línea en www.registermyflex.com.

Herramientas de 24 V: Garantía Limitada de 5 Años con registro

Baterías y cargadores de 24 V: Garantía Limitada de 5 Años con registro

Productos FLEX Legacy alámbricos, de 12 V y de 20 V: Garantía Limitada de 1 Año. No hay beneficio de registro

Accesorios y aditamentos: No hay garantía

LA ÚNICA OBLIGACIÓN DEL VENDEDOR Y EL REMEDIO EXCLUSIVO PARA USTED bajo esta Garantía Limitada de 5 Años y, en la medida en que la ley lo permita, cualquier garantía o condición implícita por ley, será la reparación o el reemplazo de las piezas, sin cargo alguno, que presenten defectos de material o de fabricación y que no hayan sido utilizadas incorrectamente, manejadas descuidadamente o reparadas por personas que no sean un Distribuidor de Servicio Autorizado FLEX. Esta garantía no cubre la falla de piezas debida al desgaste por el uso normal. Para presentar un reclamo bajo esta garantía, devuelva el producto completo, con el transporte prepago, a cualquier Distribuidor de Servicio Autorizado FLEX. Para localizar los Distribuidores de Servicio FLEX Autorizados, sírvase visitar www.registermyflex.com o llamar al 1-833-FLEX-496 (1-833-353-9496).

Esta Garantía Limitada de 5 Años no se aplica a los accesorios, los aditamentos ni las piezas.

Cualquier garantía implícita aplicable a un producto estará limitada en duración a la misma duración que las garantías expresas aplicables a dicho producto, tal y como se establece en el primer párrafo que antecede. Algunos estados de los EE.UU. y algunas provincias canadienses no permiten limitaciones en cuanto a la duración de una garantía implícita, por lo que es posible que la limitación que antecede no tenga aplicación.

FLEX no es responsable por daños directos, indirectos, incidentales o emergentes. Algunos estados de los EE.UU. y algunas provincias canadienses no permiten limitaciones en cuanto a la duración de una garantía implícita y/o no permiten la exclusión o limitación de los daños incidentales o emergentes, por lo que es posible que las limitaciones o exclusiones que anteceden no tengan aplicación. Esta garantía limitada le confiere a usted derechos legales específicos y es posible que usted tenga también otros derechos que varían según el estado en los EE.UU. y según la provincia en Canadá.

Esta garantía limitada se aplica solo a los productos vendidos dentro de los Estados Unidos de América, Canadá y la mancomunidad de Puerto Rico. Para obtener cobertura de garantía en otros países, contacte a su distribuidor local de FLEX.

© Chervon North America, 1203 E. Warrenville Rd., Naperville, IL 60563

www.flexpowertools.com

www.registermyflex.com

1-833-FLEX-496 (1-833-353-9496)

Revisado 12/2020

