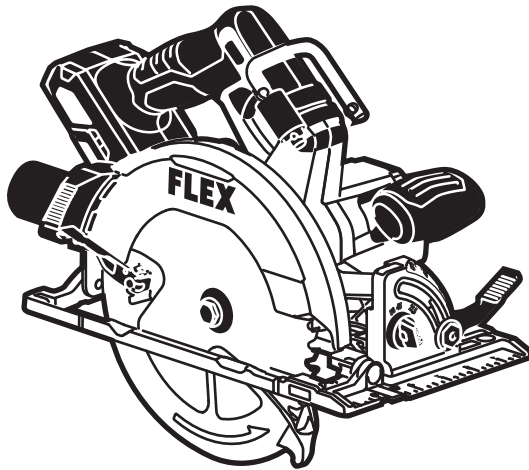


FLEX

**OPERATOR'S MANUAL
MANUAL DEL OPERADOR
MANUEL DE L'UTILISATEUR**



Model:
Modelo:
Modèle:

FX2141

**24V BRUSHLESS CIRCULAR SAW
SCIE CIRCULAIRE SANS BALAI DE 24 V
SIERRA CIRCULAR SIN ESCOBILLAS DE 24 V**

Contact Us /
Nous contacter /
Contáctenos



**833-FLEX-496
(833-3539-496)**



www.Registermyflex.com



**For English
Version**

See page 2

**Version
française**

Voir page 24





**Versión en
español**

Ver la página 49

SAFETY SYMBOLS

The purpose of safety symbols is to attract your attention to possible dangers. The safety symbols and the explanations with them deserve your careful attention and understanding. The symbol warnings do not, by themselves, eliminate any danger. The instructions and warnings they give are no substitutes for proper accident prevention measures.

⚠ WARNING Be sure to read and understand all safety instructions in this Owner's Manual, including all safety alert symbols such as “**DANGER**,” “**WARNING**,” and “**CAUTION**” before using this tool. Failure to follow all instructions listed below may result in electric shock, fire, and/or serious personal injury.

The definitions below describe the level of severity for each signal word. Please read the manual and pay attention to these symbols.	
	This is the safety alert symbol. It is used to alert you to potential personal injury hazards. Obey all safety messages that follow this symbol to avoid possible injury or death.
	DANGER indicates a hazardous situation which, if not avoided, will result in death or serious injury.
	WARNING indicates a hazardous situation which, if not avoided, could result in death or serious injury.
	CAUTION, used with the safety alert symbol, indicates a hazardous situation which, if not avoided, will result in minor or moderate injury.

Damage Prevention and Information Messages

These inform the user of important information and/or instructions that could lead to equipment or other property damage if they are not followed. Each message is preceded by the word “NOTICE”, as in the example below:

NOTICE: Equipment and/or property damage may result if these instructions are not followed.



⚠ WARNING The operation of any power tools can result in foreign objects being thrown into your eyes, which can result in severe eye damage. Before beginning power tool operation, always wear safety goggles or safety glasses with side shields and a full face shield when needed. We recommend a Wide Vision Safety Mask for use over eyeglasses or standard safety glasses with side shields. Always use eye protection which is marked to comply with ANSI Z87.1.

GENERAL POWER TOOL SAFETY WARNINGS



WARNING Read all safety warnings, instructions, illustrations and specifications provided with this power tool. Failure to follow all instructions listed below may result in electric shock, fire and/or serious injury.

SAVE ALL WARNINGS AND INSTRUCTIONS FOR FUTURE REFERENCE.

The term “power tool” in the warnings refers to your mains-operated (corded) power tool or battery-operated (cordless) power tool.

Work area safety

Keep work area clean and well lit. Cluttered or dark areas invite accidents.

Do not operate power tools in explosive atmospheres, such as in the presence of flammable liquids, gases or dust. Power tools create sparks which may ignite the dust or fumes.

Keep children and bystanders away while operating a power tool. Distractions can cause you to lose control.

Electrical safety

Power tool plugs must match the outlet. Never modify the plug in any way. Do not use any adapter plugs with earthed (grounded) power tools. Unmodified plugs and matching outlets will reduce risk of electric shock.

Avoid body contact with earthed or grounded surfaces, such as pipes, radiators, ranges and refrigerators. There is an increased risk of electric shock if your body is earthed or grounded.

Do not expose power tools to rain or wet conditions. Water entering a power tool will increase the risk of electric shock.

Do not abuse the cord. Never use the cord for carrying, pulling or unplugging the power tool. Keep cord away from heat, oil, sharp edges or moving parts. Damaged or entangled cords increase the risk of electric shock.

When operating a power tool outdoors, use an extension cord suitable for outdoor use. Use of a cord suitable for outdoor use reduces the risk of electric shock.

If operating a power tool in a damp location is unavoidable, use a ground fault circuit interrupter (GFCI) protected supply. Use of a GFCI reduces the risk of electric shock.

Personal safety

Stay alert, watch what you are doing and use common sense when operating a power tool. Do not use a power tool while you are tired or under the influence of drugs, alcohol or medication. A moment of inattention while operating power tools may result in serious personal injury.

Use personal protective equipment. Always wear eye protection. Protective equipment such as a dust mask, non-skid safety shoes, hard hat or hearing protection used for appropriate conditions will reduce personal injuries.

Prevent unintentional starting. Ensure the switch is in the off-position before connecting to power source and/or battery pack, picking up or carrying the tool. Carrying power tools with your finger on the switch or energizing power tools that have the switch on invites accidents.

Remove any adjusting key or wrench before turning the power tool on. A wrench or a key left attached to a rotating part of the power tool may result in personal injury.

Do not overreach. Keep proper footing and balance at all times. This enables better control of the power tool in unexpected situations.

Dress properly. Do not wear loose clothing or jewelry. Keep your hair and clothing away from moving parts. Loose clothes, jewelry or long hair can be caught in moving parts.

If devices are provided for the connection of dust extraction and collection facilities, ensure these are connected and properly used. Use of dust collection can reduce dust-related hazards.

Do not let familiarity gained from frequent use of tools allow you to become complacent and ignore tool safety principles. A careless action can cause severe injury within a fraction of a second.

Power tool use and care

Do not force the power tool. Use the correct power tool for your application. The correct power tool will do the job better and safer at the rate for which it was designed.

Do not use the power tool if the switch does not turn it on and off. Any power tool that cannot be controlled with the switch is dangerous and must be repaired.

Disconnect the plug from the power source and/or remove the battery pack, if detachable, from the power tool before making any adjustments, changing accessories, or storing power tools. Such preventive safety measures reduce the risk of starting the power tool accidentally.

Store idle power tools out of the reach of children and do not allow persons unfamiliar with the power tool or these instructions to operate the power tool. Power tools are dangerous in the hands of untrained users.

Maintain power tools and accessories. Check for misalignment or binding of moving parts, breakage of parts and any other condition that may affect the power tool's operation. If damaged, have the power tool repaired before use. Many accidents are caused by poorly maintained power tools.

Keep cutting tools sharp and clean. Properly maintained cutting tools with sharp cutting edges are less likely to bind and are easier to control.

Use the power tool, accessories and tool bits etc. in accordance with these instructions, taking into account the working conditions and the work to be performed.

Use of the power tool for operations different from those intended could result in a hazardous situation.

Keep handles and grasping surfaces dry, clean and free from oil and grease. Slippery handles and grasping surfaces do not allow for safe handling and control of the tool in unexpected situations.

Battery tool use and care

Recharge only with the charger specified by the manufacturer. A charger that is suitable for one type of battery pack may create a risk of fire when used with another battery pack.

Use power tools only with specifically designated battery packs. Use of any other battery packs may create a risk of injury and fire.

When battery pack is not in use, keep it away from other metal objects, like paper clips, coins, keys, nails, screws or other small metal objects, that can make a connection from one terminal to another. Shorting the battery terminals together may cause burns or a fire.

Under abusive conditions, liquid may be ejected from the battery; avoid contact. If contact accidentally occurs, flush with water. If liquid contacts eyes, additionally seek medical help. Liquid ejected from the battery may cause irritation or burns.

Do not use a battery pack or tool that is damaged or modified. Damaged or modified batteries may exhibit unpredictable behavior resulting in fire, explosion or risk of injury.

Do not expose a battery pack or tool to fire or excessive temperature. Exposure to fire or temperature above 265 °F may cause explosion.

Follow all charging instructions and do not charge the battery pack or tool outside the temperature range specified in the instructions. Charging improperly or at temperatures outside the specified range may damage the battery and increase the risk of fire.

Service

Have your power tool serviced by a qualified repair person using only identical replacement parts. This will ensure that the safety of the power tool is maintained.

Never service damaged battery packs. Service of battery packs should only be performed by the manufacturer or authorized service providers.

SAFETY INSTRUCTIONS FOR CIRCULAR SAWS

Cutting procedures



Keep hands away from cutting area and the blade.

Keep your second hand on auxiliary handle, or motor housing. If both hands are holding the saw, they cannot be cut by the blade.

Do not reach underneath the workpiece. The guard cannot protect you from the blade below the workpiece.

Adjust the cutting depth to the thickness of the workpiece. Less than a full tooth of the blade teeth should be visible below the workpiece.

Never hold the workpiece in your hands or across your leg while cutting. Secure the workpiece to a stable platform. It is important to support the work properly to minimize body exposure, blade binding, or loss of control.

Hold the power tool by insulated gripping surfaces, when performing an operation where the cutting tool may contact hidden wiring. Contact with a "live" wire will also make exposed metal parts of the power tool "live" and could give the operator an electric shock.

When ripping, always use a rip fence or straight edge guide. This improves the accuracy of cut and reduces the chance of blade binding.

Always use blades with correct size and shape (diamond versus round) of arbor holes. Blades that do not match the mounting hardware of the saw will run off-center, causing loss of control.

Never use damaged or incorrect blade washers or bolt. The blade washers and bolt were specially designed for your saw, for optimum performance and safety of operation.

Kickback causes and related warnings

Kickback is a sudden reaction to a pinched, jammed or misaligned saw blade, causing an uncontrolled saw to lift up and out of the workpiece toward the operator;

When the blade is pinched or jammed tightly by the kerf closing down, the blade stalls and the motor reaction drives the unit rapidly back toward the operator;

If the blade becomes twisted or misaligned in the cut, the teeth at the back edge of the blade

can dig into the top surface of the wood causing the blade to climb out of the kerf and jump back toward the operator.

Kickback is the result of saw misuse and/or incorrect operating procedures or conditions and can be avoided by taking proper precautions as given below.

Maintain a firm grip with both hands on the saw and position your arms to resist kickback forces. Position your body to either side of the blade, but not in line with the blade. Kickback could cause the saw to jump backwards, but kickback forces can be controlled by the operator, if proper precautions are taken.

When blade is binding, or when interrupting a cut for any reason, release the trigger and hold the saw motionless in the material until the blade comes to a complete stop. Never attempt to remove the saw from the work or pull the saw backward while the blade is in motion or kickback may occur. Investigate and take corrective actions to eliminate the cause of blade binding.

When restarting a saw in the workpiece, center the saw blade in the kerf so that the saw teeth are not engaged into the material. If a saw blade binds, it may walk up or kickback from the workpiece as the saw is restarted.

Support large panels to minimize the risk of blade pinching and kickback. Large panels tend to sag under their own weight. Supports must be placed under the panel on both sides, near the line of cut and near the edge of the panel.

Do not use dull or damaged blades.

Unsharpened or improperly set blades produce narrow kerf causing excessive friction, blade binding and kickback.

Blade depth and bevel adjusting locking levers must be tight and secure before making the cut. If blade adjustment shifts while cutting, it may cause binding and kickback.

Use extra caution when sawing into existing walls or other blind areas. The protruding blade may cut objects that can cause kickback.

Lower guard function

Check the lower guard for proper closing before each use. Do not operate the saw if the lower guard does not move freely and close instantly. Never clamp or tie the lower guard into the open position. If the saw is accidentally dropped, the lower guard may be bent. Raise the lower guard with the retracting handle and make sure it moves freely and does not touch the blade or any other part, in all angles and depths of cut.

Check the operation of the lower guard spring. If the guard and the spring are not operating properly, they must be serviced before use. Lower guard may operate sluggishly due to damaged parts, gummy deposits, or a build-up of debris.

The lower guard may be retracted manually only for special cuts such as “plunge cuts” and “compound cuts”. Raise the lower guard by the retracting handle and as soon as the blade enters the material, the lower guard must be released. For all other sawing, the lower guard should operate automatically.

Always observe that the lower guard is covering the blade before placing the saw down on bench or floor. An unprotected, coasting blade will cause the saw to walk backwards, cutting whatever is in its path. Be aware of the time it takes for the blade to stop after switch is released.

Use clamps or other practical way to secure and support the workpiece to a stable platform. Holding the work by hand or against

your body is unstable and may lead to loss of control.

Inspect the condition and quality of the wood and remove all nails from lumber before cutting. Wet lumber, green lumber or pressure treated lumber require special attention during cutting operation to prevent kickback.

Hold the saw firmly to prevent loss of control. Figures in this manual illustrate typical hand support of the saw.

This circular saw should not be mounted to a table and converted to a table saw. Circular saws are not designed or intended to be used as table saws.

Never place your hand behind the saw blade. Kickback could cause the saw to jump backwards over your hand.

Do not use the saw with an excessive depth of cut setting. Too much blade exposure increases the likelihood of the blade twisting in the kerf and increases the surface area of the blade available for pinching that leads to kickback

Do not run the tool while carrying it at your side. Lower guard may be opened by a contact with your clothing. Accidental contact with the spinning saw blade could result in serious personal injury.

Periodically remove the blade, clean the upper, lower guards with kerosene and wipe it dry, or blow it clean with compressed air. Preventive maintenance and properly operating guard will reduce the probability of an accident.

ADDITIONAL SAFETY WARNINGS

WARNING










- Some dust created by power sanding, sawing, grinding, drilling and other construction activities contains chemicals known to the State of California to cause cancer, birth defects or other reproductive harm. Some examples of these chemicals are:
 - Lead from lead-based paints.
 - Crystalline silica from bricks, cement, and other masonry products.
 - Arsenic and chromium from chemically-treated lumber.
- Your risk from these exposures varies,




depending upon how often you do this type of work. To reduce your exposure to these chemicals:

- Work in a well-ventilated area.
- Work with approved safety equipment, such as dust masks that are specially designed to filter out microscopic particles.
- Avoid prolonged contact with dust from power sanding, sawing, grinding, drilling, and other construction activities. Wear protective clothing and wash exposed areas with soap and water. Allowing dust to get into your mouth or eyes or to lie on the skin may promote absorption of harmful chemicals.







SYMBOLS

IMPORTANT: Some of the following symbols may be used on your tool. Please study them and learn their meaning. Proper interpretation of these symbols will allow you to operate the tool better and safer.

Symbol	Name	Designation/Explanation
V	Volts	Voltage
A	Amperes	Current
Hz	Hertz	Frequency (cycles per second)
W	Watt	Power
kg	Kilograms	Weight
min	Minutes	Time
s	Seconds	Time
Wh	Watt-hours	Battery capacity
Ah	Ampere-hours	Battery capacity
∅	Diameter	Size of drill bits, grinding wheels, etc.
n_0	No load speed	Rotational speed, at no load
n	Rated speed	Maximum attainable speed
.../min	Revolutions or reciprocations per minute (rpm)	Revolutions, strokes, surface speed, orbits, etc. per minute
O	Off position	Zero speed, zero torque...
1,2,3,... I,II,III,	Selector settings	Speed, torque, or position settings. Higher number means greater speed
	Infinitely variable selector with off	Speed is increasing from 0 setting
	Arrow	Action in the direction of arrow
	Alternating current (AC)	Type or a characteristic of current
	Direct current (DC)	Type or a characteristic of current
	Alternating or direct current (AC / DC)	Type or a characteristic of current
	Class II tool	Designates Double Insulated Construction tools.
	Protective earth	Grounding terminal
	Li-ion RBRC seal	Designates Li-ion battery recycling program
	Read the instructions	Alerts user to read manual

Symbol	Name	Designation/Explanation
	Wear eye protection symbol	Alerts user to wear eye protection
	Always operate with two hands	Alerts user to always operate with two hands
	Do not use the guard for cut-off operations	Do not use the guard for cut-off operations

SYMBOLS (CERTIFICATION INFORMATION)

Symbol	Designation/Explanation
	This symbol designates that this tool is listed by Underwriters Laboratories.
	This symbol designates that this component is recognized by Underwriters Laboratories.
	This symbol designates that this tool is listed by Underwriters Laboratories, to United States and Canadian Standards.
	This symbol designates that this tool is listed by the Canadian Standards Association.
	This symbol designates that this tool is listed by the Canadian Standards Association, to United States and Canadian Standards.
	This symbol designates that this tool is listed by the Intertek Testing Services, to United States and Canadian Standards.

FUNCTIONAL DESCRIPTIONS AND SPECIFICATIONS

Circular Saw

Fig. 1a

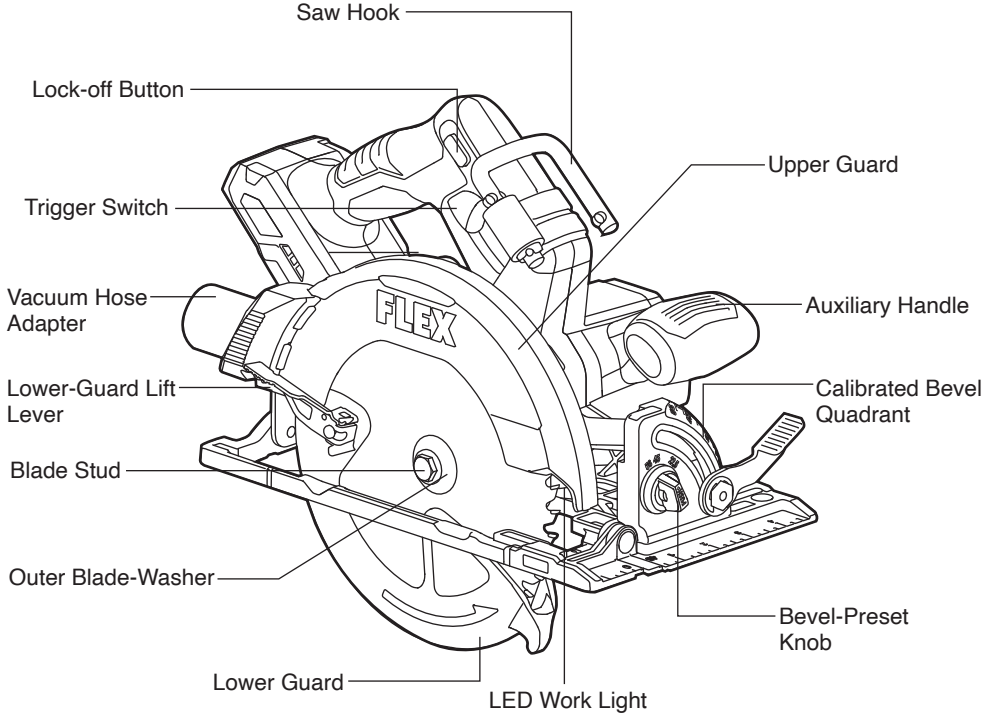
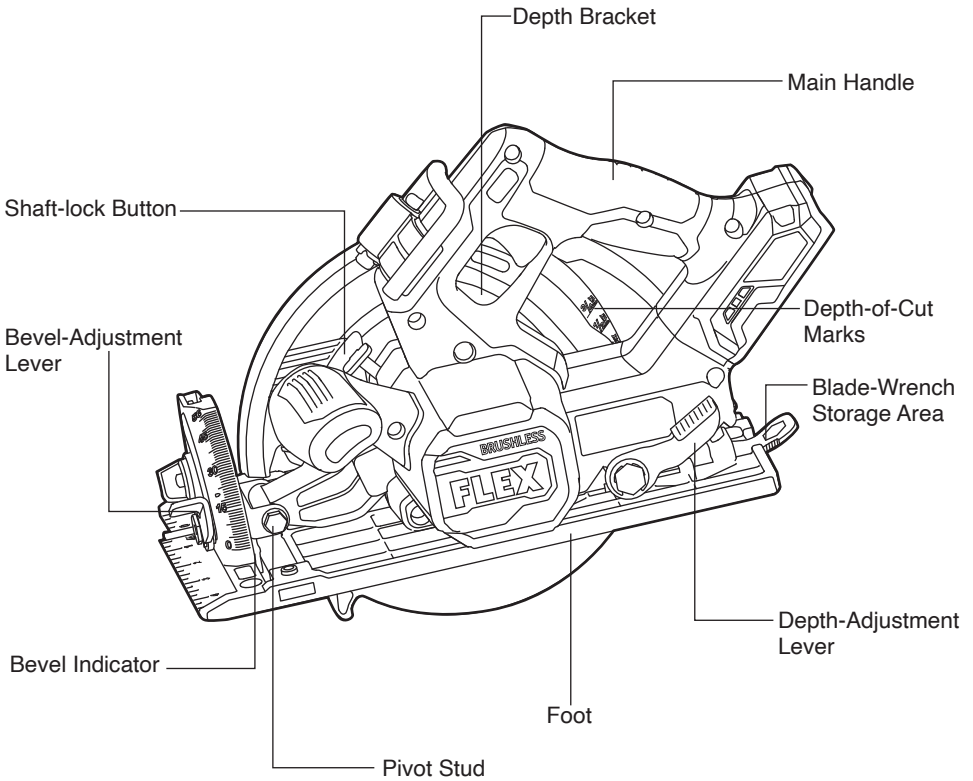


Fig. 1b



Model No.	FX2141
Rated Voltage	24 V d.c.
No load Speed	5800 RPM
Bevel Capacity	0 – 56°
Blade	7-1/4" (184 mm)
Blade Arbor Hole	5/8" (16 mm)
Depth of cut at 90°	2-5/8" (66 mm)
Depth of cut at 45°	1-7/8" (48 mm)
Depth of cut at 56°	1-1/2" (38 mm)
Recommended operating temperature	-4 – 104°F (-20 – 40°C)
Recommended storage temperature	< 122°F (< 50°C)

ASSEMBLY

⚠ WARNING Detach the battery pack from the tool before making any assembly, adjustments or changing accessories. Such preventive safety measures reduce the risk of starting the tool accidentally.

TO ATTACH/DETACH BATTERY PACK (FIG. 2)

To attach the battery pack:

Align the raised rib on the battery pack with the grooves in the tool, and then slide the battery pack onto the tool.

NOTICE: Make sure that the latch on the battery pack snaps into place and that the battery pack is secured to the tool before beginning operation.

NOTICE: When placing the battery pack onto the tool, be sure that the raised rib on the battery pack aligns with the groove inside the tool and that the latches snap into place properly. Improper attachment of the battery pack can cause damage to internal components.

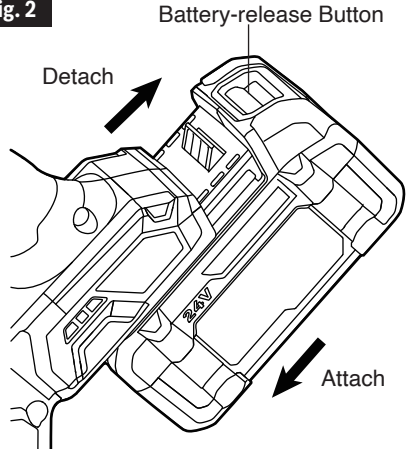
To detach the battery pack:

Depress the battery-release button located on the front of the battery pack, to release the battery pack. Pull the battery pack out and remove it from the tool.

⚠ WARNING Battery tools are always in operating condition.

Therefore, remove the battery when the tool is not in use or when carrying it at your side.

Fig. 2



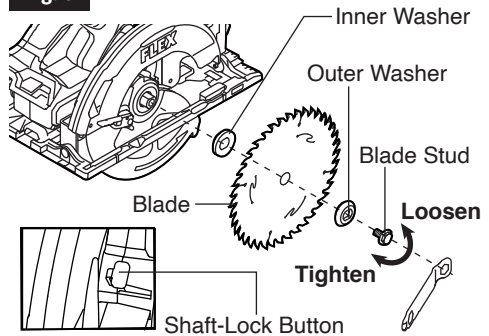
ATTACHING THE BLADE (FIG. 3)

⚠ WARNING Detach the battery pack from the tool before performing any assembly or adjustments or changing accessories. Such preventive safety measures reduce the risk of starting the tool accidentally.

⚠ WARNING Use only 7-1/4" saw blades rated 5800/min (RPM) or greater. NEVER use a blade that is so thick that it prevents the outer blade washer from engaging with the flat side of the spindle. Using a blade not designed for the saw may result in serious personal injury and property damage.

- Take the blade wrench from its storage area.
- Press the shaft-lock button and turn blade wrench until the shaft-lock button engages. The saw shaft is now locked. Continue to depress the shaft-lock button, turn the blade wrench counterclockwise and remove the blade stud and the outer washer.
- Make sure that the saw teeth and the arrow on the blade point in the same direction as the arrow on the lower guard.
- Retract the lower guard all the way up into the upper guard. While retracting the lower guard, check the operation and condition of the lower-guard spring.

Fig. 3



- Slide the blade through the slot in the foot and mount it against the inner washer on the shaft. Be sure that the large diameter of the inner and outer washers lay flush against the blade.
- Reinstall the OUTER WASHER. First finger tighten the blade stud, then tighten the blade stud 1/8 turn (45°) with the blade wrench provided.

NOTICE: Do not use a blade wrench with a longer handle, since it may lead to over tightening of the blade stud.

NOTICE: Always clean the spindle, upper guard, and lower guard to remove any dirt and sawdust.

ATTACHING THE VACUUM HOSE ADAPTER (FIG. 4)

⚠ WARNING Always wear a dust mask during use.

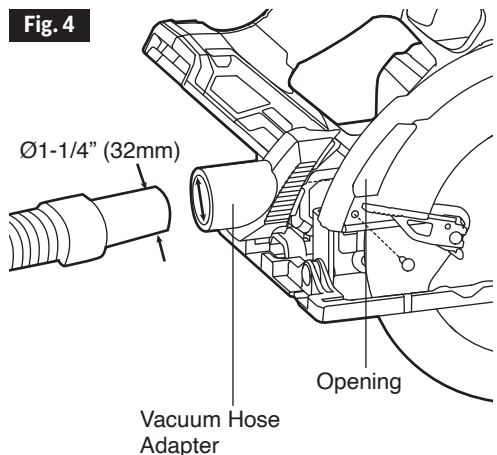
Align the vacuum hose adapter with the opening on the upper guard, fix the vacuum hose adapter in place by using a screw (provided).

To extract the saw dust created during cutting, connect a suitable vacuum cleaner with a 1-1/4" suction hose to the vacuum hose adapter.

Make sure the vacuum hose has freedom to move and has enough length to complete the cut. If needed, have another person move the vacuum cleaner and the hose while you are making the cut.

Before starting a cut, make sure that the airflow through the upper guard is not obstructed.

Fig. 4



ADJUSTMENTS

DEPTH ADJUSTMENT (FIG. 5A AND 5B)

- Remove the battery pack from the circular saw.
- Loosen the depth-adjustment lever by pushing it up towards the motor housing.
 - Hold the foot down with one hand and use the handle to raise or lower the saw.
 - Align the notch on the depth bracket with the desired depth-of-cut mark on the upper guard and tighten the depth-adjustment lever.

Check the set depth. Not more than one tooth length of the blade should extend below the material to be cut to minimize splintering.

NOTICE: The four most common cutting depths are marked on the upper guard. These settings help the operator to quickly set the saw to cut through the material with thickness of 1/4", 1/2", 3/4", and 2xPLY, respectively, while allowing one tooth length of the blade to extend below the material.

Fig. 5A

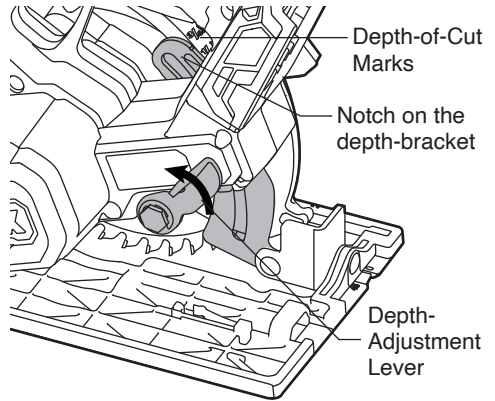
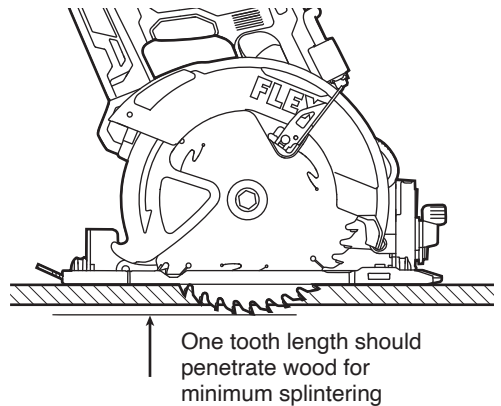


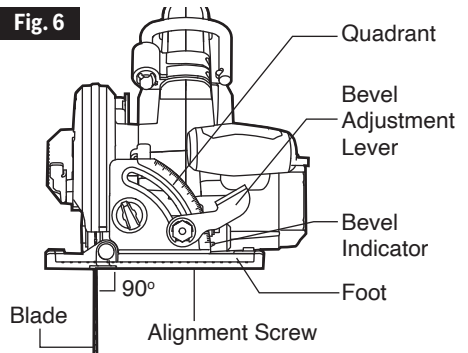
Fig. 5B



CHECK THE 90° CUTTING ANGLE (FIG. 6)

- Remove the battery pack from the circular saw.
- Set the foot to the maximum depth of cut setting. Loosen the bevel-adjustment lever, set the bevel indicator to 0° on quadrant, retighten the lever, and check for 90° angle between the blade and bottom plane of foot with a square.
 - Use a 2.5mm hex key (not included) to make adjustments, if necessary, by turning the small alignment screw from bottom side of the foot.

Fig. 6



BEVEL ADJUSTMENT (FIG. 7)

Remove the battery pack from the circular saw. Your tool is equipped with a bevel-preset knob and a bevel adjustment lever at the front of the saw, to control bevel angle setting.

NOTICE: The bevel-preset knob of your saw was set to 56° at the factory.

The bevel-preset knob allows the operator to quickly set bevel at 22.5°, 45°, and 56°.

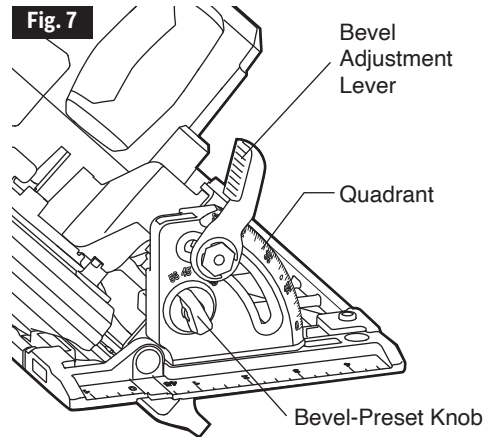
To use the bevel-preset knob

- Push the bevel-preset knob and turn it to one of the desired settings – 22.5°, 45°, or 56°.
- Release the bevel-preset knob and it will serve as a travel stop when adjusting the bevel angle.

To use the bevel-adjustment lever

With the bevel-preset knob set, the operator can quickly set the bevel angle to one of the presets 22.5°, 45°, and 56° or select a desired bevel angle within the selected angle range.

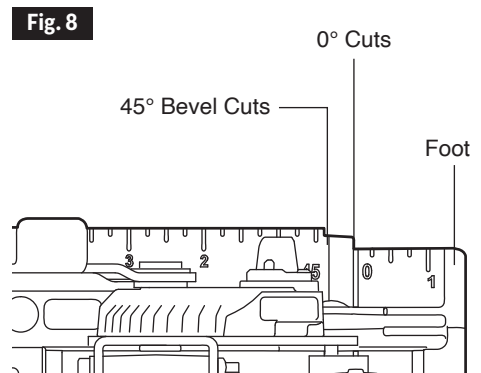
- Loosen the bevel-adjustment lever.
- Tilt the saw as far as possible until it is blocked by the bevel-preset knob at either 22.5°, 45°, or 56°. If a custom bevel angle within the selected angle range (e.g. 22.5 – 45°), tilt the saw until the bevel indicator is aligned with the desired angle mark on the quadrant.
- Tighten the bevel-adjustment lever.



⚠ WARNING Because of the increased amount of blade engagement in the work and decreased stability of the foot, blade binding may occur. Keep the saw steady and the foot firmly on the workpiece.

LINE GUIDE (FIG. 8)

For a 0° cut and a 45° bevel cut, use the respective marks on the foot for guidance. The cutting guide will indicate an approximate line of cut. Make sample cuts in scrap lumber to verify the actual line of cut. This will be helpful because of the number of different blade types and thicknesses available. To ensure minimum splintering on the good side of the material to be cut, face the good side down.



SAW HOOK (FIG. 9)

Your tool is equipped with a hook. Use the hook to hang the saw from a rafter or beam or other similar secure structure for temporary storage during work. Recommended lumber size to support the saw with the hook: 2x4.

To use, lift up the hook until it snaps into the open position.

When not in use, always lower the hook until it snaps into the closed position.

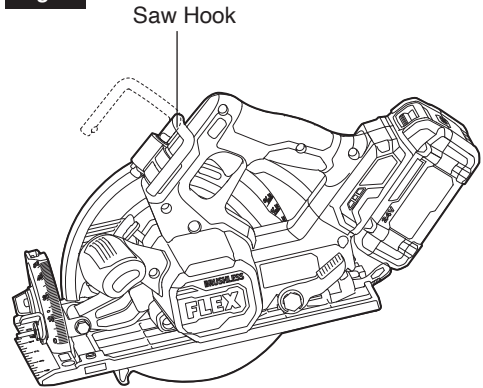
⚠ WARNING When the saw is hung by the hook, do not shake the saw or the object that it is hanging from. Do not hang the saw from any electrical wires. Make sure that the structure used to hang the saw is secure. Personal injury or property damage may occur.

Only use the hook for hanging the saw.

Using the hook to hang anything else could lead to serious injury.

Do not use the hook to reach another object or use the hook to support your weight in any situation.

Fig. 9



OPERATION INSTRUCTIONS

⚠ WARNING To reduce the risk of fire, personal injury, and product damage due to a short circuit, never immerse your tool, battery pack or charger in fluid or allow a fluid to flow inside them. Corrosive or conductive fluids, such as seawater, certain industrial chemicals, and bleach or bleach-containing products, etc. can cause a short circuit.

⚠ WARNING If any parts are damaged or missing, do not operate this product until the parts are replaced. Use of this product with damaged or missing parts could result in serious personal injury.

⚠ WARNING Do not attempt to modify this tool or create accessories not recommended for use with this tool. Any such alteration or modification is misuse and could result in a hazardous condition leading to possible serious injury.

⚠ WARNING To prevent accidental starting that could cause serious personal injury, always remove the battery pack from the tool when assembling parts.

This Circular saw must be used only with the battery packs and chargers listed below:

Battery Pack				Charger	
2.5Ah	5Ah	8Ah	12Ah		
FLEX FX0111	FLEX FX0121	FLEX FX0221	FLEX FX0231	FLEX FX0411	FLEX FX0421

NOTICE: Please refer to the battery pack and charger manuals for detailed operating information.

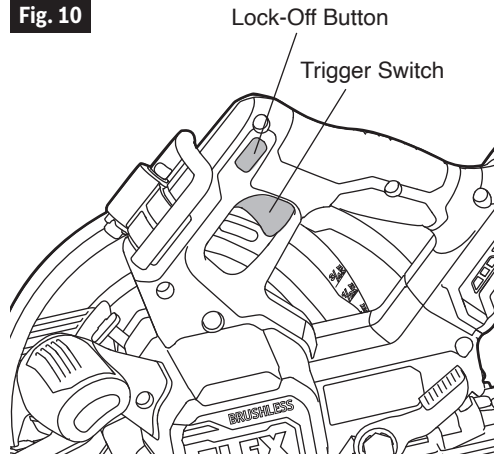
SWITCH (FIG. 10)

To turn the tool “ON”, press and hold the lock-off button with your thumb, then squeeze the trigger switch with your finger. Release the lock-off button and continue to squeeze the trigger for continued operation.

To turn the tool “OFF”, release the trigger switch, which is spring loaded and will return to the off position automatically.

Your saw should be running at full speed BEFORE starting the cut, and turned off only AFTER completing the cut. To increase switch life, do not turn switch on and off while cutting.

Fig. 10

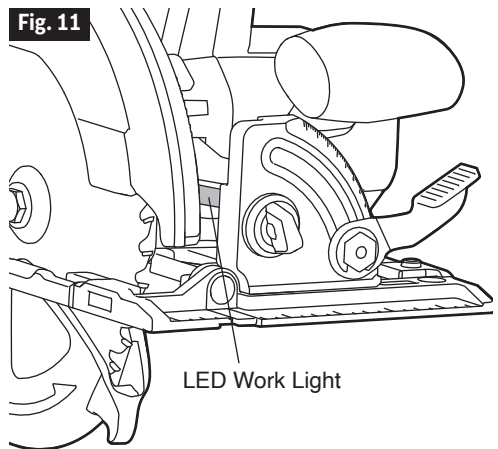


LED WORK LIGHT (FIG.11)

Your tool is equipped with the LED work light. This provides additional light on the saw blade and the surface of the workpiece for operation in lower-light areas.

The LED work light will automatically turn on with a slight squeeze of the trigger switch before the tool starts running. It will turn off approximately 10 seconds after the trigger switch is released.

- a. When the tool and/or battery pack becomes overloaded or too hot, the internal sensors will turn the tool off. If the tool and/or battery pack are overloaded, the LED light will rapidly flash. Rest the tool for a while or place the tool and battery pack separately under air flow for cooling.
- b. The LED light will flash more slowly to indicate that the battery pack charge is at low capacity. Recharge the battery pack.
- c. If the LED does not turn on when you start the tool, or it turns off suddenly during operation, please contact customer service or an authorized service center for assistance.



GENERAL CUTS

Always hold the saw by the main handle with one hand and the auxiliary handle with the other. Maintain a firm grip with both hands on the saw and position your arms to resist kickback forces. Position your body to either side of the blade, but not in line with the blade.

Make sure your body faces away from the vacuum hose adapter.

⚠ WARNING Always be sure that neither hand interferes with the free movement of the lower guard.

Maintain a firm grip and operate the switch with a decisive action. Never force the saw. Use light and continuous pressure.

⚠ WARNING After completing a cut and releasing the trigger, be aware of the necessary time it takes for the blade to come to a complete stop during coast down. Do not allow the saw to brush against your leg or side; since the lower guard is retractable, it could catch on your clothing and expose the blade. Be aware of the necessary blade exposures that exist in both the upper and lower guard areas.

To resume cutting when cutting is interrupted, restart the saw, and allow the blade to reach full speed, re-enter the cut slowly, and resume cutting.

When cutting across the grain, the fibers of the wood tend to tear and lift. Advancing the saw slowly minimizes this effect. For a finished cut, a cross cut blade or miter blade is recommended.

NOT FOR CUTTING MASONRY/METAL

This tool is only designed for wood-cutting; it is not designed for use with metal or masonry cut-off wheels.

⚠ WARNING Do not use abrasive wheels with circular saws. Abrasive dust may cause the lower guard to not operate properly.

PLUNGE CUTS (FIG. 12)

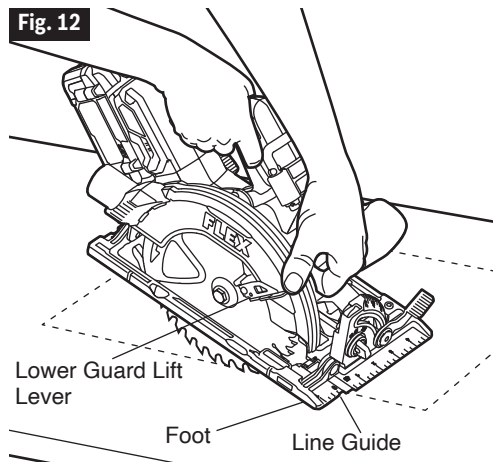
Remove the battery pack from the circular saw before making adjustments.

- Set the depth adjustment according to the thickness of the material to be cut. Attach the battery pack.
- Hold the main handle of the saw with one hand, tilt the saw forward, and rest the front of the foot plate on the material to be cut. Line up 0° mark on the foot with the line you've drawn. Use the lower-guard lift lever to raise the lower guard and hold the front of the foot plate with the other hand (Fig. 12).

Position the saw so that the blade is just clearing the material to be cut. Start the saw and, once it is fully up to speed, gradually lower the back end of saw using the front end of the foot as the hinge point.

Once the foot plate rests flat on the surface being cut, release the lower guard and move the hand holding the front of the foot plate to hold the auxiliary handle. Proceed cutting in forward direction to end of cut.

⚠ WARNING Allow blade to come to a complete stop before lifting the saw from the cut. Also, never pull



the saw backward, since blade will climb out of the material and KICKBACK will occur.

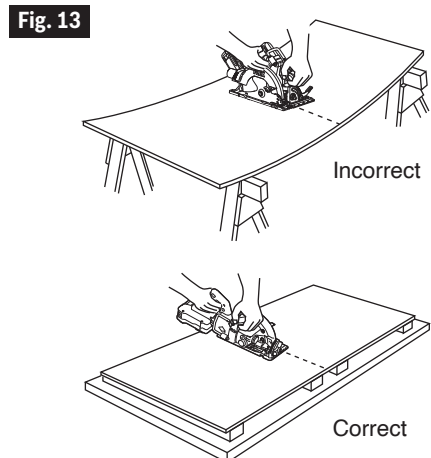
Turn the saw around and finish the cut in the normal manner, sawing forward. If corners of your plunge cut are not completely cut through, use a jig saw or hand saw to finish the corners.

CUTTING LARGE SHEETS (FIG. 13)

Large sheets and long boards can sag or bend, depending on their support. If you attempt to cut without leveling and properly supporting the piece, the blade will tend to bind, causing KICKBACK and extra load on the motor.

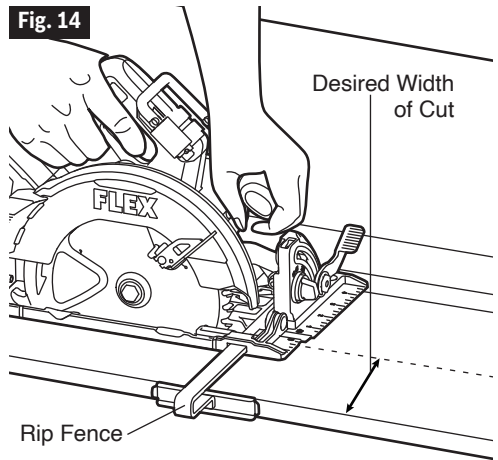
Support the panel or board close to the cut, as shown in (Fig. 13). Be sure to set the depth of the cut so that you cut through the sheet or board only and not the table or work bench.

The two-by-fours used to raise and support the work should be positioned so that the wide sides support the work and rest on the table or bench. Do not support the work with the narrow sides, as this is an unsteady arrangement. If the sheet or board to be cut is too large for a table or work bench, use the supporting two-by-fours on the floor and secure.



RIP CUTS (FIG. 14)

The blade provided with your saw is designed for both cross cuts and rip cuts. Ripping is cutting lengthwise with the grain of the wood. Rip cuts are easy to perform with a rip fence (Fig. 14). A rip fence is available as an accessory (Model FT211, not included). To attach a fence, insert the fence through the slots in the foot to the desired width, as shown, and secure it with the locking nut (included with the rip fence).

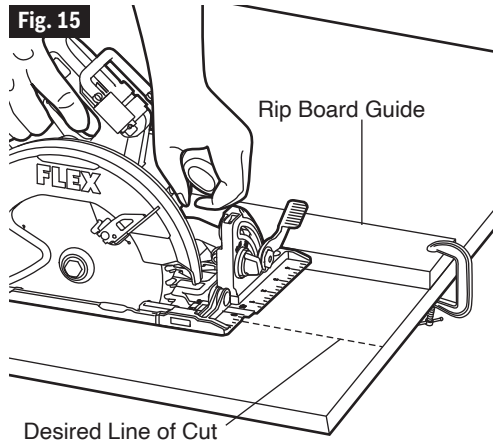


RIP-BOARD GUIDE (FIG. 15)

When rip cutting large sheets, the rip fence may not allow the desired width of cut.

Clamp or nail a straight piece of 1" (25 mm) lumber to the sheet as a guide (Fig. 15). Use the right side of the foot against the board guide.

⚠ WARNING Ensure that the clamps do not interfere with the free movement of the saw.



MAINTENANCE

⚠ WARNING To avoid serious personal injury, always remove the battery pack from the tool when cleaning or performing any maintenance.

SERVICE

⚠ WARNING Preventive maintenance performed by unauthorized personnel may result in misplacing of internal wires and components which could cause a serious hazard. We recommend that all tool service be performed by a FLEX Factory Service Center or Authorized FLEX Service Station.

GENERAL MAINTENANCE

⚠ WARNING When servicing, use only identical replacement parts. Use of any other parts could create a hazard or cause product damage. Periodically inspect the entire product for damaged, missing, or loose parts such as screws, nuts, bolts, caps, etc. Tighten securely all fasteners and caps and do not operate this product until all missing or damaged parts are replaced. Please contact customer service or an authorized service center for assistance.

CLEANING

⚠ WARNING The tool may be cleaned most effectively with compressed dry air. Always wear safety

goggles when cleaning tools with compressed air. Ventilation openings and switch levers must be kept clean and free of foreign matter. Do not attempt to clean by inserting pointed objects through openings.

⚠ WARNING Certain cleaning agents and solvents damage plastic parts. Some of these are: gasoline, carbon tetrachloride, chlorinated cleaning solvents, ammonia and household detergents that contain ammonia.

STORAGE

Store the tool indoors in a place that is inaccessible to children. Keep away from corrosive agents.

CARE OF BLADES

Blades become dull even from cutting regular lumber. If you find yourself forcing the saw forward to cut instead of just guiding it through the cut, chances are the blade is dull or coated with wood pitch.

When cleaning gum and wood pitch from blade, detach the battery pack and remove the blade.

Remember, blades are designed to cut, so handle them carefully. Wear gloves and wipe the blade with kerosene or similar solvent to remove the gum and pitch.

Unless you are experienced in sharpening blades, we recommend you do not try.

ACCESSORIES

⚠ WARNING The use of any other accessories not specified in this manual may create a hazard.

Blade wrench

Blade

FLEX 5 YEAR LIMITED WARRANTY

Chervon North America, Inc. ("Seller") warrants to the original purchaser only, that all FLEX 24V products will be free from defects in material or workmanship for a period of five years from date of purchase when the original purchaser registers the product within 30 days from the date of original retail purchase and retains their receipt as proof of purchase. THE 5-YEAR LIMITED WARRANTY PERIOD IS CONDITIONED ON REGISTRATION OF THE PRODUCT WITHIN 30 DAYS OF PURCHASE AND ONLY APPLICABLE TO FLEX 24V TOOLS, BATTERIES AND CHARGERS. If the original purchaser does not register their product within 30 days, the foregoing limited warranty will apply for a duration of three years. Product registration can be completed online at www.registermyflex.com.

24V Tools: 5-Year Limited Warranty with Registration

24V Batteries and Chargers: 5-Year Limited Warranty with Registration

Corded, 12V and 20V FLEX Legacy Products: 1-Year Limited Warranty, No Registration Benefit

Accessories and Attachments: No Warranty

SELLER'S SOLE OBLIGATION AND YOUR EXCLUSIVE REMEDY under this 5-Year Limited Warranty and, to the extent permitted by law, any warranty or condition implied by law, shall be the repair or replacement of parts, without charge, which are defective in material or workmanship and which have not been misused, carelessly handled, or repaired by persons other than a FLEX Authorized Service Dealer. This warranty does not cover part failure due to normal wear and tear. To make a claim under warranty, return the complete product, transportation prepaid, to any FLEX Authorized Service Dealer. For Authorized FLEX Service Dealers, please visit www.registermyflex.com or call 1-833-FLEX-496 (1-833-353-9496).

This 5-Year Limited Warranty does not apply to accessories, attachments or parts.

Any implied warranties applicable to a product shall be limited in duration equal to the duration of the express warranties applicable to such product, as set forth in the first paragraph above. Some states in the U.S. and some Canadian provinces do not allow limitations on how long an implied warranty lasts, so the above limitation may not apply.

FLEX is not responsible for direct, indirect, incidental or consequential damages. Some U.S. states and Canadian provinces do not allow limitations on how long an implied warranty lasts and/or do not allow the exclusion or limitation of incidental or consequential damages, so the above limitations or exclusions may not apply. This limited warranty gives you specific legal rights, and you may also have other rights which vary by state in the U.S. and by province in Canada.

This limited warranty applies only to products sold within the United States of America, Canada and the commonwealth of Puerto Rico. For warranty coverage within other countries, contact your local FLEX dealer.

© Chervon North America, 1203 E. Warrenville Rd., Naperville, IL 60563

www.flexpowertools.com





www.registermyflex.com

1-833-FLEX-496 (1-833-353-9496)

SYMBOLES RELATIFS À LA SÉCURITÉ

La raison d'être des symboles relatifs à la sécurité est d'attirer votre attention sur des dangers possibles. Il est important de vous familiariser avec les symboles relatifs à la sécurité et les explications qui les accompagnent afin de bien les comprendre. Les avertissements et les symboles associés ne suffisent pas à éliminer tous les dangers. Les instructions et les avertissements qu'ils donnent ne sauraient remplacer des mesures de prévention des accidents appropriées.

⚠ AVERTISSEMENT Lisez toutes les consignes de sécurité qui sont contenues dans ce Mode d'emploi, y compris tous les symboles d'alerte relatifs à la sécurité tels que « **DANGER** », « **AVERTISSEMENT** » et « **MISE EN GARDE** », et assurez-vous que vous les comprenez bien avant de commencer à utiliser cet outil. La non-observation de toutes les instructions figurant ci-après pourrait causer un choc électrique, un incendie et/ou des blessures personnelles graves.

Les définitions ci-dessous décrivent le niveau de gravité pour chaque terme signalant un danger. Veuillez lire le mode d'emploi et lire la signification de ces symboles.	
	C'est le symbole d'alerte relatif à la sécurité. Il est utilisé pour vous avertir de l'existence possible d'un danger de lésion corporelle. Obéissez à tous les messages relatifs à la sécurité qui suivent ce symbole pour éviter tout risque de blessure ou même de mort.
	DANGER indique une situation dangereuse qui, si elle n'est pas évitée, causera la mort d'une personne ou une blessure grave.
	AVERTISSEMENT indique une situation dangereuse qui, si elle n'est pas évitée, causera la mort d'une personne ou une blessure grave.
	MISE EN GARDE, conjointement avec le symbole d'alerte en liaison avec la sécurité, indique une situation dangereuse qui, si elle n'est pas évitée, causera une blessure légère ou modérée.

Messages d'information et de prévention des dommages

Ils informent l'utilisateur d'informations et/ou d'instructions importantes qui pourraient entraîner des dommages matériels ou aux équipements s'ils ne sont pas suivis. Chaque message est précédé par le terme « AVIS », comme dans l'exemple ci-dessous :

AVIS : Un dommage matériel et/ou aux équipements peut survenir si ces instructions ne sont pas suivies.



⚠ AVERTISSEMENT Pendant leur fonctionnement, les outils électriques peuvent projeter des corps étrangers dans les yeux de leur utilisateur et lui infliger de graves blessures aux yeux. Portez toujours des lunettes de protection ou des lunettes de sécurité à écrans latéraux et un masque couvrant tout le visage lors de l'utilisation de ce produit. Nous recommandons de porter un masque de sécurité à vision latérale large au-dessus des lunettes ordinaires ou des lunettes de sécurité standard avec des écrans de protection sur les côtés. Utilisez toujours un équipement de protection des yeux indiquant qu'il est conforme à la norme ANSI Z87.1.

AVERTISSEMENTS GÉNÉRAUX RELATIFS À LA SÉCURITÉ POUR LES OUTILS ÉLECTRIQUES

⚠ AVERTISSEMENT Lisez tous les avertissements relatifs à la sécurité, les instructions, les illustrations et les spécifications fournies avec cet outil électrique. Le non-respect de toutes les instructions figurant ci-après pourrait causer un choc électrique, un incendie et/ou des blessures graves.

CONSERVEZ TOUS LES AVERTISSEMENTS ET TOUTES LES INSTRUCTIONS POUR RÉFÉRENCE FUTURE.

Le terme « outil électrique » dans les avertissements fait référence à votre outil électrique à cordon électrique branché dans une prise secteur ou à votre outil électrique à piles (sans fil).

Sécurité de la zone de travail

Gardez votre zone de travail propre et bien éclairée. Des zones encombrées ou sombres sont propices aux accidents.

N'utilisez pas des outils électriques dans une atmosphère explosive, par exemple en présence de liquides, de gaz ou de poussières inflammables. Les outils électriques produisent des étincelles qui risquent de mettre feu aux poussières ou aux émanations de fumée.

Gardez les enfants et autres personnes présentes à une distance suffisante lorsque vous utilisez un outil électrique. Des distractions risqueraient de vous faire perdre le contrôle.

Sécurité électrique

La fiche de l'outil électrique doit correspondre à la prise de courant. Ne modifiez jamais une fiche de quelque façon que ce soit. N'utilisez pas d'adaptateurs de fiches avec des outils électriques mis à la terre/à la masse. L'emploi de fiches non modifiées et de prises de courant correspondant naturellement aux fiches réduira le risque de choc électrique.

Évitez tout contact de votre corps avec des surfaces mises à la terre ou à la masse telles que des surfaces de tuyaux, de radiateurs, de cuisinières et de réfrigérateurs. Il existe un risque accru de choc électrique si votre corps est en contact avec la terre ou la masse.

N'exposez pas d'outils électriques à la pluie ou à un environnement humide. La pénétration d'eau dans un outil électrique augmentera le risque de choc électrique.

N'utilisez pas le cordon de façon abusive. N'utilisez pas le cordon pour porter, tirer ou débrancher l'outil électrique. Tenez le cordon à distance de toute source de chaleur, d'huile, de bords tranchants ou de pièces mobiles. Des cordons endommagés ou entortillés augmentent le risque de choc électrique.

Lorsque vous utilisez un outil électrique à l'extérieur, employez un cordon de rallonge approprié pour un emploi à l'extérieur. L'utilisation d'un cordon approprié pour une utilisation à l'extérieur réduit le risque de choc électrique.

S'il est inévitable d'utiliser un outil électrique dans un environnement humide, utilisez une alimentation protégée par un disjoncteur de circuit de fuite à la terre. L'utilisation d'un tel circuit réduit le risque de choc électrique.

Sécurité personnelle

Faites preuve de vigilance et de bon sens, et observez attentivement ce que vous faites lorsque vous utilisez un outil électrique. N'utilisez pas un outil électrique si vous êtes fatigué(e) ou sous l'influence de drogues, d'alcool ou de médicaments. Un simple moment d'inattention pendant que vous utilisez un outil électrique pourrait causer une blessure grave.

Utilisez des équipements de protection personnelle. Portez toujours des équipements de protection des yeux. Des équipements de protection tels qu'un masque de protection contre la poussière, des chaussures de sécurité antidérapantes, un casque ou un dispositif de protection de l'ouïe utilisés en fonction des conditions réduiront le nombre des blessures.

Prévenez une mise en marche accidentelle. Assurez-vous que l'interrupteur est dans la position d'arrêt (OFF) avant de connecter l'appareil à une source d'alimentation et/ou à un bloc-piles, de le soulever ou de le transporter. Le fait de transporter des outils électriques avec le doigt sur l'interrupteur ou de mettre sous tension des outils électriques avec l'interrupteur en position de marche invite les accidents.

Retirez toute clé de réglage pouvant être attachée à l'outil avant de mettre l'outil électrique sous tension. Une clé laissée attachée à une pièce en rotation de l'outil électrique pourrait causer une blessure.

Ne faites rien qui risquerait de vous faire perdre l'équilibre. Veillez à toujours garder un bon équilibre et un appui stable. Ceci permet de mieux contrôler l'outil électrique dans des situations inattendues.

Portez des vêtements appropriés. Ne portez pas de bijoux ou de vêtements amples. Gardez vos cheveux et vos vêtements à une distance suffisante des pièces mobiles. Les vêtements amples, bijoux ou cheveux longs pourraient être attrapés par des pièces mobiles.

Si des dispositifs sont fournis pour le raccordement d'accessoires d'extraction et de collecte de la poussière, assurez-vous qu'ils sont connectés et utilisés de façon appropriée. L'emploi correct de l'accessoire de collecte de la poussière peut réduire les dangers associés à la poussière.

Ne laissez pas la familiarité résultant de l'utilisation fréquente des outils vous inciter à devenir complaisant(e) et à ignorer les principes de sécurité des outils. Une action négligente pourrait causer des blessures graves en une fraction de seconde.

Utilisation et entretien de l'outil électrique

N'imposez pas de contraintes excessives à l'outil électrique. Utilisez l'outil électrique approprié pour votre application. L'outil électrique correct fera le travail plus efficacement et avec plus de sécurité à la vitesse à laquelle il a été conçu pour fonctionner.

N'utilisez pas l'outil électrique si l'interrupteur de marche/arrêt ne permet pas de le mettre sous tension/hors tension. Tout outil électrique qui ne peut pas être contrôlé

par son interrupteur est dangereux et doit être réparé.

Débranchez la fiche de la prise secteur et/ou retirez le bloc-piles de l'outil électrique (s'il est amovible) avant d'y apporter de quelconques modifications, de changer d'accessoire ou de ranger l'outil électrique. De telles mesures de sécurité préventives réduisent le risque de déclenchement accidentel de l'outil électrique.

Rangez les outils électriques qui ne sont pas utilisés activement hors de portée des enfants, et ne laissez aucune personne n'ayant pas lu ces instructions et ne sachant pas comment utiliser un tel outil se servir de cet outil. Les outils électriques sont dangereux quand ils sont entre les mains d'utilisateurs n'ayant pas reçu la formation nécessaire à leur utilisation.

Entretenez de façon appropriée les outils électriques et les accessoires. Assurez-vous que les pièces en mouvement sont bien alignées et qu'elles ne se coincent pas, qu'il n'y a pas de pièces cassées ou qu'il n'existe aucune situation pouvant affecter le fonctionnement de l'outil électrique. Si l'outil électrique est endommagé, faites-le réparer avant de vous en servir à nouveau. De nombreux accidents sont causés par des outils électriques mal entretenus.

Gardez les outils de coupe tranchants et propres. Des outils de coupe entretenus de façon adéquate avec des bords de coupe tranchants sont moins susceptibles de se coincer et sont plus faciles à contrôler.

Utilisez l'outil électrique, les accessoires, les mèches de perçage, etc. conformément à ces instructions, en tenant compte des conditions de travail et de la tâche à accomplir. L'utilisation de l'outil électrique pour des opérations différentes de celles pour lesquelles il est conçu pourrait causer une situation dangereuse.

Gardez les poignées et les surfaces de préhension propres, sèches et exemptes de toute trace d'huile ou de graisse. Les poignées et les surfaces de préhension glissantes ne permettent pas une manipulation et un contrôle sûrs de l'outil dans des situations inattendues.

Utilisation et entretien de l'outil électrique à pile

Ne rechargez l'outil qu'avec le chargeur indiqué par le fabricant. Un chargeur qui est approprié pour un type de bloc-piles pourrait créer un risque d'incendie quand il est utilisé avec un autre bloc-piles.

Utilisez votre outil exclusivement avec des blocs-piles conçus spécifiquement pour celui-ci. L'emploi de tout autre bloc-piles risquerait de causer des blessures et un incendie.

Lorsque le bloc-piles n'est pas utilisé, gardez-le à une distance suffisante des autres objets en métal, comme des trombones, pièces de monnaie, clés, clous, vis ou autres petits objets en métal qui pourraient faire une connexion entre une borne et une autre. Le court-circuitage des bornes d'une pile pourrait causer des brûlures ou un incendie.

Dans des conditions d'utilisation abusives, du liquide pourrait être éjecté de la pile; évitez tout contact. En cas de contact accidentel, lavez avec de l'eau. En cas de contact de liquide avec les yeux, consultez un professionnel de santé. Tout liquide éjecté d'une pile peut causer de l'irritation ou des brûlures.

N'utilisez pas un bloc-piles ou un outil qui est endommagé ou a été modifié. Des piles endommagées ou modifiées peuvent se comporter de façon imprévisible et causer un incendie, une explosion ou des blessures.

N'exposez pas un bloc-piles ou un outil à un feu ou à une température excessive. L'exposition à un feu ou à une température supérieure à 130° C / 265° F pourrait causer une explosion.

Suivez toutes les instructions relatives à la charge et ne chargez pas le bloc-piles ou l'outil en dehors de la plage de température indiquée dans les instructions. Une charge dans des conditions appropriées ou à des températures en dehors de la plage spécifiée pourrait endommager la pile et augmenter le risque d'incendie.

Service après-vente

Faites entretenir votre outil électrique par un réparateur compétent n'utilisant que des pièces de rechange identiques. Ceci assurera le maintien de la sécurité de l'outil électrique.

Ne tentez jamais de réparer des blocs-piles endommagés. La réparation de blocs-piles ne doit être effectuée que par le fabricant ou un prestataire de services agréé.

CONSIGNES DE SÉCURITÉ POUR LES SCIES CIRCULAIRES

Procédures de coupe

⚠ AVERTISSEMENT Gardez les mains à

distance de la zone de coupe et de la lame. Gardez l'autre main sur la poignée auxiliaire ou sur le carter du moteur. Si les deux mains tiennent la scie, elles ne risquent pas d'être coupées par la lame.

Ne tentez pas d'atteindre le dessous de l'ouvrage. Le dispositif de protection ne peut pas vous protéger contre la lame en dessous de l'ouvrage.

Réglez la profondeur de coupe en fonction de l'épaisseur de l'ouvrage. Moins d'une dent complète des dents de la lame doit être visible en dessous de l'ouvrage.

Ne tenez jamais l'ouvrage dans vos mains ou en travers de votre jambe pendant que vous coupez. Fixez l'ouvrage sur une

plateforme stable. Il est important de bien soutenir l'ouvrage pour minimiser l'exposition du corps et les risques de fixation de la lame ou de perte de contrôle.

Tenez l'outil électrique par ses surfaces de préhension isolées, lorsque vous effectuez une opération dans le cadre de laquelle l'outil de coupe peut entrer en contact avec un câblage caché. Le contact avec un fil sous tension rendra également les parties métalliques exposées de l'outil électrique conductrices et pourrait donner à l'opérateur un choc électrique.

Lorsque vous effectuez une coupe de refente, utilisez toujours un guide de refente ou un guide à bord droit. Cela améliore la précision de la coupe et réduit le risque de blocage de la lame.

Utilisez toujours des lames dont la taille et la forme (diamantée ou ronde) des trous d'arbre sont correctes. Les lames qui ne correspondent pas au matériel de montage de la scie ont tendance à se décentrer, ce qui entraîne une perte de contrôle.

N'utilisez jamais de rondelles de lame ou de boulons endommagés ou incorrects. Les rondelles de lame et les boulons ont été spécialement conçus pour votre scie, pour produire une performance optimale et pour assurer la sécurité du fonctionnement.

Causes des chocs en retour et avertissements associés

Le choc en retour est une réaction soudaine à une lame de scie pincée, bloquée ou mal alignée, provoquant le soulèvement d'une scie incontrôlée et sa sortie de l'ouvrage en direction de l'opérateur ;

Lorsque la lame est pincée ou coincée par la fermeture du trait de scie, la lame cale et la réaction du moteur projette l'outil à grande vitesse en direction de l'opérateur.

Si la lame est tordue ou mal alignée dans la coupe, les dents du bord arrière de la lame peuvent s'enfoncer dans la surface supérieure du bois, ce qui aura pour effet que la lame sortira du trait de scie et sautera en arrière dans la direction de l'opérateur.

Un choc en retour est la conséquence d'une utilisation inappropriée de la scie et/ou de procédures ou conditions de fonctionnement incorrectes, et il peut être évité en prenant des précautions appropriées comme indiqué ci-dessous.

Maintenez une prise ferme avec les deux mains sur la scie et positionnez vos bras pour résister à la force du choc en retour possible. Placez votre corps de chaque côté de la lame, mais pas dans l'alignement de celle-ci. Le choc en retour peut faire sauter la scie vers l'arrière, mais la force de ce choc peut être contrôlée par l'opérateur, si des précautions appropriées sont prises.

Lorsque la lame est bloquée, ou lorsqu'elle interrompt une coupe pour une raison quelconque, relâchez la gâchette et maintenez la scie immobile dans le matériau jusqu'à ce que la lame s'arrête complètement. Ne tentez jamais de retirer la scie de l'ouvrage ou de la tirer vers l'arrière pendant que la lame est en mouvement,

car un choc en retour pourrait se produire. Examinez et prenez des mesures correctives pour éliminer la cause du blocage de la lame.

Lorsque vous redémarrez une scie dans un ouvrage, centrez la lame de la scie dans le trait de scie afin que les dents de la scie ne soient pas engagées dans le matériau de l'ouvrage. Si une lame de scie se coince, elle peut se soulever ou rebondir sur l'ouvrage lors du redémarrage de la scie.

Soutenez les grands panneaux pour minimiser le risque de pincement et d'effet de rebond de la lame. Les grands panneaux ont tendance à s'affaisser sous leur propre poids. Des supports doivent être placés sous le panneau des deux côtés, près de la ligne de coupe et près du bord du panneau.

N'utilisez pas de lames émoussées ou endommagées. Les lames non affûtées ou mal réglées produisent un trait de scie étroit qui entraîne une friction excessive, un blocage de la lame et un risque de choc en retour.

Les leviers de verrouillage du réglage de la profondeur et du biseau de la lame doivent être serrés et sécurisés avant de procéder à la coupe. Si le réglage de la lame se déplace pendant la coupe, il peut provoquer un blocage et un choc en retour.

Soyez particulièrement prudent(e) lorsque vous sciez dans des murs existants ou d'autres zones sans visibilité. La lame saillante peut couper des objets qui peuvent causer des chocs en retour.

Fonction du dispositif de protection inférieur

Avant chaque utilisation, vérifiez la fermeture correcte du dispositif de protection inférieur. N'utilisez pas la scie si le dispositif de protection inférieur ne se déplace pas librement et se ferme instantanément. Ne fixez ni n'attachez jamais le dispositif de protection inférieur en position ouverte. Si la scie tombe accidentellement, le dispositif de protection inférieur peut être tordu. Soulevez le dispositif de protection inférieur à l'aide de la poignée de rétraction et assurez-vous qu'il se déplace librement et ne touche pas la lame ou toute autre pièce, quel que soit l'angle ou la profondeur de coupe.

Vérifiez le fonctionnement du ressort du dispositif de protection inférieur. Si le dispositif de protection et le ressort ne fonctionnent pas correctement, ils doivent être entretenus avant d'être utilisés. Le dispositif de protection inférieur peut fonctionner lentement en raison de pièces endommagées, de dépôts gommeux ou d'une accumulation de débris.

Le dispositif de protection inférieur ne peut être rétracté manuellement que pour des coupes spéciales telles que les « coupes en plongée » et les « coupes composées ». Élevez le dispositif de protection inférieur par la poignée de rétraction et dès que la lame pénètre dans le matériau, le dispositif de protection inférieur doit être relâché. Pour toutes les autres coupes, le dispositif de protection inférieur devrait fonctionner automatiquement.

Veillez toujours à ce que le dispositif de protection inférieur couvre la lame avant de poser la scie sur un banc ou sur le sol. Une lame non protégée et non contrôlée fera reculer la scie, coupant tout ce qui se trouve sur son chemin. Soyez conscient(e) du temps qu'il faut à la lame pour s'arrêter après que vous aurez relâché l'interrupteur.

Utilisez des brides de fixation ou un autre moyen pratique pour assujettir et soutenir l'ouvrage sur une plateforme stable. Le fait de tenir la pièce à la main ou contre votre corps est instable et peut entraîner une perte de contrôle.

Inspectez l'état et la qualité du bois, et retirez tous les clous du bois avant de le couper. Le bois mouillé, le bois vert et le bois traité sous pression nécessitent une attention particulière pendant l'opération de coupe afin d'éviter tout effet de rebond.

Tenez la scie fermement pour prévenir le risque de perte de contrôle. Les figures de ce mode d'emploi illustrent un système courant de support manuel de la scie.

Cette scie circulaire ne doit pas être montée sur une table et convertie en une scie à table. Les scies circulaires ne sont pas conçues pour être utilisées comme des scies à table.

Ne mettez jamais les mains derrière la lame de la scie. Un effet de rebond pourrait projeter la scie vers l'arrière sur votre main.

N'utilisez pas la scie avec un réglage de profondeur de coupe excessif. Une trop grande exposition de la lame augmente la probabilité que la lame se torde dans le trait de scie et augmente la surface de la lame disponible pour un pincement qui entraînerait un choc en retour.

Ne laissez pas l'outil en marche pendant que vous le portez à vos côtés. Le dispositif de protection inférieur peut être ouvert accidentellement par un contact avec vos vêtements. Un contact accidentel avec la lame de la scie en train de tourner pourrait entraîner des blessures graves.

Retirez périodiquement la lame, nettoyez les dispositifs de protection supérieur et inférieur avec du kérosène et essuyez-la, ou soufflez la lame avec de l'air comprimé. Un entretien préventif et le bon fonctionnement du dispositif de protection réduiront la probabilité d'un accident.

AVERTISSEMENTS SUPPLÉMENTAIRES RELATIFS À LA SÉCURITÉ









⚠ AVERTISSEMENT





- Des travaux de ponçage, de sciage, de meulage et de perçage réalisés avec un outil électrique et d'autres travaux de construction peuvent produire des poussières qui, selon l'État de Californie, contiennent des produits chimiques qui sont des causes reconnues de cancer, de malformation congénitale ou d'autres problèmes reproductifs. Ces produits chimiques sont, par exemple :
 - du plomb provenant de peinture au plomb,
 - des cristaux de silices provenant des briques et du ciment, et d'autres produits de maçonnerie, et
 - de l'arsenic et du chrome provenant de bois de construction traité par des produits chimiques.

- Le niveau de risque causé par de telles expositions varie en fonction de la fréquence de ces types de travaux. Pour réduire votre exposition à ces produits chimiques :
 - Travaillez toujours dans un endroit bien ventilé.
 - Portez un équipement de sécurité approprié tel que certains masques conçus spécialement pour filtrer les particules microscopiques.
 - Évitez tout contact prolongé avec la poussière produite par le ponçage, le sciage, le meulage, le perçage et d'autres activités de construction avec des outils électriques. Portez des vêtements de protection et lavez les surfaces de la peau ayant été exposées avec de l'eau et du savon. Si vous laissez de la poussière pénétrer dans votre bouche ou dans vos yeux, ou rester sur votre peau, cela risquerait de promouvoir l'absorption de produits chimiques toxiques.







SYMBOLES

IMPORTANT : Les symboles suivants peuvent figurer sur votre outil. Familiarisez-vous avec eux et apprenez leur signification. En comprenant ces symboles, vous serez en mesure de faire fonctionner cet outil de façon adéquate et sécuritaire.

Symbole	Nom	Forme au long et explication
V	Volts	Tension
A	Ampères	Courant
Hz	Hertz	Fréquence (cycles par seconde)
W	Watt	Puissance
kg	Kilogrammes	Poids
min	Minutes	Durée
s	Secondes	Durée
Wh	Watheures	Capacité de la pile
Ah	Ampères-heures	Capacité de la pile
Ø	Diamètre	Taille des forets, des meules, etc.
n_0	Vitesse à vide	Vitesse de rotation à vide
n	Vitesse nominale	Vitesse maximale atteignable
.../min	Nombre de tours ou mouvements de va-et-vient par minute (tr/min)	Tours, coups, vitesse périphérique, orbites, etc., par minute
O	Position d'arrêt	Vitesse nulle, couple nul...
1,2,3,... I,II,III,	Réglages du sélecteur	Réglages de la vitesse, du couple ou de la position. Plus le nombre est élevé, plus la vitesse est grande.
	Sélecteur à réglage continu avec mode d'arrêt	La vitesse augmente à partir du réglage 0
	Flèche	L'activation se fait dans le sens de la flèche
	Courant alternatif (c.a.)	Type de courant ou caractéristique de courant
	Courant continu (c.c.)	Type de courant ou caractéristique de courant
	Courant alternatif ou continu (c.a./c.c.)	Type de courant ou caractéristique de courant
	Outil de classe II	Désigne les outils de construction à double isolation
	Mise à la terre de protection	Borne de mise à la terre
	Label du programme de recyclage des piles au lithium-ion de la RBRC	Désigne le programme de recyclage des piles au lithium-ion

Symbole	Nom	Forme au long et explication
	Lisez les instructions	Invite l'utilisateur à lire le manuel
	Symbole du port de lunettes de sécurité	Alerte l'utilisateur pour lui demander de porter une protection des yeux.
	Utilisez toujours les deux mains	Alerte l'utilisateur pour lui demander de toujours tenir l'outil avec les deux mains
	N'utilisez pas le dispositif de protection pour les opérations de tronçonnage	Alerte l'utilisateur pour lui demander de ne pas utiliser le dispositif de protection pour les opérations de tronçonnage

SYMBOLES (RENSEIGNEMENTS EN MATIÈRE D'HOMOLOGATION)

Symbole	Forme au long et explication
	Ce symbole indique que cet outil est répertorié par Underwriters Laboratories.
	Ce symbole indique que cet outil est reconnu par Underwriters Laboratories.
	Ce symbole indique que cet outil est répertorié par Underwriters Laboratories et qu'il est conforme aux normes américaines et canadiennes.
	Ce symbole indique que cet outil est répertorié par l'Association canadienne de normalisation.
	Ce symbole indique que cet outil est répertorié par l'Association canadienne de normalisation et qu'il est conforme aux normes américaines et canadiennes.
	Ce symbole indique que cet outil est répertorié par Intertek Testing et qu'il est conforme aux normes américaines et canadiennes.

DESCRIPTIONS FONCTIONNELLES ET SPÉCIFICATIONS

Scie circulaire

Fig. 1a

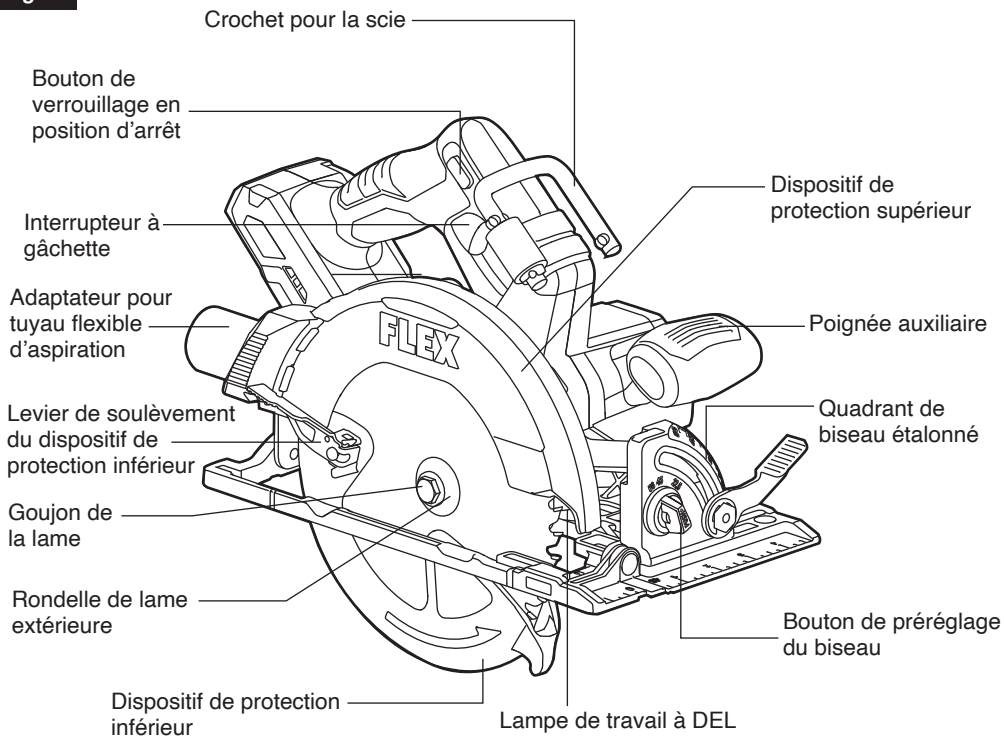
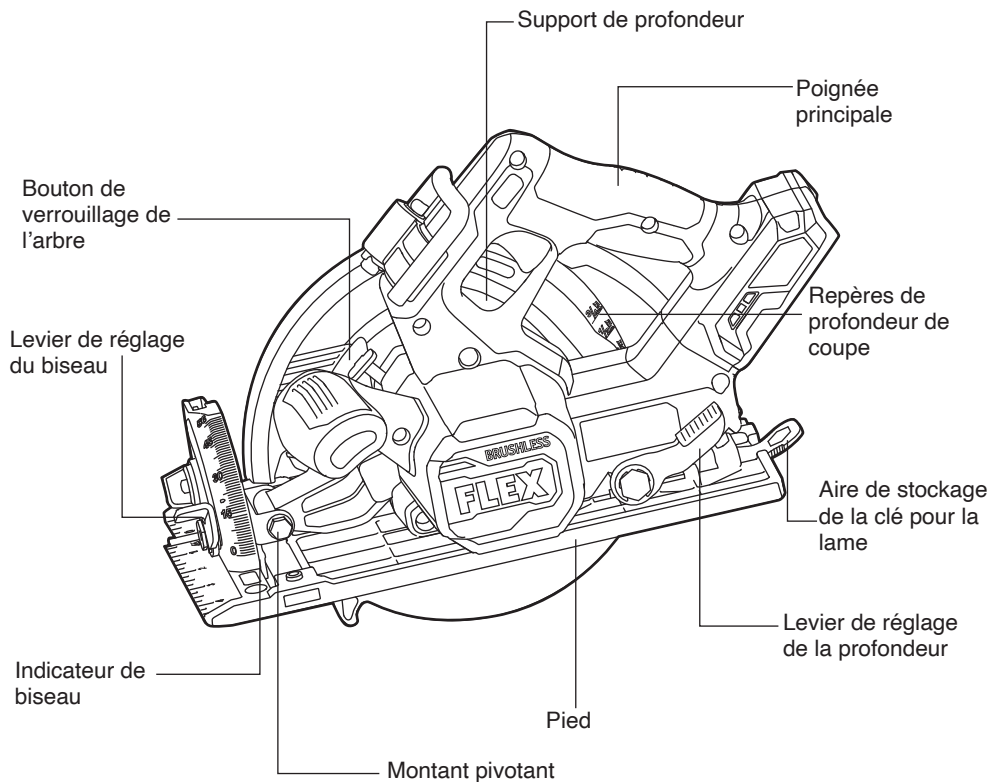


Fig. 1b

Modèle N°	FX2141
Tension nominale	24 V c.c.
Vitesse à vide	5800 tr/min
Capacité de biseau	0 – 56°
Lame	184 mm / 7-1/4 po
Trou pour l'arbre de la lame	16 mm / 5/8 po
Profondeur de coupe à 90°	66 mm / 2-5/8 po
Profondeur de coupe à 45°	48 mm / 1-7/8 po
Profondeur de coupe à 56°	38 mm / 1-1/2 po
Température d'utilisation recommandée	-20 – 40° C / -4 – 104° F
Température de stockage recommandée	< 50° C / < 122° F

ASSEMBLAGE

⚠ AVERTISSEMENT Détachez la pile de l'outil avant d'effectuer tout assemblage, réglage ou changement d'accessoire. Ces mesures de sécurité préventives réduisent le risque de démarrage accidentel de l'outil.

COMMENT ATTACHER / DÉTACHER LE BLOC-PILES (FIG. 2)

Comment attacher le bloc-piles :

Alignez les nervures surélevées du bloc-piles sur les rainures dans l'outil, puis faites glisser le bloc-piles sur l'outil.

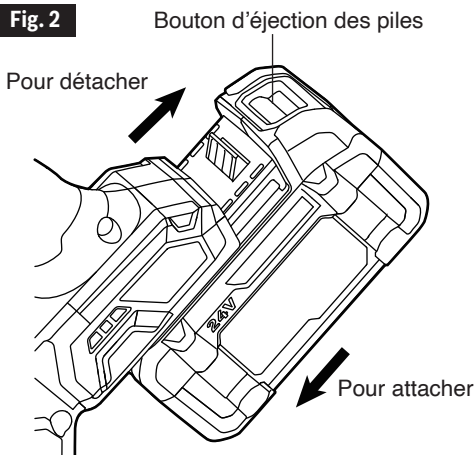
AVIS : Assurez-vous que le loquet de verrouillage sur le bloc-piles s'enclenche en place et que le bloc-piles est sécurisé sur l'outil avant de commencer l'opération.

AVIS : Lorsque vous placez le bloc-piles sur l'outil, assurez-vous que la nervure surélevée du bloc-piles est alignée sur la rainure à l'intérieur de l'outil et que les loquets de verrouillage s'enclenchent à leur place de façon appropriée. Une fixation inappropriée du bloc-piles pourrait causer des dommages aux composants internes.

Comment détacher le bloc-piles :

Appuyez sur le bouton d'éjection des piles qui est situé à l'avant du bloc-piles pour éjecter le bloc-piles. Tirez sur le bloc-piles et retirez-le de l'outil.

Fig. 2



⚠ AVERTISSEMENT Les outils alimentés par des piles sont toujours prêts à fonctionner. Par conséquent, retirez le bloc-piles lorsque l'outil n'est pas utilisé ou lorsque vous le transportez à vos côtés.

ATTACHEMENT DE LA LAME (FIG. 3)

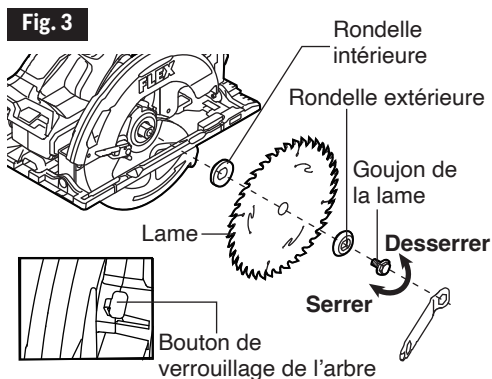
⚠ AVERTISSEMENT Détachez le bloc-piles de l'outil avant d'effectuer tout assemblage ou réglage, ou de changer d'accessoire. Ces mesures de sécurité préventives réduisent le risque de démarrage accidentel de l'outil.

⚠ AVERTISSEMENT N'utilisez que des lames de scie de 7-1/4 po d'une vitesse de 5 800 tr/min ou plus. N'utilisez JAMAIS une lame dont l'épaisseur est telle qu'elle empêche la rondelle extérieure de la lame de s'engager avec le côté plat de la broche. L'utilisation d'une lame qui n'a pas été conçue pour la scie peut entraîner des blessures graves et des dommages matériels.

- Allez chercher la clé pour la lame à l'endroit où elle est rangée.
- Appuyez sur le bouton de verrouillage de l'arbre et tournez la clé pour la lame jusqu'à ce que le bouton de verrouillage de l'arbre s'enclenche. L'arbre de la scie est maintenant verrouillé. Continuez à appuyer sur le bouton de verrouillage de l'arbre, tournez la clé pour la lame dans le sens inverse des aiguilles d'une montre et retirez le goujon de la lame et la rondelle extérieure.
- Assurez-vous que les dents de la scie et la flèche sur la lame sont orientées dans le même sens que celui de la flèche sur le dispositif de protection inférieur.

- d. Rétractez le dispositif de protection inférieur aussi loin que possible contre le dispositif de protection supérieur. Pendant que vous rétractez le dispositif de protection inférieur, vérifiez le fonctionnement et l'état du ressort du dispositif de protection inférieur.
- e. Faites glisser la lame à travers la fente dans le pied et montez-la contre la rondelle intérieure sur l'arbre. Assurez-vous que le grand diamètre des rondelles intérieure et extérieure est au ras de la lame.
- f. Réinstallez la RONDELLE EXTÉRIEURE. Serrez d'abord le goujon de la lame à la main, puis serrez le goujon de la lame de 1/8 de tour (45°) en utilisant la clé pour la lame fournie.

AVIS : N'utilisez pas une clé pour lame avec une poignée longue, car cela risquerait de causer un serrage excessif du goujon de la lame.



AVIS : Nettoyez toujours la broche, le dispositif de protection supérieur et le dispositif de protection inférieur pour en détacher toutes les saletés ainsi que la sciure produite par le sciage.

ATTACHEMENT DE L'ADAPTATEUR DU TUYAU FLEXIBLE D'ASPIRATION (FIG. 4)

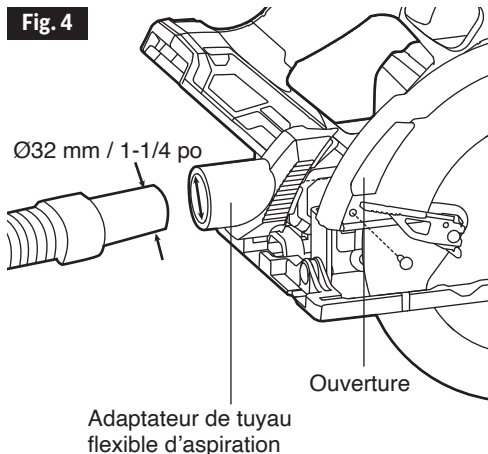
⚠ AVERTISSEMENT Portez toujours un masque antipoussière pendant cette opération.

Alignez l'adaptateur du tuyau flexible d'aspiration sur l'ouverture dans le dispositif de protection supérieur, et fixez l'adaptateur du tuyau flexible d'aspiration à sa place en utilisant une vis (fournie).

Pour extraire la poussière de sciage qui a été produite pendant la coupe, connectez un aspirateur approprié avec un tuyau flexible d'aspiration de 1-1/4 po à l'adaptateur du tuyau flexible d'aspiration.

Assurez-vous que le tuyau flexible d'aspiration peut bouger librement et qu'il est assez long pour réaliser la coupe. Si nécessaire, demandez à une autre personne de déplacer l'aspirateur et le tuyau flexible pendant que vous réalisez la coupe.

Avant de commencer une coupe, assurez-vous que la circulation d'air à travers le dispositif de protection supérieur n'est pas obstruée.



RÉGLAGES

RÉGLAGE DE LA PROFONDEUR (FIG. 5A ET 5B)

Retirez le bloc-piles de la scie circulaire.

- Desserrez le levier de réglage de la profondeur en le poussant vers le haut, en direction du carter du moteur.
- Maintenez le pied en bas d'une main et utilisez la poignée pour élever ou abaisser la scie.
- Alignez l'encoche du support de profondeur sur le repère de profondeur de coupe désiré sur le dispositif de protection supérieur et serrez le levier de réglage de la profondeur.

Vérifier la profondeur sélectionnée. Pas plus de la longueur d'une dent de la lame devrait dépasser en dessous du matériau à couper afin de réduire le risque d'éclatement du bois.

AVIS : Les quatre profondeurs de coupe les plus courantes sont marquées sur le dispositif de protection supérieur. Ces réglages aident l'opérateur à régler rapidement la scie pour couper des matériaux de profondeur de $\frac{1}{4}$ po, $\frac{1}{2}$ po, $\frac{3}{4}$ po et 2xPLY, respectivement, tout en laissant une longueur de dent dépasser en dessous du matériau.

Fig. 5A

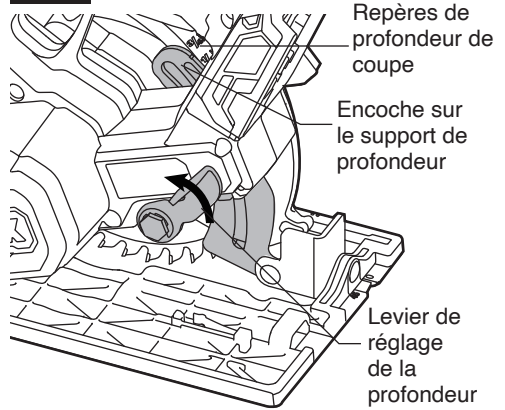
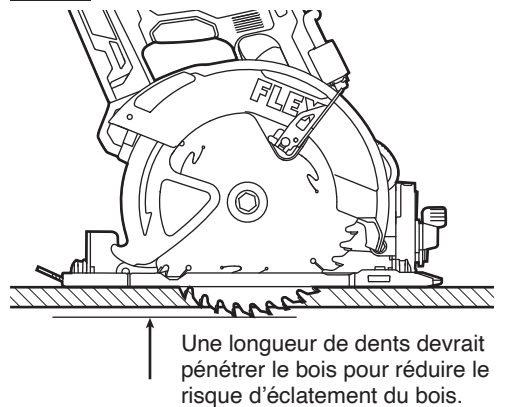


Fig. 5B

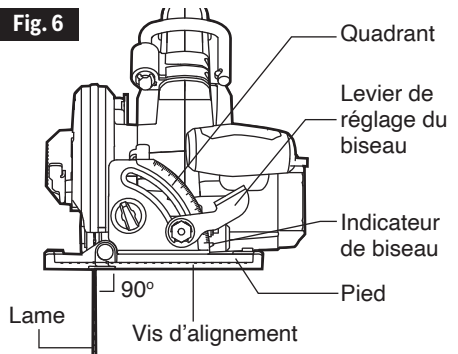


VÉRIFICATION DE L'ANGLE DE COUPE DE 90° (FIG. 6)

Retirez le bloc-piles de la scie circulaire.

- Réglez le pied sur le réglage de profondeur de coupe maximum. Desserrez le levier de réglage du biseau, réglez l'indicateur de biseau à 0° sur le quadrant, serrez le levier et vérifiez avec une équerre que l'angle entre la lame et le plan inférieur du pied est bien de 90°.
- Utilisez une clé hexagonale de 2,5 mm (non incluse) pour effectuer des réglages, si nécessaire, en tournant la petite vis d'alignement du côté inférieur du pied.

Fig. 6



RÉGLAGE DU BISEAU (FIG. 7)

Retirez le bloc-piles de la scie circulaire.

Votre outil est pourvu d'un bouton de pré-réglage du biseau et d'un levier de réglage du biseau à l'avant de la scie permettant de contrôler le réglage de l'angle du biseau.

AVIS : Le bouton de pré-réglage du biseau de votre scie a été réglé sur 56° à l'usine.

Le bouton de pré-réglage du biseau permet à l'opérateur de régler rapidement le biseau sur 22,5°, 45° et 56°.

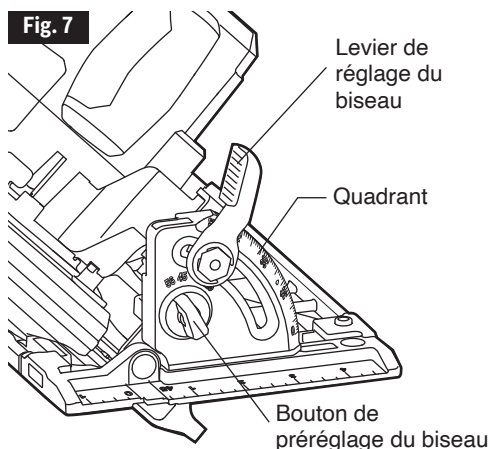
Pour utiliser le bouton de pré-réglage du biseau

- Appuyez sur le bouton de pré-réglage du biseau et tournez-le pour le régler sur l'angle désiré – 22,5°, 45° ou 56°.
- Relâchez le bouton de pré-réglage du biseau. Il servira de butée lors du réglage de l'angle de biseau.

Pour utiliser le levier de réglage du biseau

Après que le bouton de pré-réglage du biseau aura été réglé, l'opérateur pourra régler rapidement l'angle du biseau sur l'une des valeurs pré-réglées (22,5°, 45° ou 56°), ou il pourra sélectionner un angle de biseau désiré dans la plage des angles sélectionnée.

- Desserrez le levier de réglage du biseau.
- Inclinez la scie aussi loin que possible jusqu'à ce qu'elle soit bloquée par le bouton de



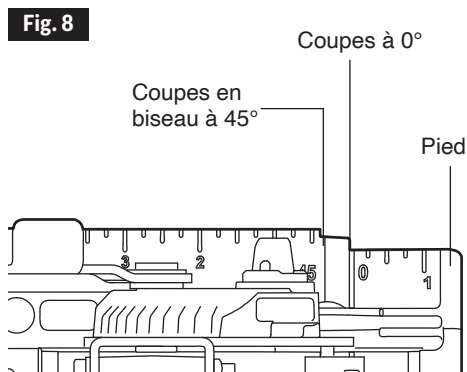
pré-réglage du biseau à 22,5°, 45° ou 56°. Si un autre angle de biseau a été sélectionné à l'intérieur de la plage d'angles possibles (p. ex., 22,5 – 45°), inclinez la scie jusqu'à ce que l'indicateur de biseau soit aligné sur le repère de l'angle désiré sur le quadrant.

- Serrez le levier de réglage du biseau.

⚠ AVERTISSEMENT En raison du montant accru d'engagement de la lame dans l'ouvrage et de la stabilité réduite du pied, la lame risque de se coincer. Continuez à tenir fermement la scie avec le pied solidement sur l'ouvrage.

GUIDE DE COUPE (FIG. 8)

Pour une coupe à 0° et une coupe en biseau à 45°, utilisez les repères respectifs sur le pied pour vous guider. Le guide de coupe indiquera une ligne de coupe approximative. Effectuez des coupes d'échantillons dans des chutes de bois pour vérifier la ligne de coupe réelle. Cela sera utile en raison du nombre de types et d'épaisseurs de lames différents disponibles. Afin de garantir un minimum d'éclats sur le bon côté du matériau à couper, placez le bon côté vers le bas.



CROCHET POUR LA SCIE (FIG. 9)

Votre outil est équipé d'un crochet. Utilisez le crochet pour suspendre la scie à un chevron ou à une poutre, ou à une autre structure sécurisée similaire, pour un rangement temporaire pendant le travail. Taille de bois recommandée pour supporter la scie avec le crochet : 2x4.

Pour l'utiliser, soulevez le crochet jusqu'à ce qu'il s'enclenche dans la position ouverte.

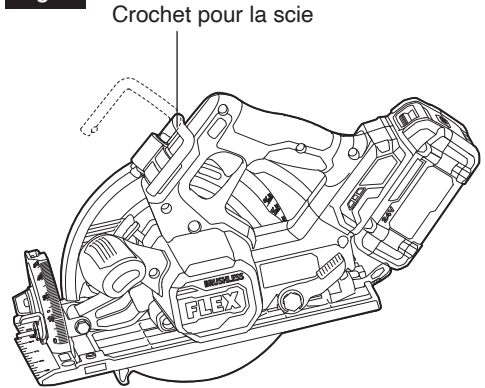
Lorsque vous ne vous en servez pas, abaissez toujours le crochet jusqu'à ce qu'il s'enclenche dans la position fermée.

⚠ AVERTISSEMENT Lorsque la scie est suspendue par le crochet, ne secouez pas la scie ou l'objet auquel elle est suspendue. N'accrochez pas la scie à un fil électrique. Assurez-vous que la structure utilisée pour suspendre la scie est solide. Sinon, des blessures ou des dommages matériels sont possibles.

Utilisez seulement le crochet pour y suspendre la scie. L'utilisation du crochet pour y accrocher un quelconque autre objet pourrait entraîner des blessures graves.

N'utilisez pas le crochet pour atteindre un quelconque autre objet et ne l'utilisez pas non plus pour soutenir votre poids dans quelque situation que ce soit.

Fig. 9



Crochet pour la scie

INSTRUCTIONS D'UTILISATION

⚠ AVERTISSEMENT Afin de réduire les risques d'incendie, de blessures et de dommages aux produits dus à un court-circuit, ne plongez jamais votre outil, votre bloc-piles ou votre chargeur dans un liquide, et ne laissez jamais un liquide circuler à l'intérieur de ceux-ci. Les liquides corrosifs ou conducteurs, tels que l'eau de mer, certains produits chimiques industriels et l'eau de Javel ou les produits contenant de l'eau de Javel, etc. peuvent provoquer un court-circuit.

⚠ AVERTISSEMENT Si des pièces sont endommagées ou manquantes, n'utilisez pas ce produit tant que les pièces n'ont pas été remplacées. L'utilisation de ce produit avec des pièces endommagées ou manquantes pourrait entraîner des blessures graves

Cette scie circulaire ne doit être utilisée qu'avec les blocs-piles et les chargeurs indiqués ci-dessous :

Bloc-piles				Chargeur	
2.5Ah	5Ah	8Ah	12Ah		
FLEX FX0111	FLEX FX0121	FLEX FX0221	FLEX FX0231	FLEX FX0411	FLEX FX0421

AVIS : Veuillez consulter les modes d'emploi du bloc-piles et du chargeur pour obtenir des informations détaillées sur leur fonctionnement.

INTERRUPTEUR (FIG. 10)

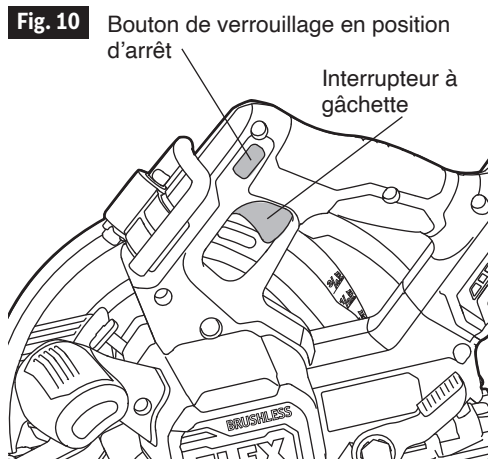
Pour mettre l'outil en marche, appuyez sur le bouton de verrouillage en position d'arrêt avec votre pouce et maintenez-le enfoncé, puis appuyez sur la gâchette avec un autre doigt. Relâchez le bouton de verrouillage en position d'arrêt et continuez à appuyer sur la gâchette pour continuer à utiliser l'outil.

Pour arrêter l'outil, relâchez l'interrupteur à gâchette, qui comporte un ressort, et qui reviendra donc automatiquement en position d'arrêt.

Votre scie doit fonctionner à pleine vitesse AVANT de commencer la coupe, et elle ne doit être arrêtée qu'APRÈS avoir terminé la coupe. Pour prolonger la durée de vie de l'interrupteur, n'ouvrez pas et ne fermez pas l'interrupteur pendant la coupe.

⚠ AVERTISSEMENT Ne tentez pas de modifier cet outil ou de créer des accessoires non recommandés pour l'utilisation de cet outil. Toute altération ou modification de ce type constitue une utilisation abusive et peut entraîner une situation dangereuse pouvant causer des blessures graves.

⚠ AVERTISSEMENT Pour éviter un démarrage accidentel qui pourrait provoquer des blessures graves, retirez toujours le bloc-piles de l'outil lorsque vous assemblez des pièces.

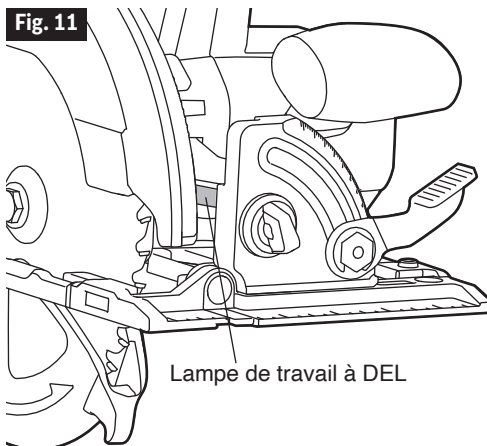


LAMPE DE TRAVAIL À DEL (FIG. 11)

Votre outil est pourvu de la lampe de travail à DEL. Elle fournit plus de lumière sur la lame de la scie et la surface de l'ouvrage pour permettre une utilisation dans des endroits faiblement éclairés.

La lampe de travail à DEL s'allumera automatiquement lorsque vous comprimerez légèrement l'interrupteur à gâchette avant que l'outil ne commence à fonctionner. Elle s'éteindra environ 10 secondes après le relâchement de l'interrupteur à gâchette.

- Lorsque l'outil et/ou le bloc de piles deviennent surchargés ou trop chauds, les capteurs internes éteignent l'outil. Si l'outil et/ou le bloc de piles sont surchargés, la lampe à DEL clignote rapidement. Laissez l'outil reposer un moment ou placez l'outil et le bloc-piles séparément sous un flux d'air pour les refroidir.
- La lampe à DEL clignotera plus lentement pour indiquer que le bloc-piles est presque complètement déchargé. Rechargez alors le bloc-piles.



- Si la lampe à DEL ne s'allume pas lorsque vous mettez l'outil en marche, ou si elle s'éteint tout à coup pendant son fonctionnement, veuillez contacter le service à la clientèle ou un centre de service après-vente agréé pour obtenir de l'assistance.

COUPES GÉNÉRALES

Tenez toujours la scie par la poignée principale d'une main et la poignée auxiliaire de l'autre. Maintenez une prise ferme avec les deux mains sur la scie et positionnez vos bras pour résister aux forces de rebond. Placez votre corps d'un côté ou de l'autre de la lame, mais pas dans l'alignement de celle-ci.

Assurez-vous que votre corps est orienté dans le sens opposé à celui de l'adaptateur du tuyau flexible d'aspiration.

⚠ AVERTISSEMENT **Veillez toujours à ce qu'aucune de vos mains n'enlève la liberté de mouvement du dispositif de protection inférieur.** Maintenez une prise ferme et actionnez l'interrupteur avec une action décisive. Ne forcez jamais la scie. Utilisez une pression légère et continue

⚠ AVERTISSEMENT **Après avoir effectué une coupe et relâché la gâchette, prenez**

conscience du temps nécessaire pour que la lame s'arrête complètement pendant le ralentissement. Ne laissez pas la scie frôler votre jambe ou votre côté ; comme le dispositif de protection inférieur est rétractable, il pourrait s'accrocher à vos vêtements et exposer la lame. Tenez compte des expositions nécessaires de la lame qui existent dans les zones du dispositif de protection supérieur et du dispositif de protection inférieur.

Pour reprendre la coupe après une interruption de la coupe, remettez la scie en marche et attendez que la lame ait atteint sa pleine vitesse, pénétrés à nouveau lentement dans le matériau et reprenez la coupe.

Quand on coupe contre le grain, les fibres du bois ont tendance à se déchirer et à se soulever. En avançant lentement la scie, on minimise cet effet. Pour une coupe finale, il est recommandé d'utiliser une lame de coupe transversale ou une lame pour coupe d'onglet.

OUTIL NON CONÇU POUR COUPER DE LA MAÇONNERIE / DU MÉTAL

C'est outil n'est conçu que pour couper le bois ; il n'est pas conçu pour être utilisé avec des disques de coupe de métal ou de maçonnerie.

⚠ AVERTISSEMENT N'utilisez pas de disques de coupe abrasifs avec des scies circulaires. La poussière abrasive pourrait affecter négativement le fonctionnement du dispositif de protection inférieur.

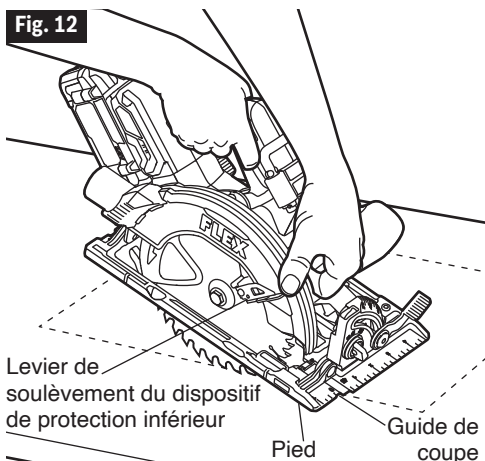
COUPES EN PLONGÉE (FIG. 12)

Retirez le bloc-piles de la scie circulaire avant de procéder à des réglages.

- Réglez la profondeur de coupe en fonction de l'épaisseur du matériau à couper. Attachez le bloc-piles.
- Tenez la poignée principale de la scie d'une main, inclinez la scie vers l'avant et posez l'avant de la plaque du pied sur le matériau à couper. Alignez le repère de 0° du pied sur la ligne que vous avez tracée. Utilisez le levier de soulèvement du dispositif de protection inférieur pour soulever le dispositif de protection et tenez l'avant de la plaque du pied avec l'autre main (Fig. 12).

Positionnez la scie de manière à ce que la lame ne fasse que dégager le matériau à couper. Faites démarrer la scie et, une fois qu'elle a atteint sa vitesse maximale, abaissez progressivement l'extrémité arrière de la scie en utilisant l'extrémité avant du pied comme point d'articulation.

Une fois que la plaque du pied est à plat sur la surface qui est en train d'être coupée, relâchez le dispositif de protection inférieur et déplacez la main qui tient l'avant de la plaque du pied pour tenir la poignée auxiliaire. Poursuivez la coupe vers l'avant jusqu'à la fin de la coupe.



⚠ AVERTISSEMENT Laissez la lame s'arrêter complètement avant de soulever la scie de la coupe. Ne tirez jamais non plus la scie vers l'arrière, car la lame sortira du matériau et il y aura un **CHOC EN RETOUR**. Retournez la scie et terminez la coupe de la manière habituelle, en sciant vers l'avant. Si des coins de votre coupe en plongée ne sont pas complètement coupés, utilisez une scie sauteuse ou une scie à main pour finir les coins.

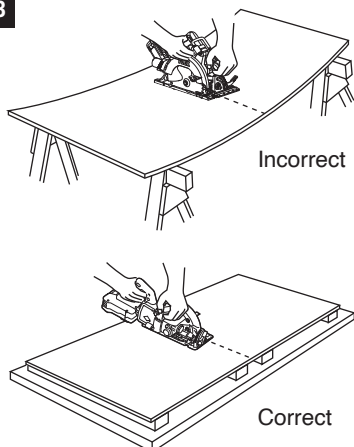
COUPE DE GRANDES FEUILLES DE MATÉRIAU (FIG. 13)

Les grandes feuilles de matériau et les planches très longues peuvent s'affaisser ou se plier, selon leur support. Si vous essayez de couper sans mettre à niveau et soutenir correctement la pièce à couper, la lame aura tendance à se bloquer, ce qui provoquera un CHOC EN RETOUR et une charge supplémentaire sur le moteur.

Soutenez le panneau ou la planche près de la zone de découpe, comme indiqué (Fig. 13). Veillez à régler la profondeur de la coupe de manière à ne couper que la feuille ou le panneau, et non la table ou le banc de travail.

Les pièces de 2x4 utilisées pour soulever et soutenir l'ouvrage doivent être positionnées de manière à ce que les côtés larges soutiennent l'ouvrage et reposent sur la table ou sur le banc. Ne soutenez pas l'ouvrage avec les côtés étroits, car il s'agit d'une disposition instable. Si la feuille ou la planche à découper est trop grande pour une table ou un banc de travail, utilisez les pièces de soutien de 2x4 sur le sol et fixez-les de façon sécurisée.

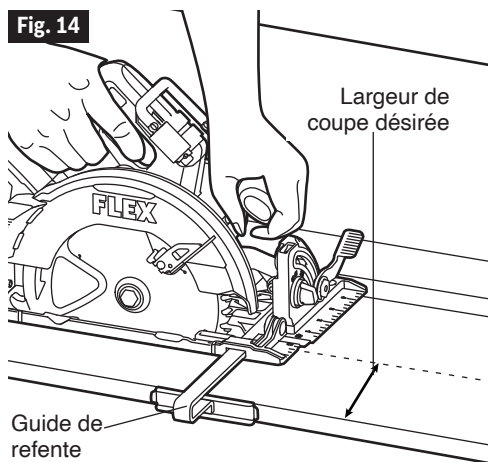
Fig. 13



COUPES DE REFENTE (FIG. 14)

La lame fournie avec votre scie est conçue à la fois pour les coupes transversales et pour les coupes de refente. La coupe de refente consiste à couper dans le sens de la longueur en suivant le fil du bois. Les coupes de refente sont faciles à réaliser avec un guide de refente (Fig. 14). Un guide de refente est disponible en tant qu'accessoire (modèle FT211, non inclus). Pour fixer un tel guide, insérez le guide dans les fentes du pied à la largeur souhaitée, comme indiqué, et fixez-le avec l'écrou de verrouillage (fourni avec le guide de refente).

Fig. 14

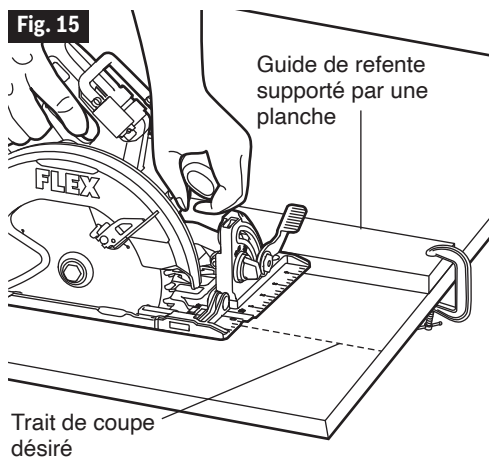


GUIDE DE REFENTE SUPPORTÉ PAR UNE PLANCHE (FIG. 15)

Lorsque vous effectuez des coupes de refente sur de grandes feuilles de matériau, il se peut que le guide de refente ne permette pas de faire une coupe de la largeur désirée.

Attachez ou clouez un morceau de bois d'œuvre droit de 25 mm / 1 po sur le matériau afin de servir de guide (Fig. 15). Utilisez le côté droit du pied contre le guide supporté par une planche.

⚠ AVERTISSEMENT Assurez-vous que les brides de fixation n'entravent pas le libre mouvement de la scie.



ENTRETIEN

⚠ AVERTISSEMENT Pour ne pas risquer de blessures graves, retirez toujours le bloc-piles de l'outil lorsque vous le nettoyez ou effectuez une quelconque opération d'entretien sur celui-ci.

SERVICE APRÈS-VENTE

⚠ AVERTISSEMENT Un entretien préventif effectué par du personnel non autorisé pourrait entraîner un placement inapproprié de fils et composants internes, ce qui pourrait causer un danger grave. Nous recommandons que tout l'entretien des outils soit effectué par un centre de service usine FLEX ou un poste de service FLEX agréé.

ENTRETIEN GÉNÉRAL

⚠ AVERTISSEMENT Lors de l'entretien, n'utilisez que des pièces de rechange identiques. L'utilisation de toute autre pièce pourrait créer un danger ou endommager le produit. Inspectez périodiquement l'ensemble du produit pour détecter les pièces endommagées, manquantes ou desserrées, telles que les vis, les écrous, les boulons, les capuchons, etc. Serrez fermement toutes les fixations et tous les capuchons, et n'utilisez pas ce produit tant que toutes les pièces manquantes ou endommagées n'ont pas été remplacées. Veuillez contacter le service clientèle ou un centre de service agréé pour obtenir de l'assistance.

NETTOYAGE

⚠ AVERTISSEMENT L'outil peut être nettoyé plus efficacement avec de l'air sec comprimé.

Portez toujours des lunettes de protection lorsque vous nettoyez des outils à l'air comprimé. Les ouvertures de ventilation et les leviers de commande doivent être maintenus propres et exempts de corps étrangers. Ne tentez pas de nettoyer en introduisant des objets pointus dans les ouvertures.

⚠ AVERTISSEMENT Certains agents de nettoyage et solvants endommagent les pièces en plastique. Citons notamment : l'essence, le tétrachlorure de carbone, les solvants de nettoyage au chlore, l'ammoniac et des détergents domestiques qui contiennent de l'ammoniac.

RANGEMENT

Rangez l'outil à l'intérieur, dans un endroit qui est hors de portée des enfants. Maintenez-le à bonne distance des agents corrosifs.

ENTRETIEN DES LAMES

Les lames s'émousent même si vous ne coupez que du bois d'œuvre ordinaire. Si vous constatez que vous devez faire pression sur la scie pour qu'elle coupe au lieu de la guider simplement pendant la coupe, il est possible que la lame soit émoussée ou enduite de poix.

Lorsque vous voulez nettoyer la lame pour en détacher la gomme et la poix, débranchez le bloc-piles et retirez la lame.

Rappelez-vous que les lames sont conçues pour couper ; par conséquent, manipulez-les avec précaution. Portez des gants et essuyez la lame avec du kérosène ou un solvant similaire pour en détacher la gomme et la poix.

À moins que vous n'ayez une grande expérience de l'affûtage des lames, nous vous recommandons de ne pas essayer.

ACCESSOIRES

⚠ AVERTISSEMENT L'utilisation de tous autres accessoires non mentionnés dans ce mode d'emploi peut créer un danger.

Clé pour la lame

Lame

GARANTIE LIMITE DE CINQ ANS

Chervon North America, Inc. (« Vendeur ») garantit uniquement à l'acheteur d'origine que tous les produits FLEX de 24 V seront exempts de tout défaut de matériel ou de fabrication pendant une période de cinq ans à compter de la date d'achat lorsque l'acheteur d'origine enregistre le produit dans les 30 jours suivant la date d'achat au détail et conserve son reçu comme preuve de l'achat. LA PÉRIODE DE GARANTIE LIMITÉE DE CINQ ANS EST CONDITIONNÉE PAR L'ENREGISTREMENT DU PRODUIT DANS LES 30 JOURS SUIVANT L'ACHAT ET NE S'APPLIQUE QU'AUX OUTILS, PILES ET CHARGEURS FLEX DE 24 V. Si l'acheteur d'origine n'enregistre pas son produit dans les 30 jours, la garantie limitée susmentionnée s'applique pour une durée de trois ans. L'enregistrement du produit peut être effectué en ligne à l'adresse suivante : www.registermyflex.com.

Outils de 24 V : Garantie limitée de cinq ans avec l'enregistrement

Piles et chargeurs de 24 V : Garantie limitée de cinq ans avec l'enregistrement

Produits filaires FLEX de la génération précédente de 12 V et de 20 V : Garantie limitée d'un an; pas de bénéfices résultant de l'enregistrement

Accessoires et attachements : Pas de garantie

LA SEULE OBLIGATION DU VENDEUR ET VOTRE SEUL RECOURS dans le cadre de cette garantie limitée de cinq ans et, dans la mesure permise par la loi, toute garantie ou condition impliquée par la loi, sera la réparation ou le remplacement des pièces, sans frais, qui sont défectueuses en termes de matériel ou de fabrication et qui n'ont pas été utilisées de façon inappropriée, manipulées avec négligence ou réparées par des personnes autres qu'un concessionnaire réparateur autorisé de FLEX. Cette garantie ne couvre pas les défaillances des pièces dues à une usure normale. Pour faire une réclamation au titre de la garantie, renvoyez le produit complet, transport payé, à un concessionnaire réparateur autorisé de FLEX. Pour identifier des concessionnaires réparateurs autorisés de FLEX, veuillez vous rendre sur le site www.registermyflex.com ou téléphonez au 1-833-FLEX-496 (1-833-353-9496).

La présente garantie limitée de cinq ans ne s'applique pas aux accessoires, attachements ou pièces.

Toute garantie implicite applicable à un produit est limitée dans le temps à une durée égale à la durée des garanties expresse applicables à ce produit, comme indiqué au premier paragraphe ci-dessus. Étant donné que certains États des États-Unis et certaines provinces canadiennes n'autorisent pas la limitation de la durée d'une garantie implicite, la limitation ci-dessus peut ne pas s'appliquer.

FLEX n'est pas responsable des dommages directs, indirects, accidentels ou consécutifs. Étant donné que certains États des États-Unis et certaines provinces canadiennes n'autorisent pas la limitation de la durée d'une garantie implicite et/ou l'exclusion ou la limitation des dommages accessoires ou indirects, les limitations ou exclusions ci-dessus peuvent ne pas s'appliquer. Cette garantie limitée vous donne des droits légaux spécifiques, et vous pouvez également avoir d'autres droits qui varient selon les États des États-Unis et les provinces du Canada.

Cette garantie limitée s'applique uniquement aux produits vendus aux États-Unis d'Amérique, au Canada et dans le Commonwealth de Porto Rico. Pour connaître la couverture de la garantie dans les autres pays, contactez votre revendeur FLEX local.

© Chervon North America, 1203 E. Warrenville Rd., Naperville, IL 60563

www.flexpowertools.com





www.registermyflex.com

1-833-FLEX-496 (1-833-353-9496)

SÍMBOLOS DE SEGURIDAD

La finalidad de los símbolos de seguridad es atraer la atención del usuario hacia posibles peligros. Los símbolos de seguridad y las explicaciones que los acompañan merecen que usted preste una atención detenida y logre una comprensión profunda. Las advertencias con símbolo no eliminan por sí mismas ningún peligro. Las instrucciones y las advertencias que dichas instrucciones dan no son sustitutos de las medidas adecuadas de prevención de accidentes.

⚠ ADVERTENCIA Asegúrese de leer y entender todas las instrucciones de seguridad incluidas en este manual del operador, incluyendo todos los símbolos de alerta de seguridad, tales como “**PELIGRO**”, “**ADVERTENCIA**” y “**PRECAUCIÓN**”, antes de utilizar esta herramienta. Si no se siguen todas las instrucciones que se indican a continuación, es posible que el resultado sea descargas eléctricas, incendio y/o lesiones corporales graves.

Las definiciones que aparecen a continuación describen el nivel de gravedad de cada palabra de aviso. Por favor, lea el manual y preste atención a estos símbolos.	
	Este es el símbolo de alerta de seguridad. Se utiliza para alertarle a usted de posibles peligros de lesiones corporales. Obedezca todos los mensajes de seguridad que sigan a este símbolo para evitar posibles lesiones o muerte.
	PELIGRO indica una situación peligrosa que, si no se evita, causará la muerte o lesiones graves.
	ADVERTENCIA indica una situación peligrosa que, si no se evita, podría causar la muerte o lesiones graves.
	PRECAUCIÓN, cuando se utiliza con el símbolo de alerta de seguridad, indica una situación peligrosa que, si no se evita, causará lesiones leves o moderadas.

Mensajes de prevención e información de daños

Estos mensajes ofrecen al usuario información e/o instrucciones importantes que hay que seguir para no causar daños al equipo u otros daños materiales. Cada mensaje va precedido por la palabra “**AVISO**”, como en el ejemplo que aparece a continuación:

AVISO: Es posible que ocurran daños al equipo y/o daños materiales si no se siguen estas instrucciones.



⚠ ADVERTENCIA La utilización de cualquier herramienta eléctrica puede hacer que se lancen objetos extraños hacia los ojos del operador, lo cual puede causar daños oculares graves. Antes de comenzar a utilizar una herramienta eléctrica, póngase siempre anteojos de seguridad o gafas de seguridad con escudos laterales y una careta completa cuando sea necesario. Recomendamos una máscara de seguridad de visión amplia para utilizarla sobre gafas o anteojos de seguridad estándar con escudos laterales. Utilice siempre protección ocular que esté marcada para cumplir con la norma ANSI Z87.1.

ADVERTENCIAS GENERALES DE SEGURIDAD PARA LA HERRAMIENTA ELÉCTRICA

⚠ ADVERTENCIA Lea todas las advertencias de seguridad, instrucciones, ilustraciones y especificaciones suministradas con esta herramienta eléctrica. Si no se siguen todas las instrucciones que se indican a continuación, es posible que el resultado sea descargas eléctricas, incendio y/o lesiones graves.

GUARDE TODAS LAS ADVERTENCIAS E INSTRUCCIONES PARA REFERENCIA FUTURA.

La expresión “herramienta eléctrica” que se incluye en las advertencias se refiere a su herramienta eléctrica alimentada por la red eléctrica (alámbrica) o su herramienta eléctrica alimentada por baterías (inalámbrica).

Seguridad en el área de trabajo

Mantenga el área de trabajo limpia y bien iluminada. Las áreas desordenadas u oscuras invitan a que se produzcan accidentes.

No utilice herramientas eléctricas en atmósferas explosivas, tales como las existentes en presencia de líquidos, gases o polvos inflamables. Las herramientas eléctricas generan chispas, las cuales pueden incendiar los polvos o los vapores.

Mantenga alejados a los niños y a los curiosos mientras esté utilizando una herramienta eléctrica. Las distracciones pueden hacerle perder el control de la herramienta.

Seguridad eléctrica

Los enchufes de las herramientas eléctricas deben coincidir con el tomacorriente. No modifique nunca el enchufe de ninguna manera. No utilice enchufes adaptadores con herramientas eléctricas conectadas a tierra (puestas a masa). Los enchufes sin modificar y los tomacorrientes coincidentes reducirán el riesgo de descargas eléctricas.

Evite el contacto del cuerpo con las superficies conectadas a tierra o puestas a masa, tales como tuberías, radiadores, estufas de cocina y refrigeradores. Hay mayor riesgo de que se produzcan descargas eléctricas si su cuerpo está conectado a tierra.

No exponga las herramientas eléctricas a la lluvia ni a condiciones mojadas. La entrada de agua en una herramienta eléctrica aumentará el riesgo de descargas eléctricas.

No maltrate el cable. No use nunca el cable para transportar, jalar o desenchufar la herramienta eléctrica. Mantenga el cable

alejado del calor, el aceite, los bordes afilados o las piezas móviles. Los cables dañados o enredados aumentan el riesgo de que se produzcan descargas eléctricas.

Cuando utilice una herramienta eléctrica a la intemperie, use un cable de extensión adecuado para uso a la intemperie. La utilización de un cable adecuado para uso a la intemperie reduce el riesgo de descargas eléctricas.

Si es inevitable utilizar una herramienta eléctrica en un lugar húmedo, utilice una fuente de alimentación protegida por un interruptor de circuito accionado por corriente de pérdida a tierra (GFCI, por sus siglas en inglés). El uso de un GFCI reduce el riesgo de descargas eléctricas.

Seguridad personal

Manténgase alerta, fíjese en lo que está haciendo y use el sentido común cuando utilice una herramienta eléctrica. No utilice una herramienta eléctrica mientras esté cansado o bajo la influencia de drogas, alcohol o medicamentos. Es posible que un momento de descuido mientras se estén utilizando herramientas eléctricas cause lesiones corporales graves.

Utilice equipo de protección personal. Use siempre protección ocular. Los equipos protectores, tales como una máscara antipolvo, calzado de seguridad antideslizante, casco o protección de la audición, utilizados según lo requieran las condiciones, reducirán las lesiones corporales.

Evite los arranques accidentales. Asegúrese de que el interruptor esté en la posición de apagado antes de conectar la herramienta a una fuente de alimentación y/o a un paquete de batería, levantar la herramienta o transportarla. Si se transportan herramientas eléctricas con el dedo en el interruptor o si se suministra corriente a herramientas que tengan el interruptor en la posición de encendido se invita a que se produzcan accidentes.

Retire todas las llaves de ajuste o de tuerca antes de encender la herramienta eléctrica.

Es posible que una llave de tuerca o de ajuste que esté sujeta a una pieza rotativa de la herramienta cause lesiones corporales.

No intente alcanzar demasiado lejos.

Mantenga un apoyo de los pies y un equilibrio adecuados en todo momento. Esto permitirá un mejor control de la herramienta eléctrica en situaciones inesperadas.

Vístase adecuadamente. No se ponga ropa holgada ni joyas. Mantenga el pelo y la ropa alejados de las piezas móviles. La ropa holgada, las joyas o el pelo largo pueden quedar atrapados en las piezas móviles.

Si se proporcionan dispositivos para la conexión de instalaciones de extracción y recolección de polvo, asegúrese de que dichas instalaciones se conecten y utilicen correctamente. El uso de recolección de polvo puede reducir los peligros relacionados con el polvo.

No deje que la familiaridad obtenida con el uso frecuente de las herramientas le haga volverse complaciente e ignorar los principios de seguridad de las herramientas. Una acción descuidada puede causar lesiones graves en una fracción de segundo.

Uso y cuidado de la herramienta eléctrica

No fuerce la herramienta eléctrica. Utilice la herramienta eléctrica correcta para la aplicación que vaya a realizar. La herramienta correcta hará el trabajo mejor y con más seguridad a la capacidad nominal para la que fue diseñada.

No utilice la herramienta eléctrica si el interruptor no la enciende o apaga. Cualquier herramienta eléctrica que no se pueda controlar con el interruptor es peligrosa y debe ser reparada.

Desconecte el enchufe de la fuente de alimentación y/o retire el paquete de batería de la herramienta eléctrica, si es retirable, antes de hacer cualquier ajuste, cambiar accesorios o almacenar herramientas eléctricas. Dichas medidas preventivas de seguridad reducen el riesgo de arrancar accidentalmente la herramienta eléctrica.

Guarde las herramientas eléctricas que no esté usando fuera del alcance de los niños y no deje que las personas que no estén familiarizadas con la herramienta eléctrica o estas instrucciones utilicen la herramienta eléctrica. Las herramientas eléctricas son peligrosas en las manos de los usuarios no capacitados.

Realice mantenimiento de las herramientas eléctricas y los accesorios. Compruebe si hay desalineación o atoramiento de las piezas móviles, rotura de piezas y cualquier otra situación que pueda afectar al funcionamiento de la herramienta eléctrica. Si la herramienta está dañada, haga que la reparen antes de utilizarla. Muchos accidentes son causados por herramientas eléctricas mantenidas deficientemente.

Mantenga las herramientas de corte afiladas y limpias. Las herramientas de corte mantenidas adecuadamente, con bordes de corte afilados, tienen menos probabilidades de atorarse y son más fáciles de controlar.

Utilice la herramienta eléctrica, los accesorios y las brocas de la herramienta, etc., de acuerdo con estas instrucciones, teniendo en cuenta las condiciones de trabajo y el trabajo que se vaya a realizar. El uso de la herramienta eléctrica para operaciones distintas a las previstas podría causar situaciones inesperadas.

Mantenga los mangos y las superficies de agarre secos, limpios y libres de aceite y grasa. Los mangos resbalosos y las superficies de agarre resbalosas no permiten un manejo y un control seguros de la herramienta situaciones inesperadas.

Uso y cuidado de las baterías

Recargue las baterías solo con el cargador especificado por el fabricante. Es posible que un cargador que sea adecuado para un tipo de paquete de batería cree un riesgo de incendio cuando se utilice con otro paquete de batería.

Utilice las herramientas eléctricas solo con paquetes de batería designados específicamente. Es posible que el uso de cualquier otro paquete de batería cree un riesgo de lesiones e incendio.

Cuando el paquete de batería no se esté utilizando, manténgalo alejado de otros objetos metálicos, tales como clips sujetapapeles, monedas, llaves, clavos, tornillos u otros objetos metálicos pequeños, que puedan hacer una conexión de un terminal al otro. Si se cortocircuitan juntos los terminales de la batería es posible que se causen quemaduras o un incendio.

En condiciones abusivas es posible que se expulse líquido de la batería; evite el contacto. Si se produce contacto accidentalmente, enjuáguese con agua. Si el líquido entra en contacto con los ojos, obtenga además ayuda médica. Es posible que el líquido expulsado de la batería cause irritación o quemaduras.

No utilice un paquete de batería o una herramienta que esté dañada o modificada. Es posible que las baterías dañadas o modificadas exhiban un comportamiento imprevisible que cause incendio, explosión o riesgo de lesiones.

No exponga un paquete de batería o una herramienta a un fuego o a una temperatura excesiva. Es posible que la exposición a un fuego o a una temperatura superior a 265 °F cause una explosión.

Siga todas las instrucciones de carga y no cargue el paquete de batería ni la herramienta fuera del intervalo de temperatura especificado en las instrucciones. Es posible que la realización de la carga de manera inadecuada o a temperaturas que estén fuera del intervalo especificado dañe la batería y aumente el riesgo de incendio.

Servicio de ajustes y reparaciones

Haga que su herramienta eléctrica reciba servicio de ajustes y reparaciones por un técnico de reparaciones calificado que utilice únicamente piezas de repuesto idénticas. Esto garantizará que se mantenga la seguridad de la herramienta eléctrica.

No haga nunca servicio de ajustes y reparaciones de paquetes de batería dañados. El servicio de ajustes y reparaciones de paquetes de batería deberá ser realizado solo por el fabricante o por proveedores de servicio autorizados.

INSTRUCCIONES DE SEGURIDAD PARA SIERRAS CIRCULARES

Procedimientos de corte

⚠ ADVERTENCIA Mantenga las manos alejadas del área de corte y de la hoja. Mantenga la segunda mano en el mango auxiliar o en la carcasa del motor. Si ambas manos están agarrando la sierra, la hoja no puede cortarlas.

No ponga las manos debajo de la pieza de trabajo. El protector no puede protegerle de la hoja debajo de la pieza de trabajo.

Ajuste la profundidad de corte al grosor de la pieza de trabajo. Debería verse menos de un diente completo de los dientes de la hoja por debajo de la pieza de trabajo.

No sostenga nunca la pieza de trabajo en las manos ni sobre una pierna mientras esté cortando. Sujete firmemente la pieza de trabajo a una plataforma estable. Es importante soportar adecuadamente la pieza de trabajo para minimizar la exposición del cuerpo, el atoramiento de la hoja o la pérdida de control.

Agarre la herramienta eléctrica por las superficies de agarre con aislamiento cuando realice una operación en la que es posible que la herramienta de corte entre en contacto con cables ocultos. El contacto con un cable con corriente hará que las partes metálicas de la herramienta eléctrica que estén al descubierto también lleven corriente, lo cual podría causar una descarga eléctrica al operador.

Cuando corte al hilo, utilice siempre un tope-guía para cortar al hilo o una guía de borde recto. Esto mejora la precisión del corte y reduce las probabilidades de que la hoja se atore.

Utilice siempre hojas de sierra con el tamaño correcto y la forma correcta (adiamantados frente a redondos) de los agujeros para el eje portaherramienta. Las hojas de sierra que no coincidan con los herrajes de montaje de la sierra girarán descentradas, con lo cual causarán pérdida de control.

No utilice nunca arandelas de hoja o un perno de la hoja que estén dañados o sean incorrectos. Las arandelas de hoja y el perno de la hoja se diseñaron especialmente para esta sierra con el fin de lograr un rendimiento óptimo y ofrecer la máxima seguridad de funcionamiento.

Causas del retroceso y advertencias relacionadas

El retroceso es una reacción repentina a una hoja de sierra pellizcada, atorada o desalineada que hace que una sierra descontrolada se levante y se salga de la pieza de trabajo hacia el operador.

Cuando la hoja se comprima o se atore fuertemente debido a que la entalladura se cierra, la hoja se detendrá y la reacción del motor impulsará rápidamente la unidad hacia atrás, hacia el operador.

Si la hoja se tuerce o se desalinea en el corte, los dientes ubicados en el borde trasero de la misma pueden penetrar en la superficie superior de la madera y hacer que la hoja trepe, se salga de la entalladura y salte hacia atrás, hacia el operador.

El retroceso es el resultado de un uso indebido de la sierra y/o procedimientos o situaciones de utilización incorrectos, y se puede evitar tomando las precauciones adecuadas, tal y como se indica a continuación.

Mantenga un agarre firme con las dos manos en la sierra y posicione los brazos de manera que puedan resistir las fuerzas de retroceso. Posicione el cuerpo en cualquiera de los dos lados de la hoja, pero no en línea con la misma. Un retroceso podría hacer que la sierra salte hacia atrás, pero las fuerzas de retroceso pueden ser controladas por el operador, si se toman las precauciones adecuadas.

Cuando la hoja se esté atorando o cuando usted interrumpa un corte por cualquier motivo, suelte el gatillo y sujete la sierra de manera que esté inmóvil en el material hasta que la hoja se detenga por completo. No intente nunca retirar la sierra de la pieza de trabajo ni jalar la sierra hacia atrás mientras la hoja esté en movimiento, o es posible que ocurra retroceso. Investigue y tome medidas correctivas para eliminar la causa de atoramiento de la hoja.

Cuando reanque una sierra en la pieza de trabajo, centre la hoja de la sierra en la entalladura, de manera que los dientes de la

sierra no estén acoplados en el material. Si una hoja de sierra se atora, es posible que trepe o experimente retroceso respecto a la pieza de trabajo al reanquear la sierra.

Soporte los paneles grandes para minimizar el riesgo de que la hoja se comprima y se produzca retroceso. Los paneles grandes tienden a arquearse bajo su propio peso. Se deben colocar soportes debajo del panel a ambos lados, cerca de la línea de corte y cerca del borde del panel.

No utilice hojas desafiladas o dañadas. Las hojas desafiladas o con triscado incorrecto producen una entalladura estrecha, lo cual causa una fricción excesiva, atoramiento de la hoja y retroceso.

Las palancas de fijación del ajuste de profundidad y de bisel de la hoja deben estar apretadas y firmemente sujetas antes de realizar el corte. Si el ajuste de la hoja cambia mientras se está realizando el corte, es posible que cause atoramiento y retroceso.

Tenga precaución adicional cuando aserre en paredes existentes u otras áreas ciegas. Es posible que la hoja que sobresale corte objetos que pueden causar retroceso.

Función del protector inferior

Compruebe el protector inferior para verificar si se cierra correctamente antes de cada uso. No utilice la sierra si el protector inferior no se mueve libremente y no se cierra instantáneamente. No sujete con abrazaderas ni amarre nunca el protector inferior en la posición abierta. Si la sierra se cae accidentalmente, es posible que el protector inferior se doble. Suba el protector inferior con el mango retráctil y asegúrese de que se mueve libremente y no toca la hoja ni ninguna otra pieza, en todos los ángulos y todas las profundidades de corte.

Compruebe el funcionamiento del resorte del protector inferior. Si el protector y el resorte no están funcionando correctamente, deben recibir servicio de ajustes y reparaciones antes de utilizar la sierra. Es posible que el protector inferior funcione con dificultad debido a que haya piezas dañadas, depósitos gomosos o una acumulación de residuos.

El protector inferior se puede retraer manualmente solo para realizar cortes especiales, tales como “cortes por inmersión” y “cortes compuestos”. Suba el protector inferior mediante el mango retráctil y, en cuanto la hoja penetre en el material, suelte dicho protector. Para todas las demás operaciones de aserrado, el protector inferior debería funcionar automáticamente.

Asegúrese siempre de que el protector inferior esté cubriendo la hoja antes de dejar la sierra en un banco de trabajo o en el piso.

Una hoja sin protección que esté girando por inercia mientras desacelera hará que la sierra se desplace hacia atrás, cortando todo aquello que esté en su camino. Tenga en cuenta el tiempo que se requiere para que la hoja se detenga después de soltar el interruptor.

Utilice abrazaderas u otra forma práctica de sujetar y soportar la pieza de trabajo en una plataforma estable. Sostener la pieza de trabajo con la mano o contra el cuerpo es inestable y es posible que cause pérdida de control.

Inspeccione el estado y la calidad de la madera y saque todos los clavos de la misma antes de cortarla. La madera de construcción mojada, la madera de construcción verde o la madera de construcción tratada a presión requieren especial atención durante la operación de corte para prevenir el retroceso.

Agarre firmemente la sierra para prevenir la pérdida de control. Las figuras de este manual ilustran el agarre típico de la sierra con las manos.

Esta sierra circular no se deberá montar en una mesa y ser convertida en una sierra de mesa. Las sierras circulares no están diseñadas ni destinadas para utilizarse como sierras de mesa.

No ponga nunca la mano detrás de la hoja de la sierra. Un retroceso podría hacer que la sierra salte hacia atrás sobre la mano.

No utilice la sierra con una configuración de profundidad de corte excesiva. Una exposición excesiva de la hoja aumenta la probabilidad de que la misma se tuerza en la entalladura y aumenta el área superficial de la hoja disponible para comprimirse que produce retroceso.

No tenga la herramienta en funcionamiento mientras la lleva a su lado. Es posible que el protector inferior se abra al entrar en contacto con su ropa. Un contacto accidental con la hoja de la sierra cuando esté girando podría causar lesiones corporales graves.

Retire periódicamente la hoja, limpie los protectores superior e inferior con queroseno y seque todo con un paño o límpielo con aire comprimido. El mantenimiento preventivo y el funcionamiento adecuado del protector reducirán la probabilidad de un accidente.









ADVERTENCIAS DE SEGURIDAD ADICIONALES





ADVERTENCIA

- Cierta polvo generado por las operaciones de lijado, aserrado, amolado y taladrado con herramientas eléctricas, así como por otras actividades de construcción, contiene sustancias químicas que el estado de California sabe que causan cáncer, defectos de nacimiento u otros daños sobre la reproducción. Algunos ejemplos de estas sustancias químicas son:
 - Plomo procedente de pinturas a base de plomo.
 - Sílice cristalina procedente de ladrillos y cemento y otros productos de mampostería.
 - Arsénico y cromo procedentes de madera de construcción tratada químicamente.
- El riesgo para usted por causa de estas exposiciones varía, dependiendo de qué tan a menudo realice este tipo de trabajo. Para reducir su exposición a estas sustancias químicas:
 - Trabaje en un área bien ventilada.
 - Trabaje con equipo de seguridad aprobado, tal como máscaras antipolvo que estén diseñadas especialmente para impedir mediante filtración el paso de partículas microscópicas.
 - Evite el contacto prolongado con el polvo procedente de las operaciones de lijado, aserrado, amolado y taladrado con herramientas eléctricas, así como de otras actividades de construcción. Use ropa protectora y lave las áreas expuestas del cuerpo con agua y jabón. Si deja que le entre polvo en la boca o en los ojos, o que le quede polvo en la piel, es posible que se promueva la absorción de sustancias químicas perjudiciales.

SÍMBOLOS

IMPORTANTE: Puede que algunos de los siguientes símbolos aparezcan en la herramienta. Estúdielos y conozca su significado. La interpretación correcta de estos símbolos le permitirá utilizar la herramienta de manera eficaz y segura.

Símbolo	Nombre	Designación/Explicación
V	Voltios	Voltaje
A	Amperios	Corriente
Hz	Hertz	Frecuencia (ciclos por segundo)
W	Vatios	Alimentación
kg	Kilogramos	Peso
min	Minutos	Hora
s	Segundos	Hora
Wh	Vatio por horas	Capacidad de la batería
Ah	Amperios por hora	Capacidad de la batería
∅	Diámetro	Tamaño de las brocas para taladro, piedras de amolar, etc.
n_0	Velocidad sin carga	Velocidad de rotación sin carga
n	Rango de velocidad	Velocidad máxima alcanzable
.../min	Revoluciones o reciprocaciones por minuto (rpm)	Revoluciones, pasadas, velocidad de superficie, órbitas, etc. por minuto
0	Posición de apagado	Velocidad cero, torsión cero...
1,2,3,... I,II,III,	Ajustes del selector	Ajustes de velocidad, par o posición. Un número mayor significa mayor velocidad
	Selector de regulación continua con apagado	La velocidad aumenta desde el ajuste 0
	Flecha	Acción en la dirección de la flecha
	Corriente alterna (CA)	Tipo o característica de corriente
	Corriente continua (CC)	Tipo o característica de corriente
	Corriente alterna o continua (CA/CC)	Tipo o característica de corriente
	Herramienta de Clase II	Designa las herramientas de construcción con doble aislamiento
	Conexión a tierra de protección	Terminal de conexión a tierra
	Sello de iones de litio de RBRC	Designa el programa de reciclaje de baterías de iones de litio

Símbolo	Nombre	Designación/Explicación
	Lea las instrucciones	Indica al usuario que lea el manual
	Símbolo de use de lentes de protección	Alerta al usuario para que use protección ocular
	Utilice siempre la herramienta con las dos manos	Alerta al usuario para que utilice siempre la herramienta con las dos manos
	No utilice el protector para operaciones de tronzado	Alerta al usuario para que no utilice el protector para operaciones de tronzado

SÍMBOLOS (INFORMACIÓN DE CERTIFICACIÓN)

Símbolo	Designación/Explicación
	Este símbolo designa que esta herramienta está incluida en la lista de Underwriters Laboratories.
	Este símbolo designa que esta herramienta es reconocida por Underwriters Laboratories.
	Este símbolo designa que esta herramienta está incluida en la lista de Underwriters Laboratories, conforme a las normas de Estados Unidos y Canadá.
	Este símbolo designa que esta herramienta está incluida en la lista de Canadian Standards Association.
	Este símbolo designa que esta herramienta está incluida en la lista de Canadian Standards Association, conforme a las normas de Estados Unidos y Canadá.
	Este símbolo designa que esta herramienta está incluida en la lista de Intertek Testing Services, conforme a las normas de Estados Unidos y Canadá.
	Este símbolo designa que esta herramienta cumple con las normas NOM de México.

Sierra circular

Fig. 1a

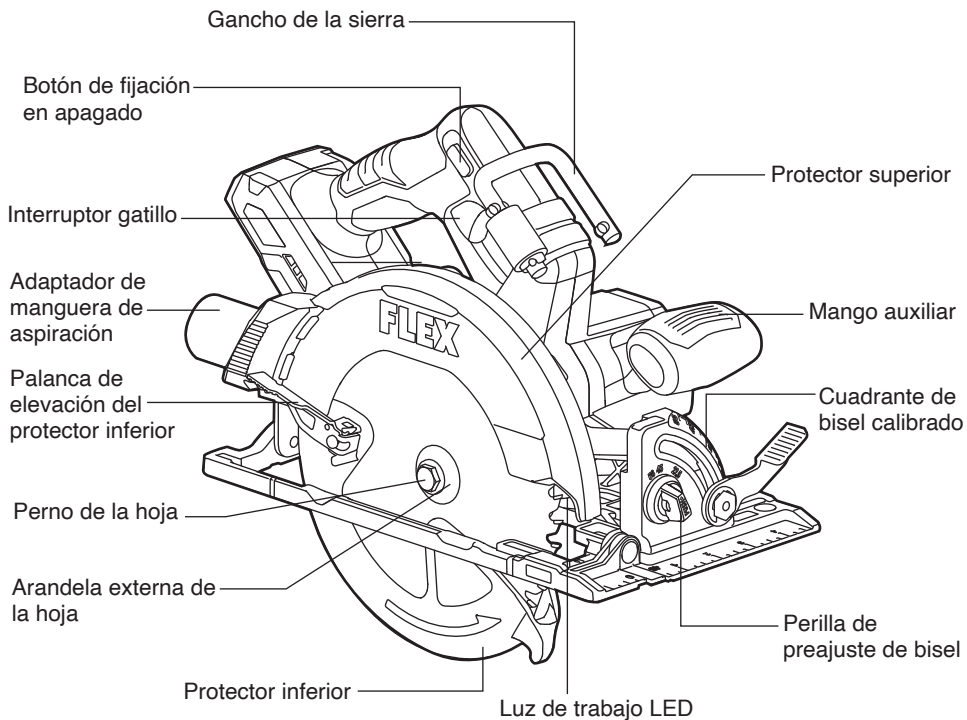
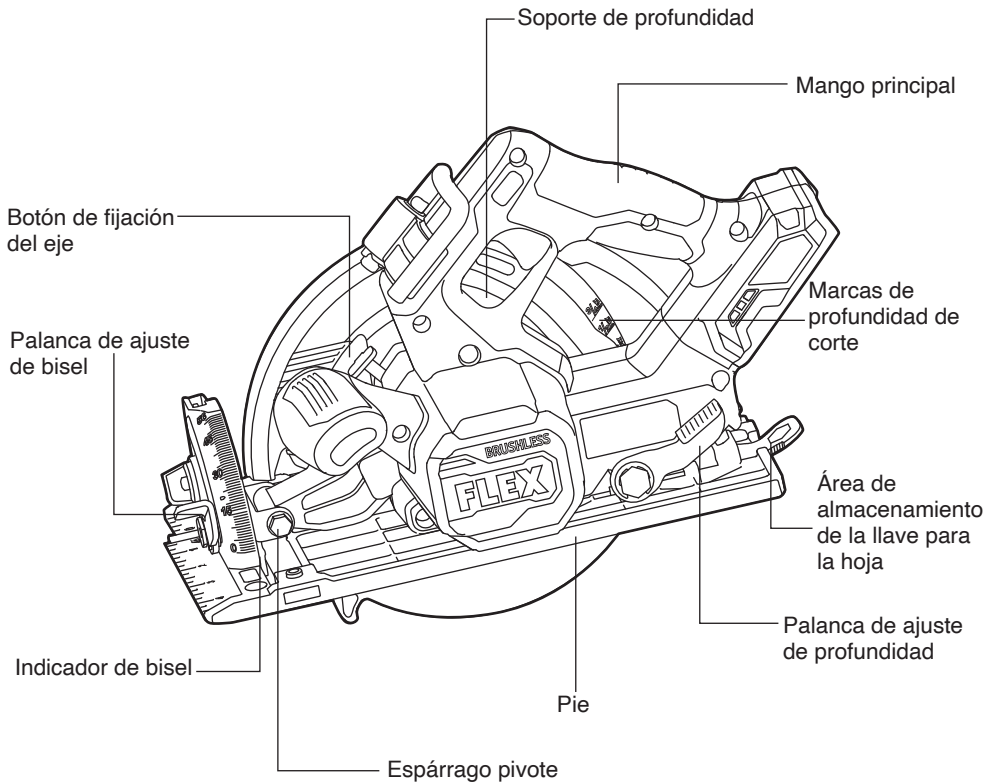


Fig. 1b

Núm. de modelo.	FX2141
Tensión nominal	24 V c.c.
Velocidad sin carga	5800 RPM
Capacidad de bisel	0 – 56°
Hoja	7-1/4 pulgadas (184 mm)
Agujero de la hoja para el eje portaherramienta	5/8 de pulgada (16 mm)
Profundidad de corte a 90°	2- 5/8 pulgadas (66 mm)
Profundidad de corte a 45°	1-7/8 pulgadas (48 mm)
Profundidad de corte a 56°	1-1/2 pulgadas (38 mm)
Temperatura de funcionamiento recomendada	-4 – 104° F / -20 – 40°C
Temperatura de almacenamiento recomendada	< 122° F / < 50° C

ENSAMBLAJE

⚠ ADVERTENCIA Retire el paquete de batería de la herramienta antes de hacer cualquier ensamblaje o ajuste, o cambiar accesorios. Dichas medidas preventivas de seguridad reducen el riesgo de arrancar accidentalmente la herramienta.

PARA INSTALAR/DESINSTALAR EL PAQUETE DE BATERÍA (FIG. 2)

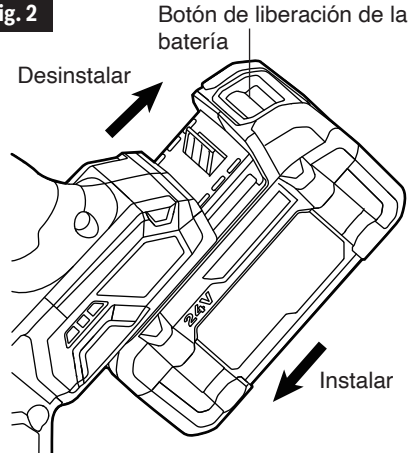
Para instalar el paquete de batería:

Alinee la costilla en relieve ubicada en el paquete de batería con las ranuras ubicadas en la herramienta y luego deslice el paquete de batería sobre la herramienta.

AVISO: Asegúrese de que el pestillo ubicado en el paquete de batería se acople a presión en la posición correcta y que el paquete de batería esté firmemente sujeto a la herramienta antes de comenzar a utilizarla.

AVISO: Cuando coloque el paquete de batería en la herramienta, asegúrese de que la costilla en relieve ubicada en el paquete de batería se alinee con la ranura que se encuentra en el interior de la herramienta y que los pestillos se acoplen adecuadamente a presión en la posición correcta. Una instalación incorrecta del paquete de batería puede causar daños a los componentes internos.

Fig. 2



Para desinstalar el paquete de batería:

Presione el botón de liberación de la batería ubicado en la parte delantera del paquete de batería, para liberar dicho paquete. Jale el paquete de batería hacia fuera y retírelo de la herramienta.

⚠ ADVERTENCIA Las herramientas a batería están siempre en condiciones de funcionamiento. Por lo tanto, retire la batería cuando la herramienta no se esté utilizando o cuando la lleve a su lado.

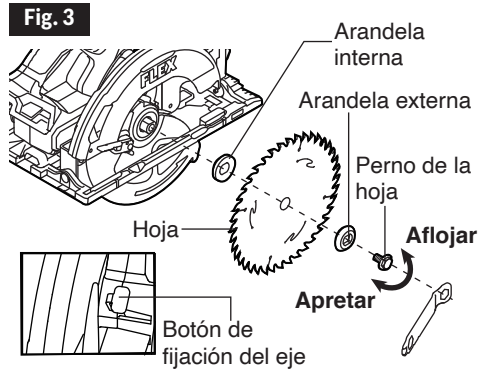
INSTALACIÓN DE LA HOJA (FIG. 3)

⚠ ADVERTENCIA Retire el paquete de batería de la herramienta antes de realizar cualquier ensamblaje o ajuste, o cambiar accesorios. Dichas medidas preventivas de seguridad reducen el riesgo de arrancar accidentalmente la herramienta.

⚠ ADVERTENCIA Utilice solo hojas de sierra de 7-1/4

pulgadas con una capacidad nominal de 5800 /min (RPM) o mayor. No utilice NUNCA una hoja que sea tan gruesa que impida que la arandela externa de la hoja se acople con el lado plano del husillo. Es posible que la utilización de una hoja que no esté diseñada para la sierra cause lesiones corporales graves y daños materiales.

- Tome la llave para la hoja de su área de almacenamiento.
- Presione el botón de fijación del eje y gire la llave para la hoja hasta que dicho botón se acople. El eje de la sierra estará ahora bloqueado. Continúe presionando el botón de fijación del eje, gire la llave para la hoja en sentido contrario al de las agujas del reloj y retire el perno de la hoja y la arandela externa.
- Asegúrese de que los dientes de la sierra y la flecha ubicada en la hoja apunten en la misma dirección que la flecha ubicada en el protector inferior.
- Retraiga el protector inferior completamente hacia arriba, hacia el interior del protector



- superior. Mientras retrae el protector inferior, compruebe el funcionamiento y el estado del resorte de dicho protector.
- Deslice la hoja a través de la ranura ubicada en el pie y móntela contra la arandela interna ubicada en el eje. Asegúrese de que el diámetro grande de las arandelas interna y externa quede al ras contra la hoja.
- Reinstale la ARANDELA EXTERNA. Apriete primero el perno de la hoja con los dedos y luego apriete dicho perno 1/8 de vuelta (45°) con la llave para la hoja suministrada.

AVISO: No utilice una llave la hoja con un mango más largo, ya que es posible que cause sobreapriete del perno de la hoja.

AVISO: Limpie siempre el husillo, el protector superior y el protector inferior para eliminar toda la suciedad y todo el aserrín.

INSTALACIÓN DEL ADAPTADOR DE MANGUERA DE ASPIRACIÓN (FIG. 4)

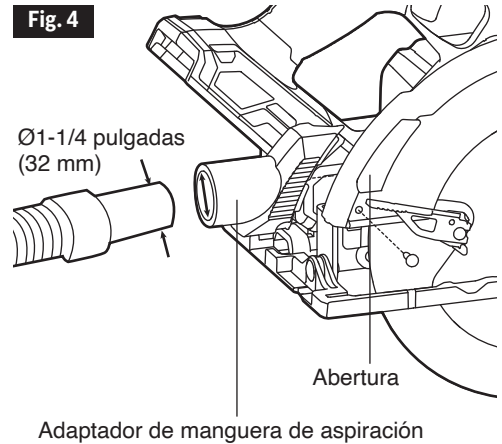
⚠ ADVERTENCIA Use siempre una máscara antipolvo durante la utilización de la herramienta.

Alinee el adaptador de manguera de aspiración con la abertura ubicada en el protector superior y fije el adaptador de manguera de aspiración en la posición correcta utilizando un tornillo (suministrado).

Para extraer el aserrín generado durante el corte, conecte una aspiradora adecuada con una manguera de succión de 1-1/4 pulgadas al adaptador de manguera de aspiración.

Asegúrese de que la manguera de aspiración tenga libertad para moverse y cuente con suficiente longitud para completar el corte. Si es necesario, haga que otra persona mueva la aspiradora y la manguera mientras usted realiza el corte.

Antes de comenzar un corte, asegúrese de que la circulación de aire a través del protector superior no esté obstruida.



AJUSTES

AJUSTE DE PROFUNDIDAD (FIG. 5A Y 5B)

Retire el paquete de batería de la sierra circular.

- Afloje la palanca de ajuste de profundidad empujándola hacia arriba, hacia la carcasa del motor.
- Sujete el pie hacia abajo con una mano y utilice el mango para subir o bajar la sierra.
- Alinee la muesca ubicada en el soporte de profundidad con la marca de profundidad de corte deseada ubicada en el protector superior y apriete la palanca de ajuste de profundidad.

Compruebe la profundidad establecida. No más de una longitud de diente de la hoja debería sobresalir por debajo del material que se vaya a cortar, para minimizar el astillamiento.

AVISO: Las cuatro profundidades de corte más comunes están marcadas en el protector superior. Estos ajustes ayudan al operador a ajustar rápidamente la sierra para cortar a través de material con un grosor de 1/4 de pulgada, 1/2 pulgada, 3/4 de pulgada y de 2 capas, respectivamente, a la vez que permite que una longitud de diente de la hoja sobresalga por debajo del material.

Fig. 5A

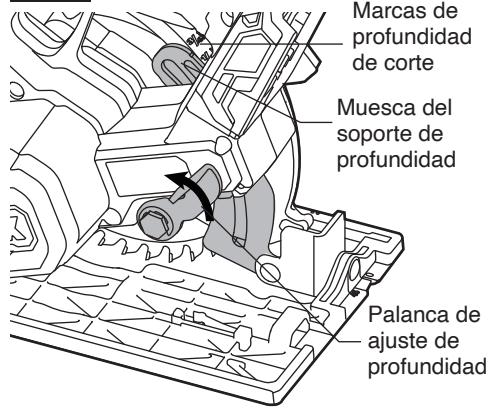
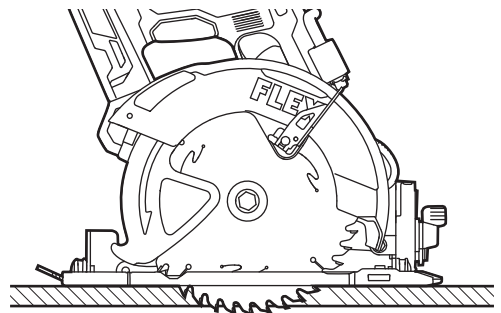


Fig. 5B

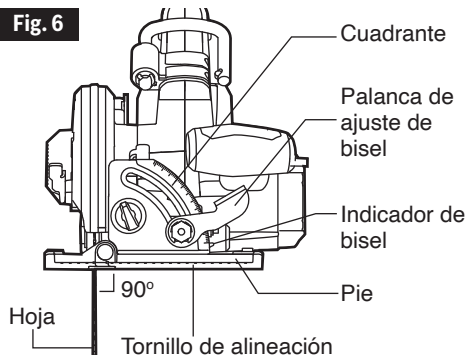


COMPRUEBE EL ÁNGULO DE CORTE A 90° (FIG. 6)

Retire el paquete de batería de la sierra circular.

- Ajuste el pie a la posición de profundidad de corte máxima. Afloje la palanca de ajuste de bisel, ajuste el indicador de bisel a 0° en el cuadrante, reapriete la palanca y utilice una escuadra para comprobar si el ángulo entre la hoja y el plano inferior del pie es de 90°.
- Utilice una llave hexagonal de 2,5 mm (no incluida) para hacer ajustes, si es necesario, girando el tornillo de alineación pequeño ubicado en la parte inferior del pie.

Fig. 6



AJUSTE DE BISEL (FIG. 7)

Retire el paquete de batería de la sierra circular. Su herramienta está equipada con una perilla de preajuste de bisel y una palanca de ajuste de bisel en la parte delantera de la sierra, para controlar el ajuste del ángulo de bisel.

AVISO: La perilla de preajuste de bisel de su sierra se ajustó a 56° en la fábrica.

La perilla de preajuste de bisel permite al operador ajustar rápidamente el bisel a 22,5°, 45° y 56°.

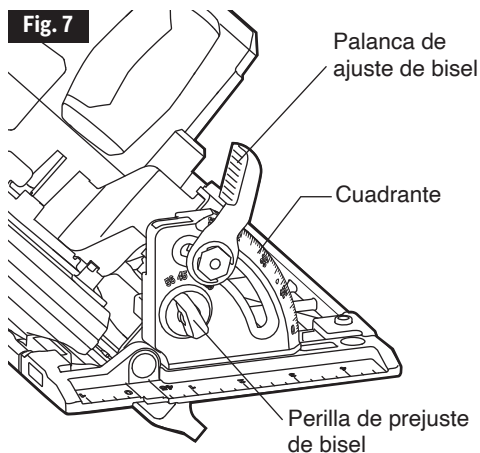
Para utilizar la perilla de preajuste de bisel

- Empuje la perilla de preajuste de bisel y gírela hasta una de las posiciones deseadas: 22,5°, 45° o 56°.
- Suelte la perilla de preajuste de bisel y esta servirá de tope de recorrido cuando ajuste el ángulo de bisel.

Para utilizar la palanca de ajuste de bisel

Con la perilla de preajuste de bisel ajustada, el operador puede ajustar rápidamente el ángulo de bisel a uno de los preajustes de 22,5°, 45° y 56°, o seleccionar un ángulo de bisel deseado dentro del intervalo de ángulos seleccionado.

- Afloje la perilla de ajuste de bisel.
- Incline la sierra tanto como sea posible hasta que sea bloqueada por la perilla de preajuste de bisel a 22,5°, 45° o 56°. Si se desea un



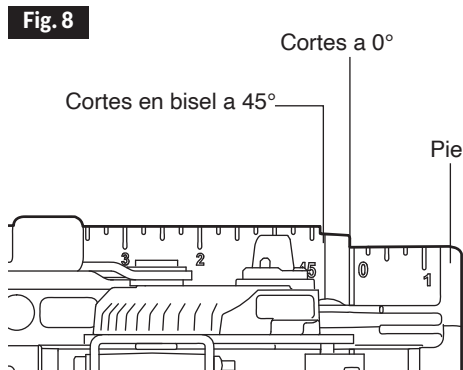
ángulo de bisel personalizado dentro del intervalo de ángulos seleccionado (p. ej., 22,5° - 45°), incline la sierra hasta que el indicador de bisel esté alineado con la marca de ángulo deseada en el cuadrante.

- Apriete la perilla de ajuste de bisel

⚠ ADVERTENCIA Debido al aumento de la cantidad de acoplamiento de la hoja en la pieza de trabajo y a la disminución de la estabilidad del pie, es posible que ocurra atoramiento de la hoja. Mantenga estable la sierra y el pie firmemente sobre la pieza de trabajo.

GUÍA DE LÍNEA (FIG. 8)

Para realizar un corte a 0° y un corte en bisel a 45°, utilice como guía las respectivas marcas ubicadas en el pie. La guía de corte indicará una línea de corte aproximada. Haga cortes de muestra en madera de construcción de desecho para verificar la línea de corte real. Esto será útil debido al número de tipos y grosores de hoja diferentes disponibles. Para asegurarse de que el astillamiento sea mínimo en el lado bueno del material que se vaya a cortar, oriente el lado bueno hacia abajo.



GANCHO DE LA SIERRA (FIG. 9)

Su herramienta está equipada con un gancho. Utilice el gancho para colgar la sierra de un cabrio o una viga, u otra estructura segura similar para su almacenamiento temporal durante el trabajo. Tamaño recomendado de la madera de construcción para soportar la sierra con el gancho: 2x4.

Para utilizar el gancho, levántelo hasta que se acople a presión en la posición abierta.

Cuando no se esté utilizando, baje siempre el gancho hasta que se acople a presión en la posición cerrada.

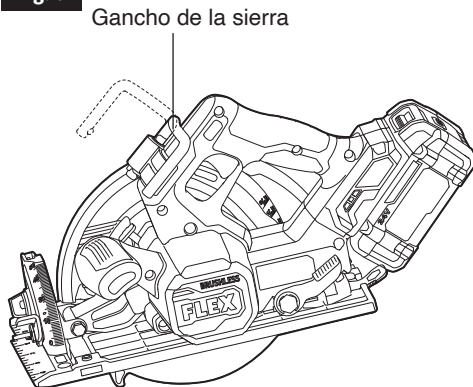
⚠ ADVERTENCIA Cuando la sierra esté colgada por el gancho, no agite la sierra ni el objeto del que esté colgando. No cuelgue la sierra de cables eléctricos. Asegúrese de que la estructura utilizada para colgar la sierra sea segura. Es posible que ocurran lesiones corporales o daños materiales.

Utilice el gancho solo para colgar la sierra.

La utilización del gancho para colgar cualquier otra cosa podría causar lesiones graves.

No utilice el gancho para alcanzar otro objeto ni para soportar su propio peso en cualquier situación.

Fig. 9



INSTRUCCIONES DE UTILIZACIÓN

⚠ ADVERTENCIA Para reducir el riesgo de incendio, lesiones corporales y daños al producto debido a un cortocircuito, no sumerja nunca su herramienta, el paquete de batería ni el cargador en un líquido ni deje que un líquido fluya dentro de ellos. Los líquidos corrosivos o conductores, tales como el agua de mar, ciertos productos químicos industriales y el blanqueador o los productos que contengan blanqueador, etc., pueden causar un cortocircuito.

⚠ ADVERTENCIA Si cualquiera de las piezas está dañada o falta, no utilice este producto hasta que las piezas hayan sido remplazadas. La utilización de este producto con piezas dañadas

o si le faltan piezas podría causar lesiones corporales graves.

⚠ ADVERTENCIA No intente modificar esta herramienta ni crear accesorios no recomendados para utilizarse con esta herramienta. Cualquiera de dichas alteraciones o modificaciones constituye un uso incorrecto y podría provocar una situación peligrosa que cause posibles lesiones graves.

⚠ ADVERTENCIA Para prevenir arranques accidentales que podrían causar lesiones corporales graves, retire siempre el paquete de batería de la herramienta cuando ensamble piezas.

Esta sierra circular se debe utilizar solo con los paquetes de batería y los cargadores que se indican a continuación:

Paquete de batería				Cargador	
2.5Ah	5Ah	8Ah	12Ah	FLEX FX0411	FLEX FX0421
FLEX FX0111	FLEX FX0121	FLEX FX0221	FLEX FX0231		

AVISO: Sírvase consultar los manuales del paquete de batería y del cargador para obtener información detallada de utilización.

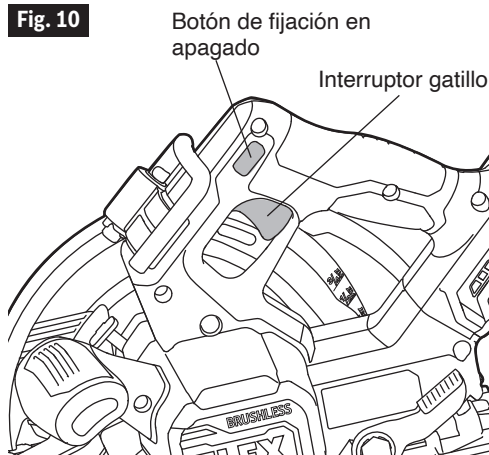
INTERRUPTOR (FIG. 10)

Para “ENCENDER” la herramienta, presione y mantenga presionado el botón de fijación en apagado con el dedo pulgar y luego comprima el interruptor gatillo con un dedo. Suelte el botón de fijación en apagado y continúe comprimiendo el gatillo para obtener un funcionamiento continuo.

Para “APAGAR” la herramienta, suelte el interruptor gatillo, que está accionado por resorte, y este regresará automáticamente a la posición de apagado.

Su sierra deberá estar funcionando a su velocidad máxima ANTES de comenzar el corte y deberá apagarse solo DESPUÉS de completar el corte. Para aumentar la vida útil del interruptor, no encienda y apague la sierra mientras esté cortando.

Fig. 10

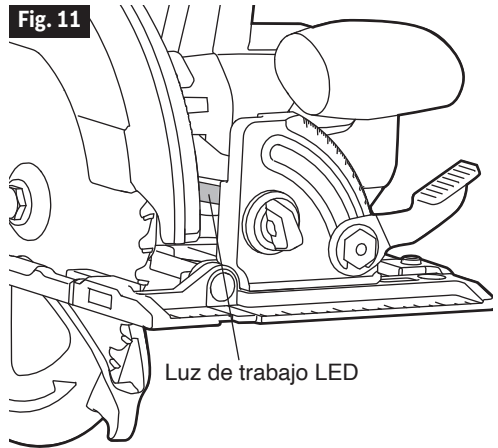


LUZ DE TRABAJO LED (FIG. 11)

Su herramienta está equipada con una luz de trabajo LED. Esta luz proporciona iluminación adicional sobre la hoja de sierra y la superficie de la pieza de trabajo para operar en áreas con menor iluminación.

La luz LED se encenderá automáticamente con una ligera compresión del interruptor gatillo antes de que la herramienta comience a funcionar. Se apagará aproximadamente 10 segundos después de soltar el interruptor gatillo.

- Cuando la herramienta y/o el paquete de batería se sobrecarguen o estén demasiado calientes, los sensores internos apagarán la herramienta. Si la herramienta y/o el paquete de batería se sobrecargan, la luz LED parpadeará rápidamente. Deje descansar la herramienta por un tiempo o coloque la herramienta y el paquete de batería por separado bajo una corriente de aire para enfriarlos.
- La luz LED parpadeará más lentamente para indicar que la carga del paquete batería está en un nivel bajo de capacidad. Recargue el paquete de batería.



- Si la luz LED no se ilumina cuando usted encienda la herramienta o si se apaga repentinamente mientras la esté utilizando, sírvase contactar a servicio al cliente o a un centro de servicio autorizado para obtener asistencia.

CORTES GENERALES

Agarre siempre la sierra por el mango principal con una mano y el mango auxiliar con la otra. Mantenga un agarre firme con las dos manos en la sierra y posicione los brazos de manera que puedan resistir las fuerzas de retroceso. Posicione el cuerpo en cualquiera de los dos lados de la hoja, pero no en línea con la misma.

Asegúrese de que su cuerpo esté orientado de manera que se aleje del adaptador de manguera de aspiración.

⚠ ADVERTENCIA Asegúrese siempre de que ninguna de las dos manos interfiera con el movimiento libre del protector inferior. Mantenga un agarre firme y accione el interruptor con una acción decisiva. No fuerce nunca la sierra. Utilice una presión ligera y continua.

⚠ ADVERTENCIA Después de completar un corte y soltar el gatillo, tenga en cuenta el tiempo

necesario que se requiere para que la hoja se detenga por completo durante la desaceleración por inercia. No deje que la sierra le roce la pierna o el costado; como el protector inferior es retráctil, este podría engancharse en la ropa del operador y dejar al descubierto la hoja. Tenga presente las exposiciones necesarias de la hoja que existen en las áreas tanto del protector superior como del protector inferior.

Para reanudar el corte cuando este se haya interrumpido, reanude la sierra y deje que la hoja alcance su velocidad máxima, reingrese lentamente en el corte y reanude la operación de corte.

Al cortar transversalmente a la veta, las fibras de la madera tienden a desgarrarse y levantarse. Un avance lento de la sierra minimiza este efecto. Para realizar un corte acabado, se recomienda una hoja de corte transversal o una hoja ingletadora.

NO ESTÁ DISEÑADA PARA CORTAR MAMPOSTERÍA/METAL

Esta herramienta solo está diseñada para cortar madera; no está diseñada para utilizarse con discos de corte para metal o mampostería.

⚠ ADVERTENCIA No utilice discos abrasivos con sierras circulares. Es posible que el polvo abrasivo haga que el protector inferior no funcione correctamente.

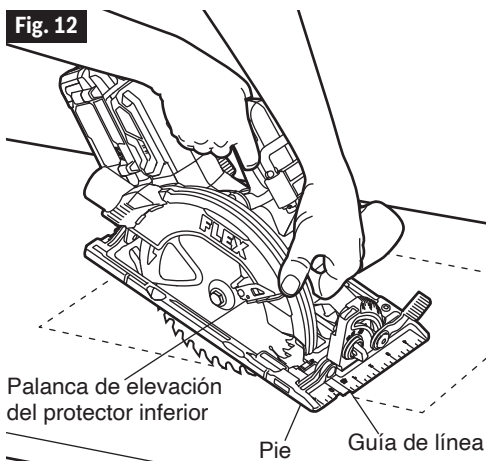
CORTES POR INMERSIÓN (FIG. 12)

Retire el paquete de batería de la sierra circular antes de hacer ajustes.

- Gradúe el ajuste de profundidad de acuerdo con el grosor del material que se vaya a cortar. Instale el paquete de batería.
- Agarre el mango principal de la sierra con una mano, incline la sierra hacia delante y apoye la parte delantera de la placa-base sobre el material que se vaya a cortar. Alinee la marca de 0° ubicada en el pie con la línea que ha trazado. Utilice la palanca de elevación del protector inferior para subir el protector inferior y sujete la parte delantera de la placa-base con la otra mano (Fig. 12).

Posicione la sierra de manera que la hoja justo no toque el material que se vaya a cortar. Arranque la sierra y, una vez que esté a su velocidad máxima, baje gradualmente el extremo trasero de la sierra utilizando el extremo delantero del pie como punto de bisagra.

Una vez que la placa-base descansa en posición plana sobre la superficie que se esté cortando, libere el protector inferior y mueva la mano que sujeta la parte delantera de la placa-base para agarrar el mango auxiliar. Proceda a cortar en sentido hacia delante para terminar el corte.



⚠ ADVERTENCIA Deje que la hoja se detenga por completo antes de levantar la sierra del corte. Además, no jale nunca la sierra hacia atrás, ya que la hoja trepará y se saldrá del material, con lo cual se producirá **RETROCESO**. Dele la vuelta a la sierra y acabe el corte de manera normal, aserrando hacia delante. Si las esquinas de su corte por inmersión no se atraviesan completamente en el corte, utilice una sierra caladora o una sierra de mano para acabar dichas esquinas.

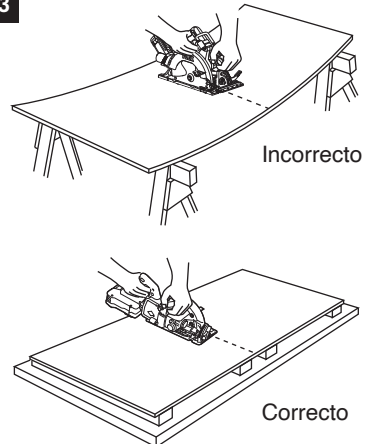
CORTE DE PLANCHAS GRANDES (FIG. 13)

Las planchas grandes y las tablas largas se pueden arquear o doblar, dependiendo de su soporte. Si intenta cortar sin nivelar y soportar adecuadamente la pieza, la hoja tenderá a atorarse, con lo cual causará RETROCESO y carga adicional sobre el motor.

Suporte el panel o la tabla cerca del corte, de la manera que se muestra en la ilustración (Fig. 13). Asegúrese de ajustar la profundidad de corte de manera que pueda cortar a través de la plancha o tabla solo y no a través de la mesa o el banco de trabajo.

Las maderas de dos por cuatro utilizadas para elevar y soportar la pieza de trabajo se deberán posicionar de manera que los lados anchos soporten la pieza de trabajo y descansen sobre la mesa o el banco de trabajo. No soporte la pieza de trabajo con los lados estrechos, ya que se trata de una configuración inestable. Si la plancha o tabla que se va a cortar es

Fig. 13

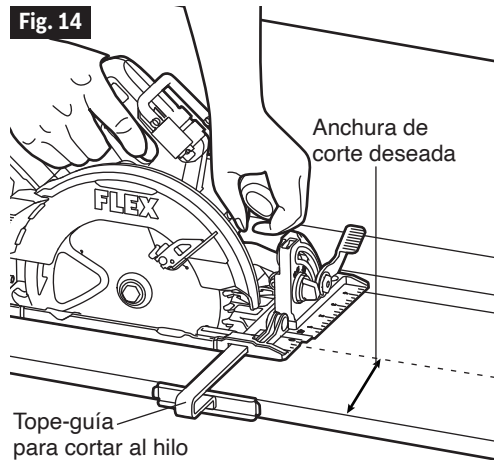


demasiado grande para una mesa o un banco de trabajo, utilice maderas de soporte de dos por cuatro en el piso y sujételas firmemente. Incorrecto

CORTES AL HILO (FIG. 14)

La hoja suministrada con su sierra está diseñada para realizar tanto cortes transversales como cortes al hilo. Cortar al hilo es cortar longitudinalmente con la veta de la madera. Los cortes al hilo son fáciles de realizar con un tope-guía para cortar al hilo (Fig. 14). Hay un tope-guía para cortar al hilo disponible como accesorio (modelo FT211, no incluido). Para instalar un tope-guía, inserte dicho tope a través de las ranuras ubicadas en el pie hasta la anchura deseada, de la manera que se muestra en la ilustración, y fíjelo con la tuerca de fijación (incluida con el tope-guía para cortar al hilo).

Fig. 14

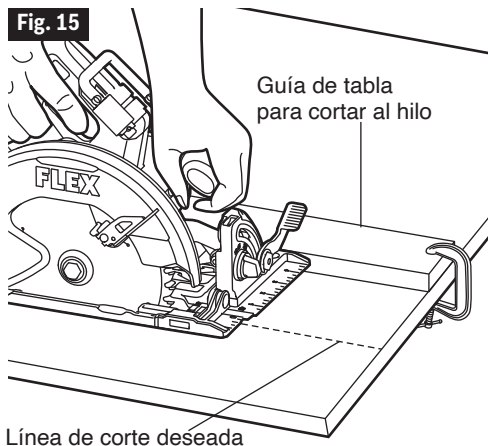


GUÍA DE TABLA PARA CORTAR AL HILO (FIG. 15)

Cuando corte al hilo planchas grandes, es posible que el tope-guía para cortar al hilo no permita la anchura de corte deseada.

Sujete con una abrazadera o clave un pedazo recto de 1 pulgada (25 mm) de madera de construcción en la plancha como guía (Fig. 15). Utilice el lado derecho del pie contra la guía de tabla.

⚠ ADVERTENCIA Asegúrese de que las abrazaderas no interfieran con el movimiento libre de la sierra.



MANTENIMIENTO

⚠ ADVERTENCIA Para evitar lesiones corporales graves, retire siempre el paquete de batería de la herramienta cuando realice limpieza o efectúe cualquier mantenimiento.

SERVICIO DE AJUSTES Y REPARACIONES

⚠ ADVERTENCIA Es posible que el mantenimiento preventivo realizado por personal no autorizado dé lugar a una colocación incorrecta de los cables y componentes internos, lo cual podría causar un peligro grave. Recomendamos que todo el servicio de ajustes y reparaciones de la herramienta sea realizado por un Centro de Servicio de Fábrica FLEX o una Estación de Servicio FLEX Autorizada.

MANTENIMIENTO GENERAL

⚠ ADVERTENCIA Cuando haga servicio de ajustes y reparaciones, utilice únicamente piezas de repuesto idénticas. La utilización de cualquier otra pieza podría crear un peligro o causar daños al producto. Inspeccione periódicamente todo el producto para determinar si hay piezas dañadas, si faltan piezas o si hay piezas flojas, tales como tornillos, tuercas, pernos, tapas, etc. Apriete firmemente todos los sujetadores y todas las tapas, y no utilice este producto hasta que todas las piezas que falten o estén dañadas hayan sido reemplazadas. Sírvase contactar a servicio al cliente o a un centro de servicio autorizado para obtener asistencia.

LIMPIEZA

⚠ ADVERTENCIA La herramienta se puede limpiar con la máxima eficacia con aire comprimido seco. Use siempre anteojos de seguridad cuando limpie herramientas con aire comprimido. Las aberturas de ventilación y las palancas de interruptor se deben mantener limpias y libres de materia extraña. No intente limpiar la herramienta insertando objetos puntiagudos a través de las aberturas.

⚠ ADVERTENCIA Ciertos agentes de limpieza y solventes dañan las piezas de plástico. Algunos de estos son: gasolina, tetracloruro de carbono, solventes de limpieza clorados, amoníaco y detergentes domésticos que contienen amoníaco.

ALMACENAMIENTO

Almacene la herramienta en un lugar interior que sea inaccesible para los niños. Manténgala alejada de los agentes corrosivos.

CUIDADO DE LAS HOJAS

Las hojas se desafilan, incluso al cortar madera de construcción normal. Si encuentra que tiene que forzar la sierra hacia adelante para cortar en lugar de simplemente guiarla a través del corte, lo más probable es que la hoja esté desafilada o recubierta con resina de madera.

Cuando limpie la hoja para eliminar goma y resina de madera, desinstale el paquete de batería y retire la hoja.

Recuerde que las hojas están diseñadas para cortar, por lo que deberá manejarlas cuidadosamente. Use guantes y limpie la hoja con un paño con queroseno o un solvente similar para eliminar la goma y la resina.

A menos que usted tenga experiencia en afilar hojas, le recomendamos que no lo intente.

ACCESORIOS

⚠ ADVERTENCIA Es posible que el uso de cualquier otro accesorio no especificado en este manual cree un peligro.

Llave para la hoja

Hoja

GARANTÍA LIMITADA DE 5 AÑOS FLEX

Chervon North America, Inc. (el “Vendedor”) garantiza, únicamente al comprador original, que todos los productos FLEX de 24 V estarán libres de defectos de material o de fabricación durante un período de cinco años a partir de la fecha de compra cuando el comprador original registre el producto dentro del plazo de 30 días después de la fecha de compra minorista original y retenga el recibo como comprobante de compra. EL PERÍODO DE GARANTÍA LIMITADA DE 5 AÑOS ESTÁ CONDICIONADO AL REGISTRO DEL PRODUCTO DENTRO DEL PLAZO DE 30 DÍAS DESPUÉS DE REALIZAR LA COMPRA Y SOLO ES APLICABLE A LAS HERRAMIENTAS, BATERÍAS Y CARGADORES FLEX DE 24 V. Si el comprador original no registra su producto dentro del plazo de 30 días, la garantía limitada que antecede tendrá aplicación durante un período de tres años. El registro del producto se puede completar en línea en www.registermyflex.com.

Herramientas de 24 V: Garantía Limitada de 5 Años con registro

Baterías y cargadores de 24 V: Garantía Limitada de 5 Años con registro

Productos FLEX Legacy alámbricos, de 12 V y de 20 V: Garantía Limitada de 1 Año. No hay beneficio de registro

Accesorios y aditamentos: No hay garantía

LA ÚNICA OBLIGACIÓN DEL VENDEDOR Y EL REMEDIO EXCLUSIVO PARA USTED bajo esta Garantía Limitada de 5 Años y, en la medida en que la ley lo permita, cualquier garantía o condición implícita por ley, será la reparación o el reemplazo de las piezas, sin cargo alguno, que presenten defectos de material o de fabricación y que no hayan sido utilizadas incorrectamente, manejadas descuidadamente o reparadas por personas que no sean un Distribuidor de Servicio Autorizado FLEX. Esta garantía no cubre la falla de piezas debida al desgaste por el uso normal. Para presentar un reclamo bajo esta garantía, devuelva el producto completo, con el transporte prepago, a cualquier Distribuidor de Servicio Autorizado FLEX. Para localizar los Distribuidores de Servicio FLEX Autorizados, sírvase visitar www.registermyflex.com o llamar al 1-833-FLEX-496 (1-833-353-9496).

Esta Garantía Limitada de 5 Años no se aplica a los accesorios, los aditamentos ni las piezas.

Cualquier garantía implícita aplicable a un producto estará limitada en duración a la misma duración que las garantías expresas aplicables a dicho producto, tal y como se establece en el primer párrafo que antecede. Algunos estados de los EE.UU. y algunas provincias canadienses no permiten limitaciones en cuanto a la duración de una garantía implícita, por lo que es posible que la limitación que antecede no tenga aplicación.

FLEX no es responsable por daños directos, indirectos, incidentales o emergentes. Algunos estados de los EE.UU. y algunas provincias canadienses no permiten limitaciones en cuanto a la duración de una garantía implícita y/o no permiten la exclusión o limitación de los daños incidentales o emergentes, por lo que es posible que las limitaciones o exclusiones que anteceden no tengan aplicación. Esta garantía limitada le confiere a usted derechos legales específicos y es posible que usted tenga también otros derechos que varían según el estado en los EE.UU. y según la provincia en Canadá.

Esta garantía limitada se aplica solo a los productos vendidos dentro de los Estados Unidos de América, Canadá y la mancomunidad de Puerto Rico. Para obtener cobertura de garantía en otros países, contacte a su distribuidor local de FLEX.

© Chervon North America, 1203 E. Warrenville Rd., Naperville, IL 60563

www.flexpowertools.com

www.registermyflex.com

1-833-FLEX-496 (1-833-353-9496)

Revisado 12/2020

