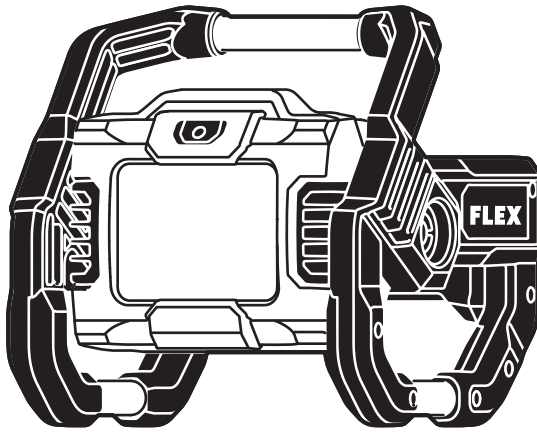


# FLEX

**OPERATOR'S MANUAL  
MANUAL DEL OPERADOR  
MANUEL DE L'UTILISATEUR**



Model:  
Modelo:  
Modèle:

## FX5131

**24V JOBSITE FLOOD LIGHT  
PROJECTEUR DE CHANTIER DE 24 V  
REFLECTOR PARA EL SITIO DE CONSTRUCCIÓN DE 24 V**

Contact Us /  
Nous contacter /  
Contáctenos



**833-FLEX-496  
(833-3539-496)**



**[www.Registermyflex.com](http://www.Registermyflex.com)**



**For English  
Version**

**See page 2**

**Version  
française**

**Voir page 12**

**Versión en  
español**

**Ver la página 23**

# SAFETY SYMBOLS

The purpose of safety symbols is to attract your attention to possible dangers. The safety symbols and the explanations with them deserve your careful attention and understanding. The symbol warnings do not, by themselves, eliminate any danger. The instructions and warnings they give are no substitutes for proper accident prevention measures.

**⚠ WARNING** Be sure to read and understand all safety instructions in this Operator's Manual, including all safety alert symbols such as "**DANGER**," "**WARNING**," and "**CAUTION**" before using this tool. Failure to follow all instructions listed below may result in electric shock, fire, and/or serious personal injury.

The definitions below describe the level of severity for each signal word. Please read the manual and pay attention to these symbols.



This is the safety alert symbol. It is used to alert you to potential personal injury hazards. Obey all safety messages that follow this symbol to avoid possible injury or death.



DANGER indicates a hazardous situation which, if not avoided, will result in death or serious injury.



WARNING indicates a hazardous situation which, if not avoided, could result in death or serious injury.



CAUTION, used with the safety alert symbol, indicates a hazardous situation which, if not avoided, will result in minor or moderate injury.

## Damage Prevention and Information Messages

These inform the user of important information and/or instructions that could lead to equipment or other property damage if they are not followed. Each message is preceded by the word "NOTICE", as in the example below:

**NOTICE:** Equipment and/or property damage may result if these instructions are not followed.



The operation of any power tools can result in foreign objects being thrown into your eyes, which can result in severe eye damage. Before beginning power tool operation, always wear safety goggles or safety glasses with side shields and a full face shield when needed. We recommend a Wide Vision Safety Mask for use over eyeglasses or standard safety glasses with side shields. Always use eye protection which is marked to comply with ANSI Z87.1.

## IMPORTANT SAFETY WARNINGS



**Read all safety warnings, instructions, illustrations and specifications provided with this appliance.** Failure to follow all instructions listed below may result in electric shock, fire and/or serious injury.

**Prevent unintentional starting. Ensure the switch is in the off-position before connecting to battery pack, picking up or carrying the appliance.** Carrying the appliance with your finger on the switch or energizing appliance that have the switch on invites accidents.

**Disconnect the battery pack from the appliance before making any adjustments, changing accessories, or storing appliance.** Such preventive safety measures reduce the risk of starting the appliance accidentally.

**Do not direct the light beam at persons or pets and avoid staring into the light even from a distance.**

**Recharge battery packs only with the charger specified by the manufacturer.** A charger that is suitable for one type of battery pack may create a risk of fire when used with another battery pack.

**Use appliances only with specifically designated battery packs.** Use of any other battery packs may create a risk of injury and fire.

**When battery pack is not in use, keep it away from other metal objects, like paper clips, coins, keys, nails, screws or other small metal objects, that can make a connection from one terminal to another.** Shorting the battery terminals together may cause burns or a fire.

**Under abusive conditions, liquid may be ejected from the battery; avoid contact. If contact accidentally occurs, flush with water. If liquid contacts eyes, additionally seek medical help.** Liquid ejected from the battery may cause irritation or burns.

**Do not use a battery pack or appliance that is damaged or modified.** Damaged or modified batteries may exhibit unpredictable behavior resulting in fire, explosion or risk of injury.

**Do not expose a battery pack or appliance to fire or excessive temperature.** Exposure to fire or temperature above 265°F (130°C) may cause explosion.

**Follow all charging instructions and do not charge the battery pack or appliance outside of the temperature range specified in the instructions.** Charging improperly or at temperatures outside of the specified range may damage the battery and increase the risk of fire.

**Have servicing performed by a qualified repair person using only identical replacement parts.** This will ensure that the safety of the product is maintained.

**Do not modify or attempt to repair the appliance or the battery pack except as indicated in the instructions for use and care.**

**To reduce the risk of injury, close supervision is necessary when a product is used near children.**

**Do not contact hot parts.**

**Only use attachments recommended or sold by the manufacturer.**

**Do not use in the rain.**

**To reduce the risk of electrical shock, do not put the appliance in water or other liquid. Do not place or store appliance where it can fall or be pulled into a tub or sink.**

**To reduce the risk of injury, do not stare at operating lamp. Serious eye injury could occur.**

**To reduce the risk of burns, do not touch hot lens.**

**Do not operate flood lights in explosive atmospheres, such as in the presence of flammable liquids, gases or dust.** Flood lights create heat which may ignite the dust or fumes.

## FCC CAUTION

1. This device complies with Part 15 of the FCC Rules. Operation is subject to the following two conditions:
  - (1) This device may not cause harmful interference.
  - (2) This device must accept any interference received, including interference that may cause undesired operation.
2. Changes or modifications not expressly approved by the party responsible for compliance could void the user's authority to operate the equipment.

**NOTICE:** This equipment has been tested and found to comply with the limits for a Class B digital device, pursuant to Part 15 of the FCC Rules. These limits are designed to provide reasonable protection against harmful interference in a residential installation.

This equipment generates, uses, and can radiate radio frequency energy and, if not installed and used in accordance with the instructions, may cause harmful interference to radio communications. However, there is no guarantee that interference will not occur in a particular installation. If this equipment does cause harmful interference to radio or television reception, which can be determined by turning the equipment off and on, the user is encouraged to try to correct the interference by one or more of the following measures:










- Reorient or relocate the receiving antenna.
- Increase the separation between the equipment and receiver.
- Connect the equipment into an outlet on a circuit different from that to which the receiver is connected.
- Consult the dealer or an experienced radio/TV technician for help.







**People with electronic devices, such as pacemakers, should consult their physician(s) before using this product. Operation of electrical equipment in close proximity to a heart pacemaker could cause interference or failure of the pacemaker.**







# SYMBOLS

**IMPORTANT:** Some of the following symbols may be used on your tool. Please study them and learn their meaning. Proper interpretation of these symbols will allow you to operate the tool better and safer.

Symbol	Name	Designation/Explanation
V	Volts	Voltage
A	Amperes	Current
Hz	Hertz	Frequency (cycles per second)
W	Watt	Power
kg	Kilograms	Weight
min	Minutes	Time
s	Seconds	Time
Wh	Watt-hours	Battery capacity
Ah	Ampere-hours	Battery capacity
∅	Diameter	Size of drill bits, grinding wheels, etc.
n <sub>0</sub>	No load speed	Rotational speed, at no load
n	Rated speed	Maximum attainable speed
.../min	Revolutions or reciprocations per minute (rpm)	Revolutions, strokes, surface speed, orbits, etc. per minute
O	Off position	Zero speed, zero torque...
1,2,3,... I,II,III,	Selector settings	Speed, torque, or position settings. Higher number means greater speed
0 	Infinitely variable selector with off	Speed is increasing from 0 setting
	Arrow	Action in the direction of arrow
	Alternating current (AC)	Type or a characteristic of current
	Direct current (DC)	Type or a characteristic of current
	Alternating or direct current (AC / DC)	Type or a characteristic of current
	Class II tool	Designates Double Insulated Construction tools.
	Protective earth	Grounding terminal
	Li-ion RBRC seal	Designates Li-ion battery recycling program
	Read the instructions	Alerts user to read manual

Symbol	Name	Designation/Explanation
	Wear eye protection symbol	Alerts user to wear eye protection
	Always operate with two hands	Alerts user to always operate with two hands
	Do not use the guard for cut-off operations	Do not use the guard for cut-off operations
	Warning symbol	Do not stare at operating lamp

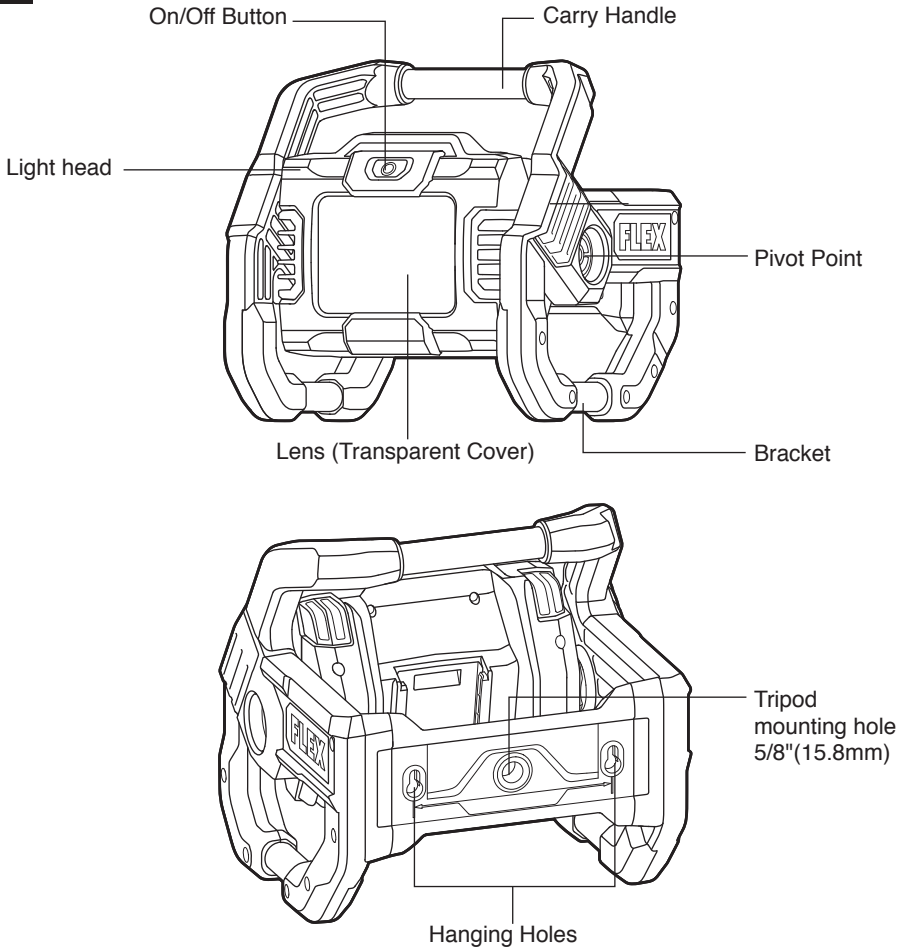
## SYMBOLS (CERTIFICATION INFORMATION)

Symbol	Designation/Explanation
	This symbol designates that this tool is listed by Underwriters Laboratories.
	This symbol designates that this component is recognized by Underwriters Laboratories.
	This symbol designates that this tool is listed by Underwriters Laboratories, to United States and Canadian Standards.
	This symbol designates that this tool is listed by the Canadian Standards Association.
	This symbol designates that this tool is listed by the Canadian Standards Association, to United States and Canadian Standards.
	This symbol designates that this tool is listed by the Intertek Testing Services, to United States and Canadian Standards.

# FUNCTIONAL DESCRIPTIONS AND SPECIFICATIONS

## Jobsite Flood light

**Fig. 1**



Model No.	FX5131
Rated Voltage	24 V d.c.
Luminous Flux (brightness)	2000/1000/500 Lumens
Head pivot range	0-360°
Recommended operating temperature	-4 – 104°F (-20 – 40°C)
Recommended storage temperature	< 122°F (< 50°C)

# ASSEMBLY

## TO ATTACH/DETACH BATTERY PACK (FIG. 2)

Fig. 2

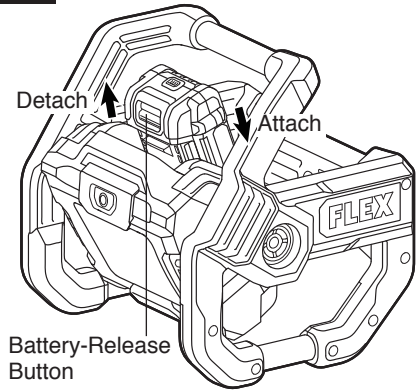
### a. To attach the battery pack:

Align the raised rib on the battery pack with the grooves in the tool, and then slide the battery pack onto the tool.

**NOTICE:** When placing the battery pack onto the tool, be sure that the raised rib on the battery pack aligns with the groove inside the tool and that the latches snap into place properly. Improper attachment of the battery pack can cause damage to internal components.

### b. To detach the battery pack:

Depress the battery-release button located on the front of the battery pack, to release the battery pack. Pull the battery pack out and remove it from the tool.



## MOUNTING THE FLOOD LIGHT TO THE WALL (FIG. 3)

Fig. 3

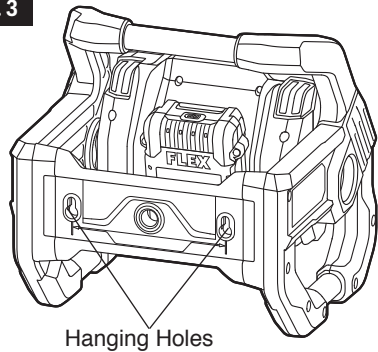
Your tool is equipped with a pair of hanging holes for convenient storage.

a. Install screws in the wall 5-9/32 in (134mm) apart. Use screws sufficiently strong to hold the combined weight of the flood light and battery pack.

b. Align the hanging holes with these two screws, hang the flood light onto them.

**⚠ WARNING** Ensure the flood light is firmly secured in place.

Unsecured flood light may fall resulting in personal injuries and/or property damage.

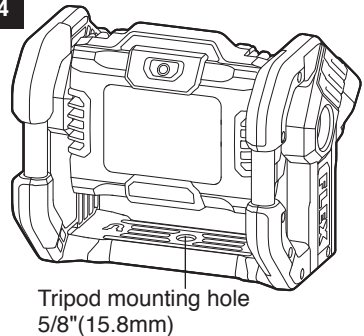


## MOUNTING THE FLOOD LIGHT TO A TRIPOD (NOT INCLUDED)

Fig. 4

Choose a suitable tripod with 5/8" screw, thread the 5/8" screw into the tripod mounting hole on the flood light (Fig. 4).

**⚠ WARNING** Ensure the flood light is securely mounted on your tripod. Unsecured flood light may fall resulting in personal injuries and/or property damage.



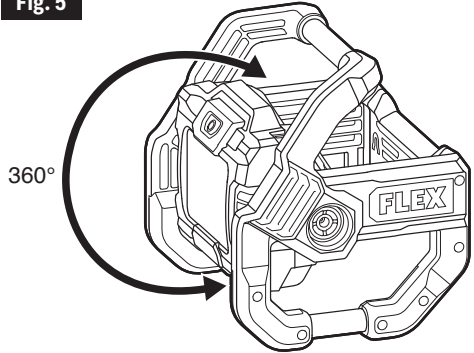


## ADJUSTMENTS

### SWIVELING THE LIGHT HEAD (FIG. 5)

The light head can be swiveled from 0° to 360° in 30° increments to suit the application at hand.

Fig. 5



## OPERATING INSTRUCTIONS

**⚠ WARNING** To reduce the risk of fire, personal injury, and product damage due to a short circuit, never immerse your tool, battery pack or charger in fluid or allow a fluid to flow inside them.

Corrosive or conductive fluids, such as seawater, certain industrial chemicals, and bleach or bleach-containing products, etc. can cause a short circuit.

**⚠ WARNING** If any parts are damaged or missing, do not operate this product until the parts are replaced. Use of this product with damaged or missing parts could result in serious personal injury.

**⚠ WARNING** Do not attempt to modify this tool or create accessories not recommended for use with this tool. Any such alteration or modification is misuse and could result in a hazardous condition leading to possible serious injury.

**⚠ WARNING** To prevent accidental starting that could cause serious personal injury, always remove the battery pack from the tool when assembling parts.

This Jobsite flood light must be used only with the battery packs and chargers listed below:

Battery Pack				Charger	
2.5Ah	5Ah	8Ah	12Ah		
FLEX FX0111	FLEX FX0121	FLEX FX0221	FLEX FX0231	FLEX FX0411	FLEX FX0421

**NOTICE:** Please refer to the battery pack and charger manuals for detailed operating information.

### THREE-STAGE BRIGHTNESS ADJUSTMENT CONTROLLED BY ON/OFF BUTTON (FIG. 6)

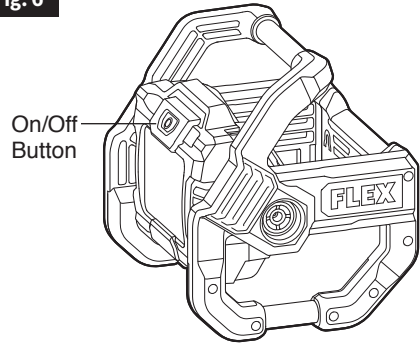
Your flood light is equipped with a three-stage brightness adjustment, providing different light intensities for your operation.

Press the on/off button briefly to cycle through the three-stage brightness, each press changes one stage brightness.

See more details below:

- To turn the flood light ON, press the ON/OFF button. The flood light will be turned on at maximum brightness.
- To reduce the brightness successively, press the ON/OFF button again and then a third time.
- To turn it OFF, press the ON/OFF button again (a fourth time).

Fig. 6



## MAINTENANCE

**⚠ WARNING** To avoid serious personal injury, always remove the battery pack from the tool when cleaning or performing any maintenance.

### SERVICE

**⚠ WARNING** Preventive maintenance performed by unauthorized personnel may result in misplacing of internal wires and components which could cause a serious hazard. We recommend that all tool service be performed by a FLEX Factory Service Center or Authorized FLEX Service Station.

### GENERAL MAINTENANCE

**⚠ WARNING** When servicing, use only identical replacement parts. Use of any other parts could create a hazard or cause product damage. Periodically inspect the entire product for damaged, missing, or loose parts such as screws, nuts, bolts, caps, etc. Tighten securely all fasteners and caps and do not operate this product until all missing or damaged parts are replaced. Please contact customer service or an authorized service center for assistance.

### CLEANING

**⚠ WARNING** The tool may be cleaned most effectively with compressed dry air. Always wear safety goggles when cleaning tools with compressed air. Ventilation openings and switch levers must be kept clean and free of foreign matter. Do not attempt to clean by inserting pointed objects through openings.

**⚠ WARNING** Certain cleaning agents and solvents damage plastic parts. Some of these are: gasoline, carbon tetrachloride, chlorinated cleaning solvents, ammonia and household detergents that contain ammonia.

### STORAGE

Store the tool indoors in a place that is inaccessible to children. Keep away from corrosive agents.

## FLEX 5 YEAR LIMITED WARRANTY

Chervon North America, Inc. ("Seller") warrants to the original purchaser only, that all FLEX 24V products will be free from defects in material or workmanship for a period of five years from date of purchase when the original purchaser registers the product within 30 days from the date of original retail purchase and retains their receipt as proof of purchase. THE 5-YEAR LIMITED WARRANTY PERIOD IS CONDITIONED ON REGISTRATION OF THE PRODUCT WITHIN 30 DAYS OF PURCHASE AND ONLY APPLICABLE TO FLEX 24V TOOLS, BATTERIES AND CHARGERS. If the original purchaser does not register their product within 30 days, the foregoing limited warranty will apply for a duration of three years. Product registration can be completed online at [www.registermyflex.com](http://www.registermyflex.com).

**24V Tools:** 5-Year Limited Warranty with Registration

**24V Batteries and Chargers:** 5-Year Limited Warranty with Registration

**Corded, 12V and 20V FLEX Legacy Products:** 1-Year Limited Warranty, No Registration Benefit

**Accessories and Attachments:** No Warranty

SELLER'S SOLE OBLIGATION AND YOUR EXCLUSIVE REMEDY under this 5-Year Limited Warranty and, to the extent permitted by law, any warranty or condition implied by law, shall be the repair or replacement of parts, without charge, which are defective in material or workmanship and which have not been misused, carelessly handled, or repaired by persons other than a FLEX Authorized Service Dealer. This warranty does not cover part failure due to normal wear and tear. To make a claim under warranty, return the complete product, transportation prepaid, to any FLEX Authorized Service Dealer. For Authorized FLEX Service Dealers, please visit [www.registermyflex.com](http://www.registermyflex.com) or call 1-833-FLEX-496 (1-833-353-9496).

This 5-Year Limited Warranty does not apply to accessories, attachments or parts.

Any implied warranties applicable to a product shall be limited in duration equal to the duration of the express warranties applicable to such product, as set forth in the first paragraph above. Some states in the U.S. and some Canadian provinces do not allow limitations on how long an implied warranty lasts, so the above limitation may not apply.

FLEX is not responsible for direct, indirect, incidental or consequential damages. Some U.S. states and Canadian provinces do not allow limitations on how long an implied warranty lasts and/or do not allow the exclusion or limitation of incidental or consequential damages, so the above limitations or exclusions may not apply. This limited warranty gives you specific legal rights, and you may also have other rights which vary by state in the U.S. and by province in Canada.

This limited warranty applies only to products sold within the United States of America, Canada and the commonwealth of Puerto Rico. For warranty coverage within other countries, contact your local FLEX dealer.

© Chervon North America, 1203 E. Warrenville Rd., Naperville, IL 60563

[www.flexpowertools.com](http://www.flexpowertools.com)





[www.registermyflex.com](http://www.registermyflex.com)

1-833-FLEX-496 (1-833-353-9496)

## SYMBOLES RELATIFS À LA SÉCURITÉ

La raison d'être des symboles relatifs à la sécurité est d'attirer votre attention sur des dangers possibles. Il est important de vous familiariser avec les symboles relatifs à la sécurité et les explications qui les accompagnent afin de bien les comprendre. Les avertissements et les symboles associés ne suffisent pas à éliminer tous les dangers. Les instructions et les avertissements qu'ils donnent ne sauraient remplacer des mesures de prévention des accidents appropriées.

**⚠ AVERTISSEMENT** Lisez toutes les consignes de sécurité qui sont contenues dans ce Mode d'emploi, y compris tous les symboles d'alerte relatifs à la sécurité tels que « **DANGER** », « **AVERTISSEMENT** » et « **MISE EN GARDE** », et assurez-vous que vous les comprenez bien avant de commencer à utiliser cet outil. La non-observation de toutes les instructions figurant ci-après pourrait causer un choc électrique, un incendie et/ou des blessures personnelles graves.

Les définitions ci-dessous décrivent le niveau de gravité pour chaque terme signalant un danger. Veuillez lire le mode d'emploi et lire la signification de ces symboles.	
	C'est le symbole d'alerte relatif à la sécurité. Il est utilisé pour vous avertir de l'existence possible d'un danger de lésion corporelle. Obéissez à tous les messages relatifs à la sécurité qui suivent ce symbole pour éviter tout risque de blessure ou même de mort.
	DANGER indique une situation dangereuse qui, si elle n'est pas évitée, causera la mort d'une personne ou une blessure grave.
	AVERTISSEMENT indique une situation dangereuse qui, si elle n'est pas évitée, causera la mort d'une personne ou une blessure grave.
	MISE EN GARDE, conjointement avec le symbole d'alerte en liaison avec la sécurité, indique une situation dangereuse qui, si elle n'est pas évitée, causera une blessure légère ou modérée.

### Messages d'information et de prévention des dommages

Ils informent l'utilisateur d'informations et/ou d'instructions importantes qui pourraient entraîner des dommages matériels ou aux équipements s'ils ne sont pas suivis. Chaque message est précédé par le terme « AVIS », comme dans l'exemple ci-dessous :

**AVIS:** Un dommage matériel et/ou aux équipements peut survenir si ces instructions ne sont pas suivies.



**⚠ AVERTISSEMENT** Pendant leur fonctionnement, les outils électriques peuvent projeter des corps étrangers dans les yeux de leur utilisateur et lui infliger de graves blessures aux yeux. Portez toujours des lunettes de protection ou des lunettes de sécurité à écrans latéraux et un masque couvrant tout le visage lors de l'utilisation de ce produit. Nous recommandons de porter un masque de sécurité à vision latérale large au-dessus des lunettes ordinaires ou des lunettes de sécurité standard avec des écrans de protection sur les côtés. Utilisez toujours un équipement de protection des yeux indiquant qu'il est conforme à la norme ANSI Z87.1.

## AVERTISSEMENTS IMPORTANTS RELATIFS À LA SÉCURITÉ

**⚠ AVERTISSEMENT** Lisez tous les avertissements relatifs à la sécurité, les instructions, les illustrations et les spécifications fournis avec cet outil électrique. Le non-respect de toutes les instructions figurant ci-après pourrait causer un choc électrique, un incendie et/ou des blessures graves.

**Prévenez une mise en marche accidentelle. Assurez-vous que l'interrupteur est dans la position d'arrêt avant de le connecter au bloc-piles, ou de soulever ou de transporter l'appareil.** Le fait de transporter un outil électrique avec le doigt sur l'interrupteur ou de le mettre sous tension avec l'interrupteur en position de marche invite les accidents.

**Débranchez le bloc-piles de l'appareil électrique avant d'y apporter de quelconques modifications, de changer des accessoires ou de ranger l'appareil.** De telles mesures de sécurité préventives réduisent le risque de démarrage accidentel de l'appareil.

**Ne dirigez pas le faisceau lumineux vers des personnes ou des animaux de compagnie, et évitez de regarder directement la source de la lumière, même depuis une certaine distance.**

**Ne rechargez les blocs-piles qu'avec le chargeur indiqué par le fabricant.** Un chargeur qui est approprié pour un type de bloc-piles pourrait créer un risque d'incendie quand il est utilisé avec un autre bloc-piles.

**Utilisez votre outil exclusivement avec des blocs-piles conçus spécifiquement pour celui-ci.** L'emploi de tout autre bloc-piles risquerait de causer des blessures et un incendie.

**Lorsque le bloc-piles n'est pas utilisé, gardez-le à une distance suffisante des autres objets en métal, comme des trombones, pièces de monnaie, clés, clous, vis ou autres petits objets en métal qui pourraient faire une connexion entre une borne et une autre.** Le court-circuitage des bornes d'une pile pourrait causer des brûlures ou un incendie.

**Dans des conditions d'utilisation abusives, du liquide pourrait être éjecté de la pile; évitez tout contact. En cas de contact accidentel, lavez avec de l'eau. En cas de contact de liquide avec les yeux, consultez un professionnel de santé.** Tout liquide éjecté d'une pile peut causer de l'irritation ou des brûlures.

**N'utilisez pas un bloc-piles ou un appareil électrique qui est endommagé ou a été modifié.** Des piles endommagées ou modifiées peuvent se comporter de façon imprévisible et causer un incendie, une explosion ou des blessures.

**N'exposez pas un bloc-piles ou un appareil électrique à un incendie ou à une température excessive.** L'exposition à un incendie ou à une température supérieure à 130° C / 265° F pourrait causer une explosion.

**Suivez toutes les instructions relatives à la charge et ne chargez pas le bloc-piles ou l'appareil électrique en dehors de la plage de température indiquée dans les instructions.** Une charge dans des conditions inappropriées ou à des températures en dehors de la plage spécifiée pourrait endommager les piles et augmenter le risque d'incendie.

**Faites entretenir votre produit par un réparateur compétent n'utilisant que des pièces de rechange identiques.** Ceci assurera le maintien de la sécurité du produit.

**Ne modifiez pas et ne tentez pas de réparer cet appareil électrique ou le bloc-piles, sauf conformément à ce qui est indiqué dans les instructions d'entretien et le mode d'emploi.**

**Pour réduire le risque de blessure, une supervision attentive est nécessaire lorsqu'un appareil est utilisé à proximité d'enfants.**

**Ne touchez pas les pièces très chaudes.**

**N'utiliser que les accessoires recommandés ou vendus par le fabricant.**

**Ne pas utiliser sous la pluie.**

**Pour réduire le risque de choc électrique, n'immergez pas cet appareil électrique dans de l'eau ou dans tout autre liquide. Ne placez ou ne rangez pas l'appareil à un endroit où il pourrait tomber ou être attiré dans une baignoire ou dans un évier.**

**Pour réduire le risque de blessure, ne regardez pas directement la lampe allumée. Ceci pourrait causer de graves blessures aux yeux.**

**Ne touchez pas une lentille très chaude pour réduire le risque de brûlure.**

**N'utilisez pas des lampes baladeuses d'éclairage de zone dans une atmosphère explosive, par exemple en présence de liquides, de gaz ou de poussières inflammables.** La lumière d'un projecteur produit de la chaleur, qui pourrait mettre le feu à de la poussière ou à des vapeurs.

### **MISE EN GARDE DE LA FCC**

1. Ce dispositif est conforme à la Partie 15 des Règlements de la FCC. Son utilisation est autorisée moyennant le respect des deux conditions suivantes :
  - (1) Ce dispositif ne doit pas causer d'interférences préjudiciables.
  - (2) Ce dispositif doit accepter toute interférence reçue, y compris les interférences qui risquent de causer un fonctionnement indésirable de l'équipement.
2. Toute modification ou altération de ce dispositif n'ayant pas été approuvée expressément par la partie responsable de la conformité pourrait annuler le droit de l'utilisateur de se servir de cet équipement.

**AVIS :** Cet équipement a été testé et jugé conforme aux limites pour un équipement numérique de Classe B en vertu de la Partie 15 des Règlements de la FCC. Ces limites sont conçues pour assurer une protection raisonnable contre les interférences nuisibles dans une installation résidentielle.

Cet équipement émet, utilise et peut rayonner de l'énergie de fréquence radio et, s'il n'est pas installé et utilisé conformément aux instructions, il pourrait causer des interférences nuisibles aux communications radio. Cependant, il n'existe aucune garantie qu'aucune interférence ne se produira dans une installation particulière. Si cet équipement cause des interférences nuisibles pour la réception de programmes à la radio ou à la télévision, ce qui peut être déterminé en allumant et en éteignant à plusieurs reprises l'équipement en question, l'utilisateur est encouragé à corriger l'interférence en prenant une ou plusieurs des mesures suivantes :









- Réorienter ou déplacer l'antenne de réception.
- Augmenter la distance entre l'équipement et le récepteur.
- Connecter l'équipement à une prise de courant raccordée à un circuit différent de celui auquel le récepteur est connecté.
- Consulter le détaillant ou un technicien radio ou télévision expérimenté pour lui demander conseil.








**Les personnes ayant des appareils électroniques tels que des stimulateurs cardiaques devraient consulter leur(s) médecin(s) avant d'utiliser ce produit. L'utilisation d'équipements électriques à proximité immédiate d'un stimulateur cardiaque pourrait causer des interférences ou la défaillance du stimulateur cardiaque.**







## SYMBOLES

**IMPORTANT** : Les symboles suivants peuvent figurer sur votre outil. Familiarisez-vous avec eux et apprenez leur signification. En comprenant ces symboles, vous serez en mesure de faire fonctionner cet outil de façon adéquate et sécuritaire.

Symbole	Nom	Forme au long et explication
V	Volts	Tension
A	Ampères	Courant
Hz	Hertz	Fréquence (cycles par seconde)
W	Watt	Puissance
kg	Kilogrammes	Poids
min	Minutes	Durée
s	Secondes	Durée
Wh	Watheures	Capacité de la pile
Ah	Ampères-heures	Capacité de la pile
Ø	Diamètre	Taille des forets, des meules, etc.
$n_0$	Vitesse à vide	Vitesse de rotation à vide
n	Vitesse nominale	Vitesse maximale atteignable
.../min	Nombre de tours ou mouvements de va-et-vient par minute (tr/min)	Tours, coups, vitesse périphérique, orbites, etc., par minute
O	Position d'arrêt	Vitesse nulle, couple nul...
1,2,3,... I,II,III,	Réglages du sélecteur	Réglages de la vitesse, du couple ou de la position. Plus le nombre est élevé, plus la vitesse est grande.
	Sélecteur à réglage continu avec mode d'arrêt	La vitesse augmente à partir du réglage 0
	Flèche	L'activation se fait dans le sens de la flèche
	Courant alternatif (c.a.)	Type de courant ou caractéristique de courant
	Courant continu (c.c.)	Type de courant ou caractéristique de courant
	Courant alternatif ou continu (c.a./c.c.)	Type de courant ou caractéristique de courant
	Outil de classe II	Désigne les outils de construction à double isolation
	Mise à la terre de protection	Borne de mise à la terre
	Label du programme de recyclage des piles au lithium-ion de la RBRC	Désigne le programme de recyclage des piles au lithium-ion

Symbole	Nom	Forme au long et explication
	Lisez les instructions	Invite l'utilisateur à lire le manuel
	Symbole du port de lunettes de sécurité	Alerte l'utilisateur pour lui demander de porter une protection des yeux.
	Utilisez toujours les deux mains	Alerte l'utilisateur pour lui demander de toujours tenir l'outil avec les deux mains
	N'utilisez pas le dispositif de protection pour les opérations de tronçonnage	Alerte l'utilisateur pour lui demander de ne pas utiliser le dispositif de protection pour les opérations de tronçonnage
	Symbole d'avertissement	Ne regardez pas directement une lampe allumée.

## SYMBOLES (RENSEIGNEMENTS EN MATIÈRE D'HOMOLOGATION)

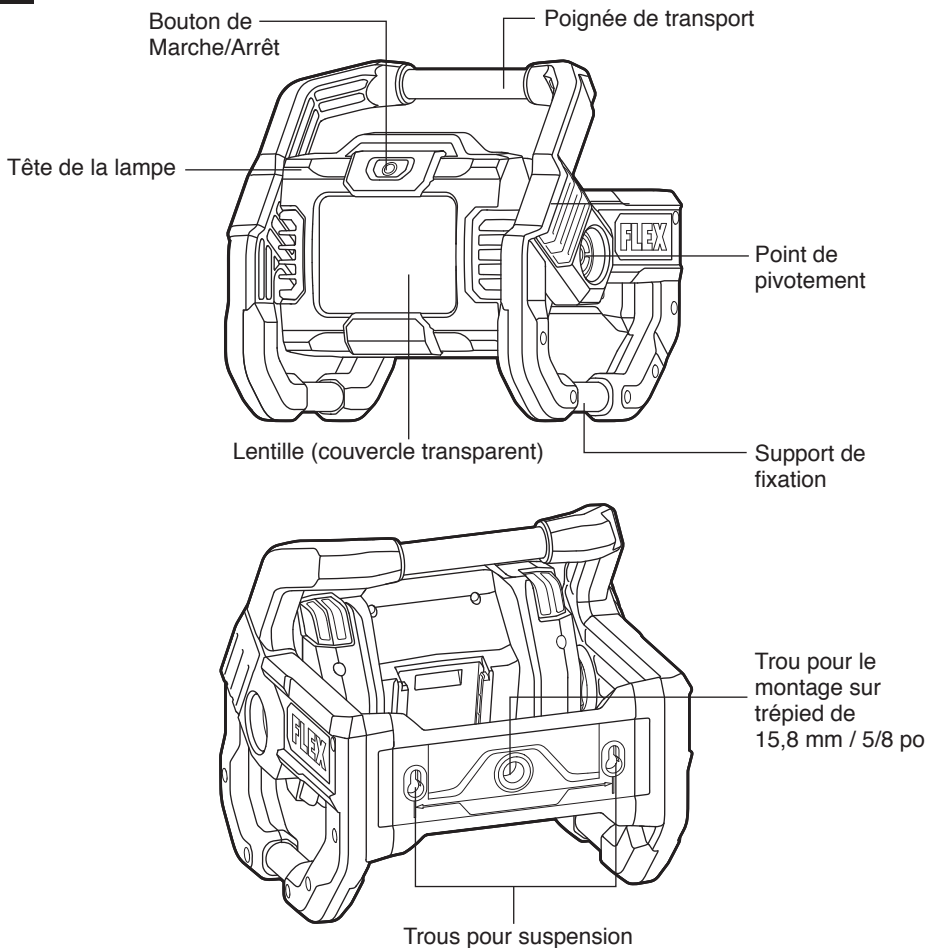
Symbole	Forme au long et explication
	Ce symbole indique que cet outil est répertorié par Underwriters Laboratories.
	Ce symbole indique que cet outil est reconnu par Underwriters Laboratories.
	Ce symbole indique que cet outil est répertorié par Underwriters Laboratories et qu'il est conforme aux normes américaines et canadiennes.
	Ce symbole indique que cet outil est répertorié par l'Association canadienne de normalisation.
	Ce symbole indique que cet outil est répertorié par l'Association canadienne de normalisation et qu'il est conforme aux normes américaines et canadiennes.
	Ce symbole indique que cet outil est répertorié par Intertek Testing et qu'il est conforme aux normes américaines et canadiennes.



# DESCRIPTIONS ET SPÉCIFICATIONS FONCTIONNELLES

## Projecteur de chantier

Fig. 1



Modèle N°	FX5131
Tension nominale	24 V c.c.
Flux lumineux (luminosité)	2 000/1 000/500 lumens
Plage de pivotement de la tête	0-360°
Température de fonctionnement recommandée	-20 – 40°C° / 4 – 104° F
Température de stockage recommandée	< 50° C / < 122° F

## ASSEMBLAGE

### POUR ATTACHER/DÉTACHER LE BLOC-PILES (FIG. 2)

#### a. Pour attacher le bloc-piles:

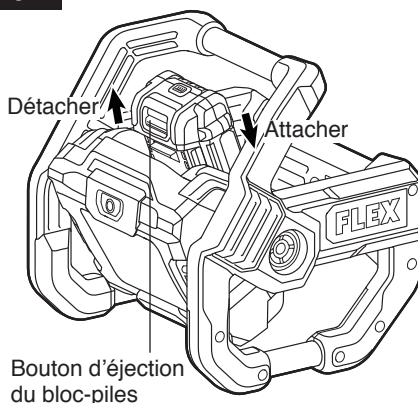
Alignez la nervure surélevée du bloc-piles sur les rainures de l'outil, puis faites glisser le bloc-piles sur l'outil.

**AVIS:** Lorsque vous placez le bloc-piles sur l'outil, assurez-vous que la nervure surélevée sur le bloc-piles s'aligne sur la rainure à l'intérieur de l'outil et que les loquets de verrouillage se ferment correctement. Une fixation incorrecte du bloc-piles peut endommager des composants internes.

#### b. Pour détacher le bloc-piles:

Appuyez sur le bouton d'éjection du bloc-piles, qui est situé à l'avant du bloc-piles, pour éjecter le bloc-piles. Tirez sur le bloc-piles pour le faire sortir et retirez-le de l'outil.

Fig. 2



Bouton d'éjection du bloc-piles

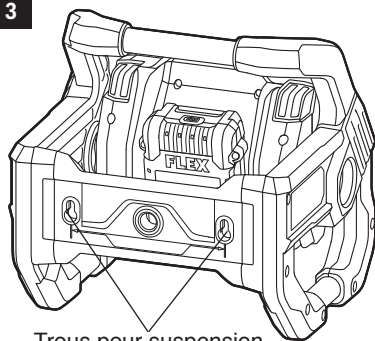
### MONTAGE DU PROJECTEUR SUR LE MUR (FIG. 3)

Votre outil est pourvu d'une paire de trous de suspension pour permettre un rangement pratique.

- Installez les vis dans le mur à 134 mm / 5-9/32 po l'une de l'autre. Utilisez des vis assez robustes pour tenir le poids combiné du projecteur et du bloc-piles.
- Alignez les trous de suspension sur ces deux vis, et accrochez le projecteur sur celles-ci.

**⚠ AVERTISSEMENT** Assurez-vous que le projecteur est sécurisé fermement en place. Un projecteur non sécurisé risquerait de tomber et de causer des blessures et/ou des dommages matériels.

Fig. 3



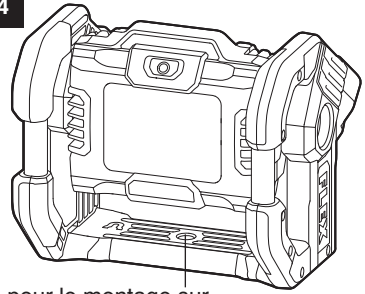
Trous pour suspension

## MONTAGE DU PROJECTEUR SUR UN TRÉPIED (NON INCLUS)

Choisissez un trépied approprié avec une vis de 15,8 mm / 5/8 po, enfilez la vis de 15,8 mm / 5/8 po dans le trou de montage du trépied sur le projecteur (Fig. 4).

**⚠ AVERTISSEMENT** Assurez-vous que le projecteur est monté sur votre trépied de façon sécurisée. Un projecteur non sécurisé risquerait de tomber et de causer des blessures et/ou des dommages matériels.

Fig. 4



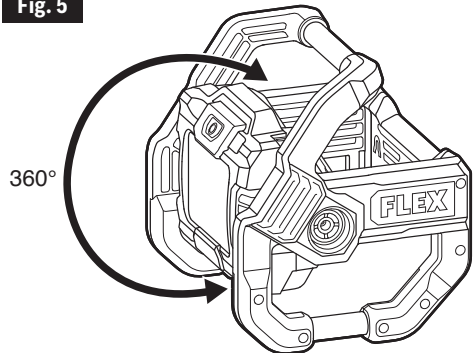
Trou pour le montage sur trépied de 15,8 mm / 5/8 po

## RÉGLAGES

### PIVOTEMENT DE LA TÊTE D'ÉCLAIRAGE (FIG. 5)

La tête d'éclairage peut pivoter de 0° à 360° par incréments de 30° en fonction des besoins de votre application.

Fig. 5



# INSTRUCTIONS POUR L'UTILISATION

**⚠ AVERTISSEMENT** Pour réduire le risque d'incendie, de blessures et de dommages au produit dus à un court-circuit, ne plongez jamais votre outil, le bloc-piles ou le chargeur dans un liquide, et ne laissez pas de liquide s'écouler à l'intérieur de ceux-ci. Des liquides corrosifs ou conducteurs tels que l'eau de mer, certains produits chimiques industriels, l'eau de Javel ou des produits contenant de l'eau de Javel, etc. peuvent causer un court-circuit.

**⚠ AVERTISSEMENT** Si certaines pièces sont endommagées ou manquantes, n'utilisez pas ce produit avant que ces pièces aient

été remplacées. L'utilisation de ce produit avec des pièces endommagées ou manquantes pourrait causer des blessures graves.

**⚠ AVERTISSEMENT** Ne tentez pas de modifier cet outil ou de créer des accessoires qu'il n'est pas recommandé d'utiliser avec cet outil. Une telle altération ou modification constituerait une utilisation abusive et pourrait créer une situation dangereuse avec risque de blessures graves.

**⚠ AVERTISSEMENT** Pour empêcher tout démarrage accidentel qui pourrait causer une blessure grave, retirez toujours le bloc-piles de l'outil lorsque vous effectuez le montage de pièces.

Ce projecteur de chantier ne doit être utilisé qu'avec les blocs-piles et les chargeurs indiqués ci-dessous:

Bloc-piles				Chargeur	
2.5Ah	5Ah	8Ah	12Ah		
FLEX FX0111	FLEX FX0121	FLEX FX0221	FLEX FX0231	FLEX FX0411	FLEX FX0421

**AVIS:** Veuillez vous référer aux modes d'emploi du bloc-piles et du chargeur pour plus d'informations sur le fonctionnement.

## RÉGLAGE DE L'INTENSITÉ LUMINEUSE (TROIS OPTIONS) AVEC LE BOUTON DE MARCHE/ARRÊT (FIG. 6)

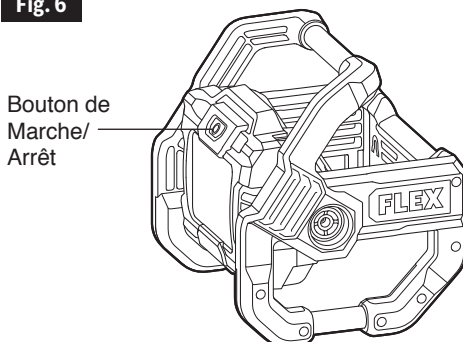
Votre outil est pourvu d'un mécanisme de réglage de l'intensité lumineuse à trois options qui vous permet de fournir des intensités lumineuses différentes en fonction de vos besoins.

Appuyez brièvement sur le bouton de marche/arrêt pour activer tour à tour chacune des trois intensités lumineuses possibles.

Voir plus de détails ci-dessous:

- Pour allumer le projecteur, appuyez sur le bouton de marche/arrêt. Le projecteur sera alors allumé à l'intensité lumineuse maximum.
- Pour réduire l'intensité lumineuse avec succès, appuyez à nouveau sur le bouton de marche/arrêt, puis appuyez dessus une troisième fois.
- Pour éteindre le projecteur, appuyez à nouveau (une quatrième fois) sur le bouton de marche/arrêt.

**Fig. 6**



# MAINTENANCE

**⚠ AVERTISSEMENT** Pour éviter des blessures graves, retirez toujours le bloc-piles de l'outil lorsque vous le nettoyez ou quand vous effectuez des travaux de maintenance.

## SERVICE APRÈS-VENTE

**⚠ AVERTISSEMENT** Une maintenance préventive effectuée par une personne non autorisée pourrait entraîner un placement incorrect de fils et composants internes, ce qui pourrait être très dangereux. Nous recommandons que toutes les opérations de maintenance de cet outil soient effectuées par un centre de service après-vente usine FLEX ou par un poste de service agréé par FLEX.

## MAINTENANCE GÉNÉRALE

**⚠ AVERTISSEMENT** Lors de toute réparation, n'utilisez que des pièces de rechange identiques. L'utilisation de toutes autres pièces de rechange pourrait créer un danger ou endommager le produit. Inspectez périodiquement l'intégralité du produit pour vous assurer qu'il n'y a pas de pièces endommagées, manquantes ou desserrées comme des vis, des écrous, des boulons, des capuchons, etc. Serrez à fond tous les dispositifs de fixation et capuchons, et ne vous servez pas de ce produit avant que toutes les pièces manquantes ou endommagées aient été remplacées. Veuillez contacter le service à la clientèle ou un centre de service après-vente agréé pour obtenir de l'assistance.

## NETTOYAGE

**⚠ AVERTISSEMENT** La façon la plus efficace de nettoyer l'outil est en utilisant un jet d'air comprimé sec. Portez toujours des lunettes de sécurité lorsque vous nettoyez des outils avec de l'air comprimé. Les ouvertures de ventilation et les leviers de l'interrupteur doivent être gardés propres et ne doivent être obstrués par aucun corps étranger. Ne tentez pas de les nettoyer en insérant des objets pointus à travers les ouvertures.

**⚠ AVERTISSEMENT** Certains agents de nettoyage et solvants peuvent endommager les pièces en plastique. Citons notamment : l'essence, le tétrachlorure de carbone, les solvants de nettoyage chlorés, l'ammoniac et les détergents ménagers contenant de l'ammoniac.

## STOCKAGE

Rangez l'outil à l'intérieur, à un endroit qui est hors de portée des enfants. Conservez-le à distance des agents corrosifs.

## GARANTIE LIMITE DE CINQ ANS

Chervon North America, Inc. (« Vendeur ») garantit uniquement à l'acheteur d'origine que tous les produits FLEX de 24 V seront exempts de tout défaut de matériel ou de fabrication pendant une période de cinq ans à compter de la date d'achat lorsque l'acheteur d'origine enregistre le produit dans les 30 jours suivant la date d'achat au détail et conserve son reçu comme preuve de l'achat. LA PÉRIODE DE GARANTIE LIMITÉE DE CINQ ANS EST CONDITIONNÉE PAR L'ENREGISTREMENT DU PRODUIT DANS LES 30 JOURS SUIVANT L'ACHAT ET NE S'APPLIQUE QU'AUX OUTILS, PILES ET CHARGEURS FLEX DE 24 V. Si l'acheteur d'origine n'enregistre pas son produit dans les 30 jours, la garantie limitée susmentionnée s'applique pour une durée de trois ans. L'enregistrement du produit peut être effectué en ligne à l'adresse suivante : [www.registermyflex.com](http://www.registermyflex.com).

**Outils de 24 V :** Garantie limitée de cinq ans avec l'enregistrement

**Piles et chargeurs de 24 V :** Garantie limitée de cinq ans avec l'enregistrement

**Produits filaires FLEX de la génération précédente de 12 V et de 20 V :** Garantie limitée d'un an; pas de bénéfices résultant de l'enregistrement

**Accessoires et attachements :** Pas de garantie

LA SEULE OBLIGATION DU VENDEUR ET VOTRE SEUL RECOURS dans le cadre de cette garantie limitée de cinq ans et, dans la mesure permise par la loi, toute garantie ou condition impliquée par la loi, sera la réparation ou le remplacement des pièces, sans frais, qui sont défectueuses en termes de matériel ou de fabrication et qui n'ont pas été utilisées de façon inappropriée, manipulées avec négligence ou réparées par des personnes autres qu'un concessionnaire réparateur autorisé de FLEX. Cette garantie ne couvre pas les défaillances des pièces dues à une usure normale. Pour faire une réclamation au titre de la garantie, renvoyez le produit complet, transport payé, à un concessionnaire réparateur autorisé de FLEX. Pour identifier des concessionnaires réparateurs autorisés de FLEX, veuillez vous rendre sur le site [www.registermyflex.com](http://www.registermyflex.com) ou téléphonez au 1-833-FLEX-496 (1-833-353-9496).

La présente garantie limitée de cinq ans ne s'applique pas aux accessoires, attachements ou pièces.

Toute garantie implicite applicable à un produit est limitée dans le temps à une durée égale à la durée des garanties expresses applicables à ce produit, comme indiqué au premier paragraphe ci-dessus. Étant donné que certains États des États-Unis et certaines provinces canadiennes n'autorisent pas la limitation de la durée d'une garantie implicite, la limitation ci-dessus peut ne pas s'appliquer.

FLEX n'est pas responsable des dommages directs, indirects, accidentels ou consécutifs. Étant donné que certains États des États-Unis et certaines provinces canadiennes n'autorisent pas la limitation de la durée d'une garantie implicite et/ou l'exclusion ou la limitation des dommages accessoires ou indirects, les limitations ou exclusions ci-dessus peuvent ne pas s'appliquer. Cette garantie limitée vous donne des droits légaux spécifiques, et vous pouvez également avoir d'autres droits qui varient selon les États des États-Unis et les provinces du Canada.

Cette garantie limitée s'applique uniquement aux produits vendus aux États-Unis d'Amérique, au Canada et dans le Commonwealth de Porto Rico. Pour connaître la couverture de la garantie dans les autres pays, contactez votre revendeur FLEX local.

© Chervon North America, 1203 E. Warrenville Rd., Naperville, IL 60563

[www.flexpowertools.com](http://www.flexpowertools.com)

[www.registermyflex.com](http://www.registermyflex.com)

1-833-FLEX-496 (1-833-353-9496)

## SÍMBOLOS DE SEGURIDAD

La finalidad de los símbolos de seguridad es atraer la atención del usuario hacia posibles peligros. Los símbolos de seguridad y las explicaciones que los acompañan merecen que usted preste una atención detenida y logre una comprensión profunda. Las advertencias con símbolo no eliminan por sí mismas ningún peligro. Las instrucciones y las advertencias que dichas instrucciones dan no son sustitutos de las medidas adecuadas de prevención de accidentes.

**⚠ ADVERTENCIA** Asegúrese de leer y entender todas las instrucciones de seguridad incluidas en este manual del operador, incluyendo todos los símbolos de alerta de seguridad, tales como “**PELIGRO**”, “**ADVERTENCIA**” y “**PRECAUCIÓN**”, antes de utilizar esta herramienta. Si no se siguen todas las instrucciones que se indican a continuación, es posible que el resultado sea descargas eléctricas, incendio y/o lesiones corporales graves.

Las definiciones que aparecen a continuación describen el nivel de gravedad de cada palabra de aviso. Por favor, lea el manual y preste atención a estos símbolos.

	Este es el símbolo de alerta de seguridad. Se utiliza para alertarle a usted de posibles peligros de lesiones corporales. Obedezca todos los mensajes de seguridad que sigan a este símbolo para evitar posibles lesiones o muerte.
<b>⚠ PELIGRO</b>	PELIGRO indica una situación peligrosa que, si no se evita, causará la muerte o lesiones graves.
<b>⚠ ADVERTENCIA</b>	ADVERTENCIA indica una situación peligrosa que, si no se evita, podría causar la muerte o lesiones graves.
<b>⚠ PRECAUCIÓN</b>	PRECAUCIÓN, cuando se utiliza con el símbolo de alerta de seguridad, indica una situación peligrosa que, si no se evita, causará lesiones leves o moderadas.

### Mensajes de prevención e información de daños

Estos mensajes ofrecen al usuario información e/o instrucciones importantes que hay que seguir para no causar daños al equipo u otros daños materiales. Cada mensaje va precedido por la palabra “**AVISO**”, como en el ejemplo que aparece a continuación:

**AVISO:** Es posible que ocurran daños al equipo y/o daños materiales si no se siguen estas instrucciones.



**⚠ ADVERTENCIA** La utilización de cualquier herramienta eléctrica puede hacer que se lancen objetos extraños hacia los ojos del operador, lo cual puede causar daños oculares graves. Antes de comenzar a utilizar una herramienta eléctrica, póngase siempre anteojos de seguridad o gafas de seguridad con escudos laterales y una careta completa cuando sea necesario. Recomendamos una máscara de seguridad de visión amplia para utilizarla sobre gafas o anteojos de seguridad estándar con escudos laterales. Utilice siempre protección ocular que esté marcada para cumplir con la norma ANSI Z87.1.

## ADVERTENCIAS DE SEGURIDAD IMPORTANTES

**⚠ ADVERTENCIA** Lea todas las advertencias de seguridad, instrucciones, ilustraciones y especificaciones suministradas con este

**electrodoméstico.** Es posible que si no se siguen todas las instrucciones que se indican a continuación el resultado sea descargas eléctricas, incendio y/o lesiones graves.

**Prevenga los arranques accidentales. Asegúrese de que el interruptor esté en la posición de apagado antes de conectar el electrodoméstico a un paquete de batería, levantarlo o transportarlo.** Si se transporta el electrodoméstico con el dedo en el interruptor o si se suministra corriente a un electrodoméstico que tenga el interruptor en la posición de encendido, se invita a que se produzcan accidentes.

**Desconecte el paquete de batería del electrodoméstico antes de hacer cualquier ajuste, cambiar accesorios o almacenar el electrodoméstico.** Dichas medidas preventivas de seguridad reducen el riesgo de arrancar accidentalmente el electrodoméstico.

**No dirija el rayo de luz hacia personas o animales domésticos y evite mirar fijamente a la luz incluso desde lejos.**

**Recargue los paquetes de batería solo con el cargador especificado por el fabricante.** Es posible que un cargador que sea adecuado para un tipo de paquete de batería cree un riesgo de incendio cuando se utilice con otro paquete de batería.

**Utilice los electrodomésticos solo con los paquetes de batería designados específicamente.** Es posible que el uso de cualquier otro paquete de batería cree un riesgo de lesiones e incendio.

**Cuando el paquete de batería no se esté utilizando, manténgalo alejado de otros objetos metálicos, tales como clips sujetapapeles, monedas, llaves, clavos, tornillos u otros objetos metálicos pequeños, que puedan hacer una conexión de un terminal al otro.** Si se cortocircuitan juntos los terminales de la batería es posible que se causen quemaduras o un incendio.

**En condiciones abusivas es posible que se expulse líquido de la batería; evite el contacto. Si se produce contacto accidentalmente, enjuáguese con agua. Si el líquido entra en contacto con los ojos, obtenga además ayuda médica.** Es posible que el líquido expulsado de la batería cause irritación o quemaduras.

**No utilice un paquete de batería o un electrodoméstico que esté dañado o modificado.** Es posible que las baterías dañadas o modificadas exhiban un comportamiento imprevisible que cause incendio, explosión o riesgo de lesiones.

**No exponga un paquete de batería o un electrodoméstico a un fuego o a una temperatura excesiva.** Es posible que la exposición a un fuego o a una temperatura superior a 265 °F (130 °C) cause una explosión.

**Siga todas las instrucciones de carga y no cargue el paquete de batería ni el electrodoméstico fuera del intervalo de temperatura especificado en las instrucciones.** Es posible que la realización de la carga de manera inadecuada o a temperaturas que estén fuera del intervalo especificado dañe la batería y aumente el riesgo de incendio.

**Haga que el servicio de ajustes y reparaciones sea realizado por un técnico de reparaciones calificado que utilice únicamente piezas de repuesto idénticas.** Esto garantizará que se mantenga la seguridad del producto.

**No modifique ni intente reparar el electrodoméstico o el paquete de batería, excepto tal y como se indique en las instrucciones de uso y cuidado.**

**Para reducir el riesgo de lesiones, se necesita supervisión estrecha cuando se utilice un producto cerca de niños.**

**No entre en contacto con piezas calientes.**

**Utilice solo aditamentos recomendados o vendidos por el fabricante.**

**No utilice la unidad en la lluvia.**

**Para reducir el riesgo de descargas eléctricas, no ponga el electrodoméstico en agua u otro líquido. No ponga ni almacene el electrodoméstico donde pueda caer o ser jalado a una tina o un lavamanos o fregadero.**



**Para reducir el riesgo de lesiones, no mire fijamente a la lámpara cuando esté en funcionamiento. Podrían ocurrir lesiones oculares graves.**

**Para reducir el riesgo de quemaduras, no toque el lente caliente.**

**No utilice reflectores en atmósferas explosivas, tales como las existentes en presencia de líquidos, gases o polvos inflamables.** Los reflectores generan calor, el cual es posible que incendie los polvos o los vapores.

### **PRECAUCIÓN DE LA FCC**

1. Este dispositivo cumple con la Parte 15 de las Reglas de la FCC. Su funcionamiento está sujeto a las dos condiciones siguientes:
  - (1) Este dispositivo no podrá causar interferencia perjudicial.
  - (2) Este dispositivo debe aceptar cualquier interferencia recibida, incluyendo aquella que pueda causar un funcionamiento no deseado.
2. Los cambios o modificaciones no aprobados expresamente por la parte responsable del cumplimiento normativo podrían invalidar la autoridad del usuario para utilizar el equipo.

**AVISO:** Este equipo ha sido sometido a pruebas y se ha comprobado que cumple con los límites para un dispositivo digital de Clase B, conforme a la Parte 15 de las Reglas de la FCC. Estos límites están diseñados para proporcionar una protección razonable contra la interferencia perjudicial en una instalación residencial.

Este equipo genera, utiliza y puede emitir energía de radiofrecuencia y, si no se instala y utiliza de acuerdo con las instrucciones, es posible que cause interferencia perjudicial para las radiocomunicaciones. Sin embargo, no hay garantía de que no vaya a ocurrir interferencia en una instalación específica. Si este equipo causa interferencia perjudicial para la recepción de radio o televisión, lo cual se puede determinar apagando y encendiendo el equipo, se insta al usuario a intentar corregir la interferencia mediante una o más de las siguientes medidas:



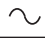





- Reorienta o reubica la antena receptora.
- Aumente la separación entre el equipo y el receptor.
- Conecte el equipo a un tomacorriente de un circuito distinto al circuito al cual el receptor está conectado.
- Consulte al distribuidor o a un técnico de radio/TV que tenga experiencia para obtener ayuda.








**Las personas con dispositivos electrónicos, tales como marcapasos, deberán consultar a su(s) médico(s) antes de utilizar este producto. La utilización de equipo eléctrico muy cerca de un marcapasos cardíaco podría causar interferencia o fallo del marcapasos.**

## SÍMBOLOS

**IMPORTANTE:** Puede que algunos de los siguientes símbolos aparezcan en la herramienta. Estúdielos y conozca su significado. La interpretación correcta de estos símbolos le permitirá utilizar la herramienta de manera eficaz y segura.

Símbolo	Nombre	Designación/Explicación
V	Voltios	Voltaje
A	Amperios	Corriente
Hz	Hertz	Frecuencia (ciclos por segundo)
W	Vatios	Alimentación
kg	Kilogramos	Peso
min	Minutos	Hora
s	Segundos	Hora
Wh	Vatio por horas	Capacidad de la batería
Ah	Amperios por hora	Capacidad de la batería
∅	Diámetro	Tamaño de las brocas para taladro, piedras de amolar, etc.
$n_0$	Velocidad sin carga	Velocidad de rotación sin carga
n	Rango de velocidad	Velocidad máxima alcanzable
.../min	Revoluciones o reciprocaciones por minuto (rpm)	Revoluciones, pasadas, velocidad de superficie, órbitas, etc. por minuto
O	Posición de apagado	Velocidad cero, torsión cero...
1,2,3,... I,II,III,	Ajustes del selector	Ajustes de velocidad, par o posición. Un número mayor significa mayor velocidad
	Selector de regulación continua con apagado	La velocidad aumenta desde el ajuste 0
	Flecha	Acción en la dirección de la flecha
	Corriente alterna (CA)	Tipo o característica de corriente
	Corriente continua (CC)	Tipo o característica de corriente
	Corriente alterna o continua (CA/CC)	Tipo o característica de corriente
	Herramienta de Clase II	Designa las herramientas de construcción con doble aislamiento
	Conexión a tierra de protección	Terminal de conexión a tierra
	Sello de iones de litio de RBRC	Designa el programa de reciclaje de baterías de iones de litio

Símbolo	Nombre	Designación/Explicación
	Lea las instrucciones	Indica al usuario que lea el manual
	Símbolo de use de lentes de protección	Alerta al usuario para que use protección ocular
	Utilice siempre la herramienta con las dos manos	Alerta al usuario para que utilice siempre la herramienta con las dos manos
	No utilice el protector para operaciones de tronzado	Alerta al usuario para que no utilice el protector para operaciones de tronzado
	Símbolo de advertencia	No mire fijamente a la lámpara cuando esté en funcionamiento

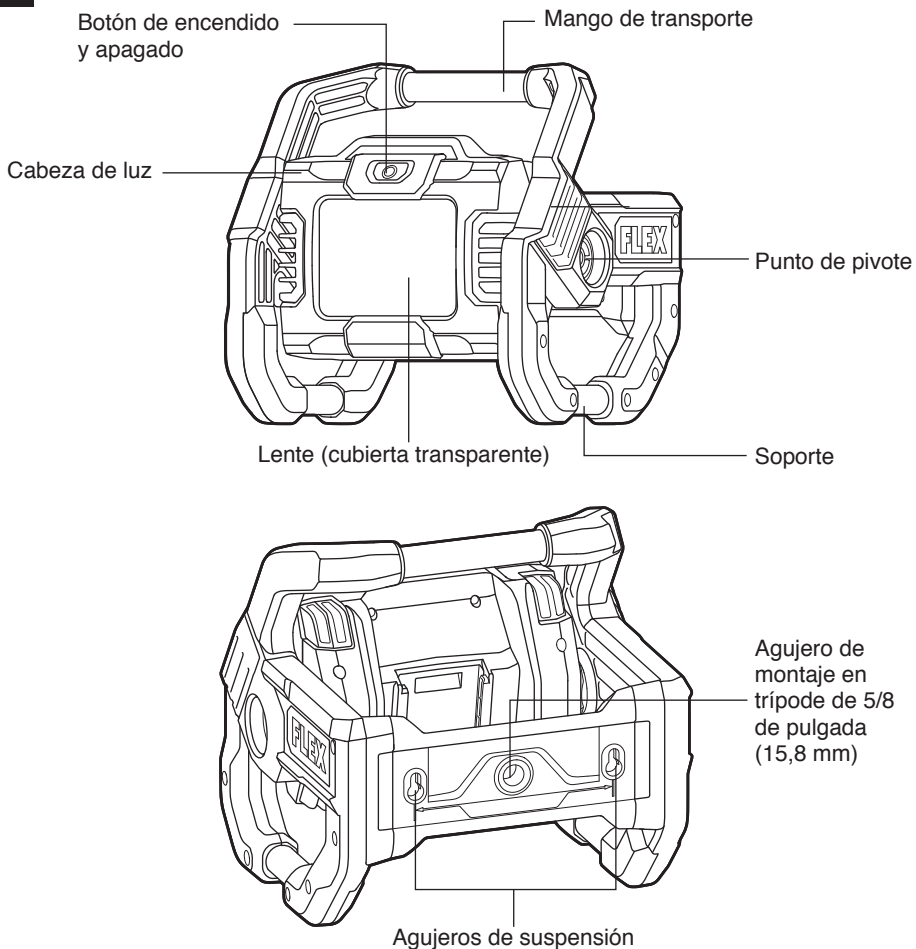
## SÍMBOLOS (INFORMACIÓN DE CERTIFICACIÓN)

Símbolo	Designación/Explicación
	Este símbolo designa que esta herramienta está incluida en la lista de Underwriters Laboratories.
	Este símbolo designa que esta herramienta es reconocida por Underwriters Laboratories.
	Este símbolo designa que esta herramienta está incluida en la lista de Underwriters Laboratories, conforme a las normas de Estados Unidos y Canadá.
	Este símbolo designa que esta herramienta está incluida en la lista de Canadian Standards Association.
	Este símbolo designa que esta herramienta está incluida en la lista de Canadian Standards Association, conforme a las normas de Estados Unidos y Canadá.
	Este símbolo designa que esta herramienta está incluida en la lista de Intertek Testing Services, conforme a las normas de Estados Unidos y Canadá.

# DESCRIPCIONES FUNCIONALES Y ESPECIFICACIONES

## Reflector para el sitio de construcción

**Fig. 1**



Núm. de modelo	FX5131
Tensión nominal	24 V c.c.
Flujo luminoso (luminosidad)	2000/1000/500 lúmenes
Intervalo de pivoteo de la cabeza	0-360°
Temperatura de funcionamiento recomendada	-4 – 104 °F (-20 – 40 °C)
Temperatura de almacenamiento recomendada	< 122 °F (< 50 °C)

# ENSAMBLAJE

## PARA INSTALAR/DESINSTALAR EL PAQUETE DE BATERÍA (FIG. 2)

### a. Para instalar el paquete de batería:

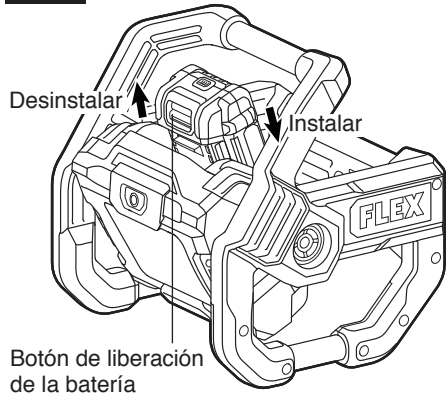
Alinee la costilla en relieve ubicada en el paquete de batería con las ranuras ubicadas en la herramienta y luego deslice el paquete de batería sobre la herramienta.

**AVISO:** Cuando coloque el paquete de batería en la herramienta, asegúrese de que la costilla en relieve ubicada en el paquete de batería se alinee con la ranura ubicada dentro de la herramienta y que los pestillos se acoplen a presión en la posición correcta. Una instalación incorrecta del paquete de batería puede causar daños a los componentes internos.

### b. Para desinstalar el paquete de batería:

Presione el botón de liberación de la batería ubicado en la parte delantera del paquete de batería para liberar dicho paquete. Jale hacia fuera el paquete de batería y retírelo de la herramienta.

Fig. 2

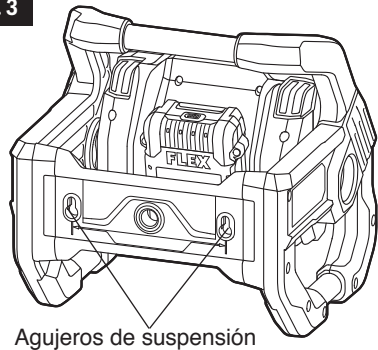


## MONTAJE DEL REFLECTOR EN LA PARED (FIG. 3)

Su herramienta está equipada con un par de agujeros de suspensión para almacenarla de manera conveniente.

- Instale dos tornillos en la pared con una separación de 5-9/32 pulgadas (134 mm). Utilice tornillos que sean lo suficientemente fuertes para sostener el peso combinado del reflector y el paquete de batería.
- Alinee los agujeros de suspensión con estos dos tornillos y cuelgue de ellos el reflector.

Fig. 3



**⚠ ADVERTENCIA** Asegúrese de que el reflector esté

**firmemente sujeto en la posición correcta.**

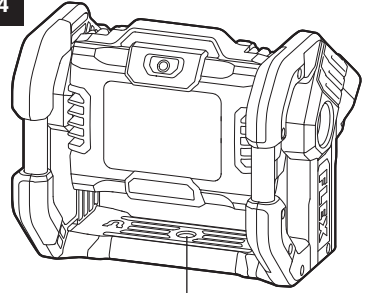
Es posible que un reflector que no esté firmemente sujeto se caiga y cause lesiones corporales y/o daños materiales.

## MONTAJE DEL REFLECTOR EN UN TRÍPODE (NO INCLUIDO)

Escoja un trípode adecuado con un tornillo de 5/8 de pulgada y enrosque el tornillo de 5/8 de pulgada en el agujero de montaje en trípode del reflector (Fig. 4).

**⚠ ADVERTENCIA** Asegúrese de que el reflector esté firmemente montado en su trípode. Es posible que un reflector que no esté firmemente sujeto se caiga y cause lesiones corporales y/o daños materiales.

Fig. 4



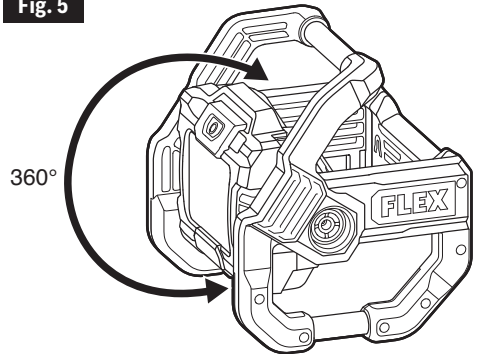
Agujero de montaje en trípode de 5/8 de pulgada (15,8 mm)

## AJUSTES

### PIVOTEO DE LA CABEZA DE LUZ (FIG. 5)

La cabeza de luz se puede pivotar desde 0° hasta 360° en incrementos de 30° para adaptarse a la aplicación que se esté realizando.

Fig. 5



# INSTRUCCIONES DE UTILIZACIÓN

**⚠ ADVERTENCIA** Para reducir el riesgo de incendio, lesiones corporales y daños al producto debido a un cortocircuito, no sumerja nunca su herramienta, el paquete de batería ni el cargador en un líquido ni deje que un líquido fluya dentro de ellos. Los líquidos corrosivos o conductores, tales como el agua de mar, ciertos productos químicos industriales y el blanqueador o los productos que contienen blanqueador, etc., pueden causar un cortocircuito.

**⚠ ADVERTENCIA** Si cualquiera de las piezas está dañada o falta, no utilice este producto hasta que las piezas hayan sido reemplazadas. La utilización de este producto con piezas dañadas

Este reflector para el sitio de construcción se debe utilizar solo con los paquetes de batería y los cargadores que se indican a continuación:

Paquete de batería				Cargador	
2.5Ah	5Ah	8Ah	12Ah		
FLEX FX0111	FLEX FX0121	FLEX FX0221	FLEX FX0231	FLEX FX0411	FLEX FX0421

**AVISO:** Sírvase consultar los manuales del paquete de batería y del cargador para obtener información detallada de utilización.

## AJUSTE DE LUMINOSIDAD DE TRES ETAPAS CONTROLADO POR EL BOTÓN DE ENCENDIDO Y APAGADO (FIG. 6)

Su reflector está equipado con un ajuste de luminosidad de tres etapas, que proporciona diferentes intensidades luminosas para la operación que vaya a realizar.

Presione brevemente el botón de encendido y apagado para ciclar a través de la luminosidad de tres etapas; cada pulsación cambia la luminosidad una etapa.

Obtenga más detalles a continuación:

- Para ENCENDER el reflector, presione el botón de ENCENDIDO y APAGADO. El reflector se encenderá con la máxima luminosidad.
- Para reducir sucesivamente la luminosidad, presione de nuevo el botón de ENCENDIDO y APAGADO y luego una tercera vez.
- Para APAGAR el reflector, presione de nuevo el botón de ENCENDIDO y APAGADO (una cuarta vez).

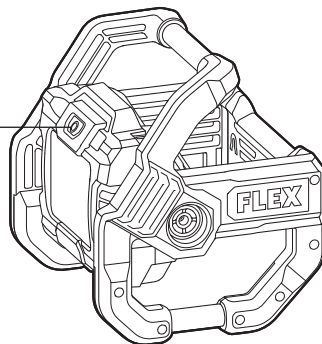
o si le faltan piezas podría causar lesiones corporales graves.

**⚠ ADVERTENCIA** No intente modificar esta herramienta ni crear accesorios no recomendados para utilizarse con esta herramienta. Cualquiera de dichas alteraciones o modificaciones constituye un uso incorrecto y podría provocar una situación peligrosa que cause posibles lesiones graves.

**⚠ ADVERTENCIA** Para prevenir arranques accidentales que podrían causar lesiones corporales graves, retire siempre el paquete de batería de la herramienta cuando ensamble piezas.

Fig. 6

Botón de encendido y apagado



# MANTENIMIENTO

**⚠ ADVERTENCIA** Para evitar lesiones corporales graves, retire siempre el paquete de batería de la herramienta cuando realice limpieza o efectúe cualquier mantenimiento.

## SERVICIO DE AJUSTES Y REPARACIONES

**⚠ ADVERTENCIA** Es posible que el mantenimiento preventivo realizado por personal no autorizado dé lugar a una colocación incorrecta de los cables y componentes internos, lo cual podría causar un peligro grave. Recomendamos que todo el servicio de ajustes y reparaciones de la herramienta sea realizado por un Centro de Servicio de Fábrica FLEX o una Estación de Servicio FLEX Autorizada.

## MANTENIMIENTO GENERAL

**⚠ ADVERTENCIA** Cuando haga reparaciones, utilice únicamente piezas de repuesto idénticas. La utilización de cualquier otra pieza podría crear un peligro o causar daños al producto. Inspeccione periódicamente todo el producto para determinar si hay piezas dañadas, si faltan piezas o si hay piezas flojas, tales como tornillos, tuercas, pernos, tapas, etc. Apriete firmemente todos los sujetadores y todas las tapas, y no utilice este producto hasta que todas las piezas que falten o estén dañadas hayan sido reemplazadas. Sírvase contactar a servicio al cliente o a un centro de servicio autorizado para obtener asistencia.

## LIMPIEZA

**⚠ ADVERTENCIA** La herramienta se puede limpiar con la máxima eficacia con aire comprimido seco. Use siempre anteojos de seguridad cuando limpie herramientas con aire comprimido. Las aberturas de ventilación y las palancas de interruptor se deben mantener limpias y libres de materia extraña. No intente limpiar la herramienta insertando objetos puntiagudos a través de las aberturas.

**⚠ ADVERTENCIA** Ciertos agentes de limpieza y solventes dañan las piezas de plástico. Algunos de estos son: gasolina, tetracloruro de carbono, solventes de limpieza clorados, amoníaco y detergentes domésticos que contienen amoníaco.

## ALMACENAMIENTO

Almacene la herramienta en un lugar interior que sea inaccesible para los niños. Manténgala alejada de los agentes corrosivos.



## GARANTÍA LIMITADA DE 5 AÑOS FLEX

Chervon North America, Inc. (el "Vendedor") garantiza, únicamente al comprador original, que todos los productos FLEX de 24 V estarán libres de defectos de material o de fabricación durante un período de cinco años a partir de la fecha de compra cuando el comprador original registre el producto dentro del plazo de 30 días después de la fecha de compra minorista original y retenga el recibo como comprobante de compra. EL PERÍODO DE GARANTÍA LIMITADA DE 5 AÑOS ESTÁ CONDICIONADO AL REGISTRO DEL PRODUCTO DENTRO DEL PLAZO DE 30 DÍAS DESPUÉS DE REALIZAR LA COMPRA Y SOLO ES APLICABLE A LAS HERRAMIENTAS, BATERÍAS Y CARGADORES FLEX DE 24 V. Si el comprador original no registra su producto dentro del plazo de 30 días, la garantía limitada que antecede tendrá aplicación durante un período de tres años. El registro del producto se puede completar en línea en [www.registermyflex.com](http://www.registermyflex.com).

**Herramientas de 24 V:** Garantía Limitada de 5 Años con registro

**Baterías y cargadores de 24 V:** Garantía Limitada de 5 Años con registro

**Productos FLEX Legacy alámbricos, de 12 V y de 20 V:** Garantía Limitada de 1 Año. No hay beneficio de registro

**Accesorios y aditamentos:** No hay garantía

LA ÚNICA OBLIGACIÓN DEL VENDEDOR Y EL REMEDIO EXCLUSIVO PARA USTED bajo esta Garantía Limitada de 5 Años y, en la medida en que la ley lo permita, cualquier garantía o condición implícita por ley, será la reparación o el reemplazo de las piezas, sin cargo alguno, que presenten defectos de material o de fabricación y que no hayan sido utilizadas incorrectamente, manejadas descuidadamente o reparadas por personas que no sean un Distribuidor de Servicio Autorizado FLEX. Esta garantía no cubre la falla de piezas debida al desgaste por el uso normal. Para presentar un reclamo bajo esta garantía, devuelva el producto completo, con el transporte prepago, a cualquier Distribuidor de Servicio Autorizado FLEX. Para localizar los Distribuidores de Servicio FLEX Autorizados, sírvase visitar [www.registermyflex.com](http://www.registermyflex.com) o llamar al 1-833-FLEX-496 (1-833-353-9496).

Esta Garantía Limitada de 5 Años no se aplica a los accesorios, los aditamentos ni las piezas.

Cualquier garantía implícita aplicable a un producto estará limitada en duración a la misma duración que las garantías expresas aplicables a dicho producto, tal y como se establece en el primer párrafo que antecede. Algunos estados de los EE.UU. y algunas provincias canadienses no permiten limitaciones en cuanto a la duración de una garantía implícita, por lo que es posible que la limitación que antecede no tenga aplicación.

FLEX no es responsable por daños directos, indirectos, incidentales o emergentes. Algunos estados de los EE.UU. y algunas provincias canadienses no permiten limitaciones en cuanto a la duración de una garantía implícita y/o no permiten la exclusión o limitación de los daños incidentales o emergentes, por lo que es posible que las limitaciones o exclusiones que anteceden no tengan aplicación. Esta garantía limitada le confiere a usted derechos legales específicos y es posible que usted tenga también otros derechos que varían según el estado en los EE.UU. y según la provincia en Canadá.

Esta garantía limitada se aplica solo a los productos vendidos dentro de los Estados Unidos de América, Canadá y la mancomunidad de Puerto Rico. Para obtener cobertura de garantía en otros países, contacte a su distribuidor local de FLEX.

© Chervon North America, 1203 E. Warrenville Rd., Naperville, IL 60563

[www.flexpowertools.com](http://www.flexpowertools.com)

[www.registermyflex.com](http://www.registermyflex.com)

1-833-FLEX-496 (1-833-353-9496)

Revisado 01/2021





