




728200 Flip-Top Stand Instructions and Parts List

IMPORTANT SAFETY INSTRUCTIONS

- Review all instructions before assembling the table. Improper assembly can cause personal injury and/or property damage.
- Do not exceed maximum load for the stand.
- Do not stand on this product.
-  **WARNING:** This product can expose you to chemicals including lead and cadmium which are known to the State of California to cause cancer and birth defects or other reproductive harm. For more information go to <http://www.p65warnings.ca.gov>.

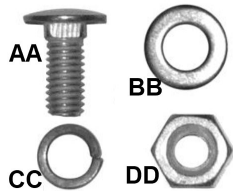


Tools required for assembly

10mm and 16mm wrenches
(a ratcheting socket wrench will speed assembly time)

Shipping contents

- 1 Table Assembly
- 4 Lower Braces (2 Long, 2 Short)
- 4 Vertical Legs
- 4 Adjustment Legs
- 4 Leveling Pads
- 1 Instructions and Parts List
- 1 Product Registration Card
- 1 Hardware Package (728200-HP)
 - 44 Carriage Bolt M6-1.0x16 – **AA**
 - 44 Flat Washer 6mm – **BB**
 - 44 Lock Washers 6mm – **CC**
 - 44 Hex Nut M6-1.0 – **DD**



Assembly instructions

Use the exploded view and parts list as guides to assembly. Make all leg and brace fasteners only finger tight until the entire unit has been assembled.

1. Turn table assembly upside down; use a mat or piece of cardboard underneath to prevent scratching.
2. Assemble the four main legs (#20) to the table brackets (#8/26). Finger tighten only.
3. Determine the height desired, then connect the adjustment legs (#21) to the main legs. These can be repositioned later if needed. (It is recommended that each adjustment leg be secured by at least 4 screws to the main leg.)
4. Determine placement of lower braces (#24/25) and assemble them to the main legs/adjustment legs.
5. Install the leveling foot pads (#22) and tighten each hex nut (#23) against the adjustment leg. (If using the optional swivel casters, install those instead of the pads.)
6. Turn the unit over and push down lightly to make sure stand rests evenly upon the floor.
7. Fully tighten all fasteners.

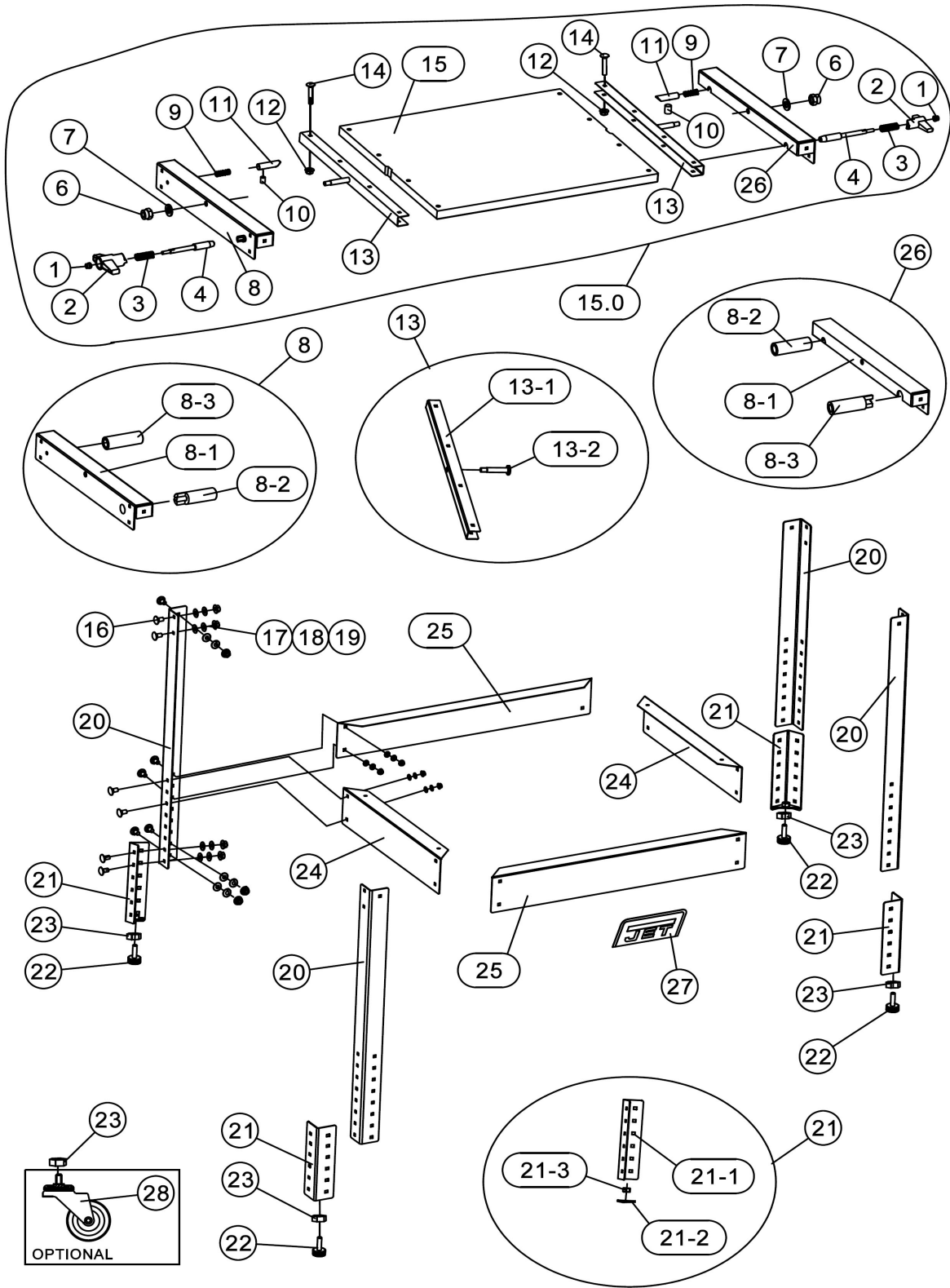
Holes are provided in the lower braces for attaching a user-made shelf, not provided.

see page 4 for operating instructions

JET
427 New Sanford Road
LaVergne, Tennessee 37086
Ph.: 800-274-6848
www.jettools.com

Part No. M-728200
Edition 1 10/2020
Copyright © 2020 JET

728200 Flip-Top Stand – Exploded View



To order parts or reach our service department, call 1-800-274-6848 Monday through Friday, 8:00 a.m. to 5:00 p.m. CST. Having the Model Number and Serial Number of your machine available when you call will allow us to serve you quickly and accurately.

728200 Flip-Top Stand – Parts List

Index No.	Part No.	Description	Size	Qty
1	TS-1541011	Nylon Lock Hex Nut	M5-0.8	2
2	728200-002	Flip-Top Table Locking Knob		2
3	728200-003	Spring		2
4	728200-004	Long Pin		2
6	TS-1541041	Nylon Lock Hex Nut	M10-1.5	2
7	TS-1550071	Flat Washer	10mm	2
8	728200-008	Flip-Top Table Bracket (L) (#8-1 thru 8-3)		1
8-1		Support Plate		2
8-2		Sleeve A		2
8-3		Sleeve B		2
9	728200-009	Spring		2
10	TS-1522021	Socket Set Screw	M5-0.8x8	2
11	728200-011	Pin		2
12	728200-012	Flanged Hex Nut	M6-1.0	8
13	728200-013	Flip-Top Table Connecting Plate (#13-1 thru 13-2)		2
13-1		U Plate		2
13-2		Shaft		2
14	728200-014	Carriage Bolt	M6-1.0x35	8
15	728200-015	Table (Plywood Top)		1
15.0	728200-015.0	Table Assembly (#1 thru 15, #26)		1
16	728100-008	Carriage Bolt	M6-1.0x16	44
17	TS-1550041	Flat Washer	6mm	44
18	TS-2361061	Lock Washer	6mm	44
19	TS-2311061	Hex Nut	M6-1.0	44
20	728100-009	Vertical Leg		4
21	728100-010	Adjustment Leg Weldment (#21-1 thru 21-3)		4
21-1		Adjustment Leg		4
21-2		Plate		4
21-3		Hex Nut	M10-1.5	4
22	728100-012	Bolt with Leveling Pad	M10-1.5	4
23	TS-2311101	Hex Nut	M10-1.5	4
24	728100-013	Lower Brace Short		2
25	728100-014	Lower Brace Long		2
26	728200-026	Flip-Top Table Bracket (R) (#8-1 thru 8-3)		1
27	728100-015	JET Logo with Adhesive	4.75"x3.3"	1
	728200-030	ID Label 728200 (not shown)		1
	728200-031	Flip-Top Stand Decal (not shown)		1
	728200-HP	Hardware Package (#16 thru 19)		1

Optional Accessory* – Swivel Caster

28	98-0129	Swivel Casters (set of 4)		1 set
----	---------	---------------------------	--	-------

* Optional Accessory – see your dealer to order.

Operation

CAUTION: If the optional casters are used, make sure they are locked in place.

To tilt table:

1. Pull out left and right handles and rotate them 90-degrees to keep them disengaged.
2. Begin tilting front edge of table *downward* until it just clears the handle pins, then turn handles 90-degrees and allow them to slide back in.
3. Continue to tilt table slowly, while helping stabilize the machine(s), until table passes the beveled pins at the rear and snaps into level position.

⚠WARNING When machines are mounted to table, tilt table slowly and help stabilize the machines throughout the tilt process. Do not allow the table to swing uncontrollably. Failure to comply may cause personal injury and/or unnecessary stress upon stand components.



(machines and user-made shelf not provided)

Machine selection

The stand will accept most bench top machines up to load capacity and within the table size range (see specifications). Secure the machine to the table with appropriate fasteners (not provided). Make sure machine(s) are securely fastened before attempting to tilt the table.

Position of machines upon the table is user's choice; however, consideration should always be given to the machines' center of balance and weight distribution. Ideally, they are centered upon the table. But the design of some machines may require them to be shifted off center for optimum position and/or easier tilting to the down position.

Specifications for JET Flip-Top Stand

Stock number	728200
Table size (D x W)	20 x 25 in. (508 x 635 mm)
Height range	29 to 34 in. (736.6 to 863.6 mm)
Height adjustment	5.10 in. (130 mm)
Load capacity	300 lb. (136 kg)
Table material	MDF/Vinyl
Assembled weight	45 lb. (20 kg)
Shipping weight	49 lb. (22 kg)

The 728200 Flip-Top Stand will accommodate most bench top machines, including the following models:

Brand	Model	Stock No.	Notes
JET	13" Planer	722130	
JET	8" Jointer/Planer	707400	
JET	8" Grinder	726101	
JET	1020 Drum Sander	723510	
JET	9" Belt/Disc Sander	708595	
JET	Spindle Sander 5"	708404	
JET	18" Scroll Saw	727300B	
JET	22" Scroll Saw	727200B	
JET	10" Miter Saw	707210	Secure miter arm before tilting underneath.
JET	12" Miter Saw	707212	Secure miter arm before tilting underneath.
JET	JET Mortiser	708580	Remove handle if needed before tilting underneath.
Powermatic	PM Mortiser	1791310	Remove handle if needed before tilting underneath.
JET	10" Band saw	714400	
JET	12" Drill Press	716000	
JET	15" Drill Press	716200	
Powermatic	PM1250 Air Filtration	1791250	