

Simplay3 Mailbox

Styles may vary

ASSEMBLY AND INSTALLATION INSTRUCTIONS

For assistance or replacement parts please contact Simplay3®

The Simplay3 Company
 9450 Rosemont Drive
 Streetsboro, OH 44241

1-866-855-0100
 www.simplay3.com

ENGLISH

OBSERVE THE FOLLOWING STATEMENTS AND WARNINGS TO REDUCE THE LIKELIHOOD OF SERIOUS OR FATAL INJURY. SAVE THIS SHEET FOR FUTURE REFERENCE.

WARNING:
 - **Choking Hazard:** Small parts. Sharp points. Adult assembly required.

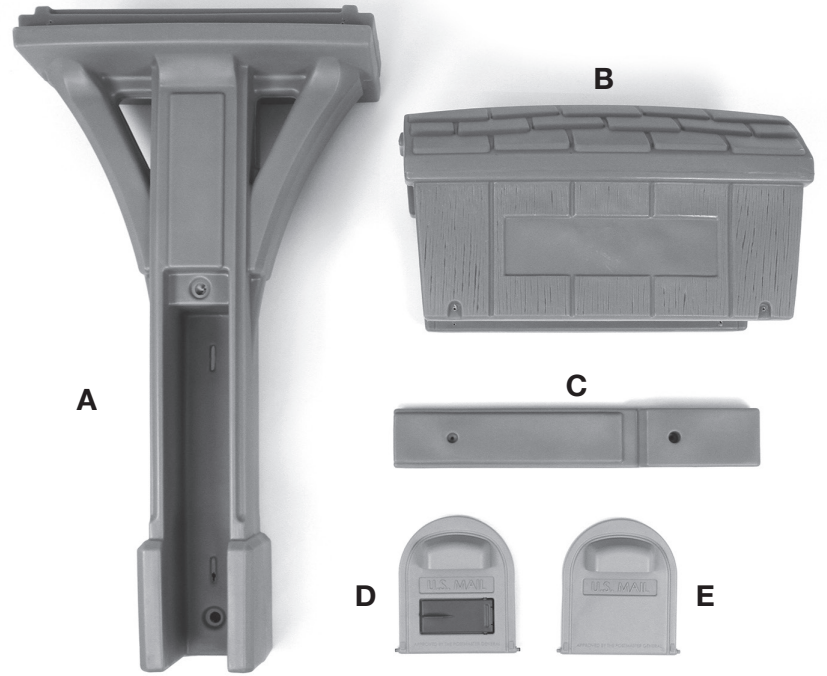
- **Required for Installation:** Standard 4"x4" post cut to 48-inch length (not included)
- **Note:** with normal soil conditions and level ground, a standard 4"x4" post cut into 48 inch length is adequate for mounting your Simplay3 Mailbox with 26 inches in ground and 22 inches above ground.
- **Decal Application:**
 Clean and dry area thoroughly. Center decal in area. Apply pressure from center to outer edge.
- **To minimize risks posed by drill shavings,** screws are designed to pierce the plastic and form their own threads. Use caution not to over-tighten screws or they will not hold parts together appropriately.
- **Cleaning Instructions:**
 General Cleaning: Use mild soapy water.
- **Disposal Instructions:**
 Please recycle when possible. Disposal must be in compliance with all government regulations.
- **USA Residents ONLY:** CUSTOMERS ARE **REQUIRED** TO CONTACT THE LOCAL POST OFFICE BEFORE INSTALLING THE MAILBOX TO ENSURE ITS CORRECT PLACEMENT AND HEIGHT AT THE STREET. GENERALLY, MAILBOXES ARE INSTALLED AT A HEIGHT OF 41-45 INCHES FROM THE ROAD SURFACE TO EITHER THE INSIDE SURFACE OF THE MAILBOX THAT THE MAIL IS PLACED ON BY THE CARRIER OR TO THE LOWEST EDGE OF MAIL ENTRY (FOR LOCKED MAIL SLOT DESIGNS) AND ARE SET BACK 6-8 INCHES FROM THE FRONT FACE OF CURB OR ROAD EDGE TO THE MAILBOX DOOR.

TOOLS REQUIRED

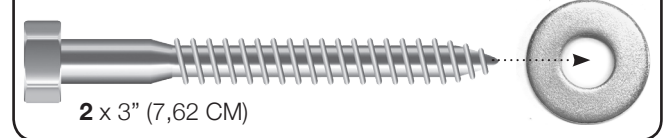
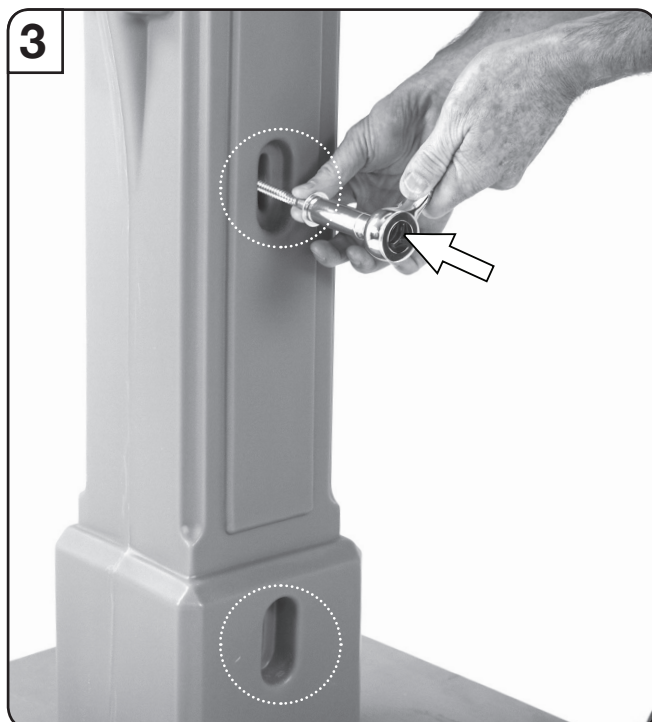
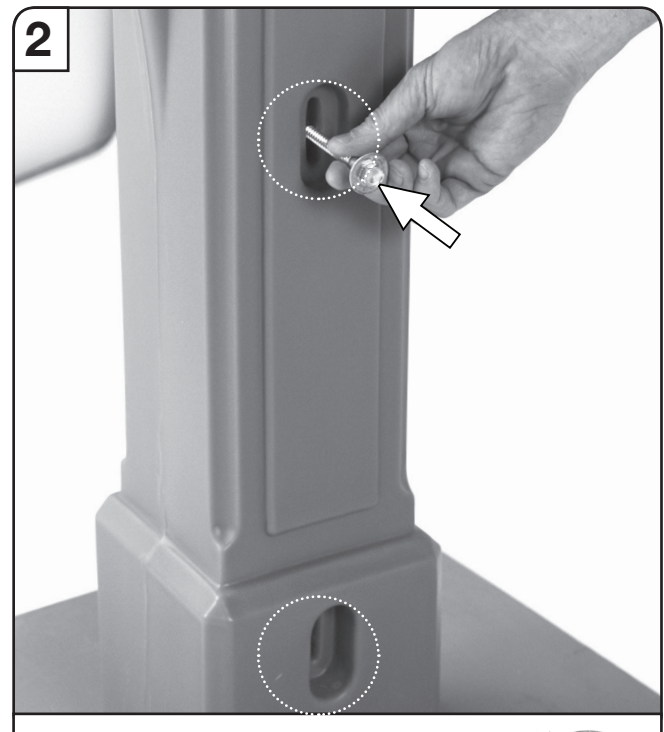
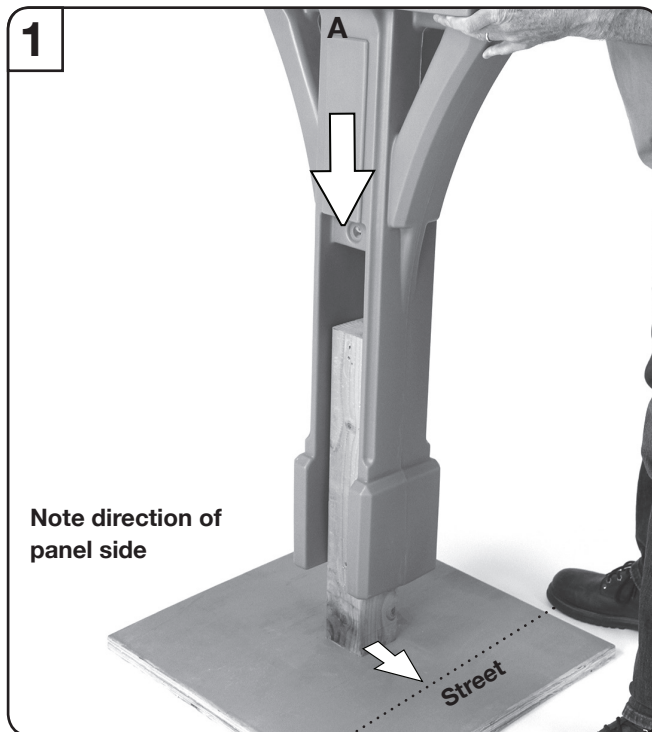
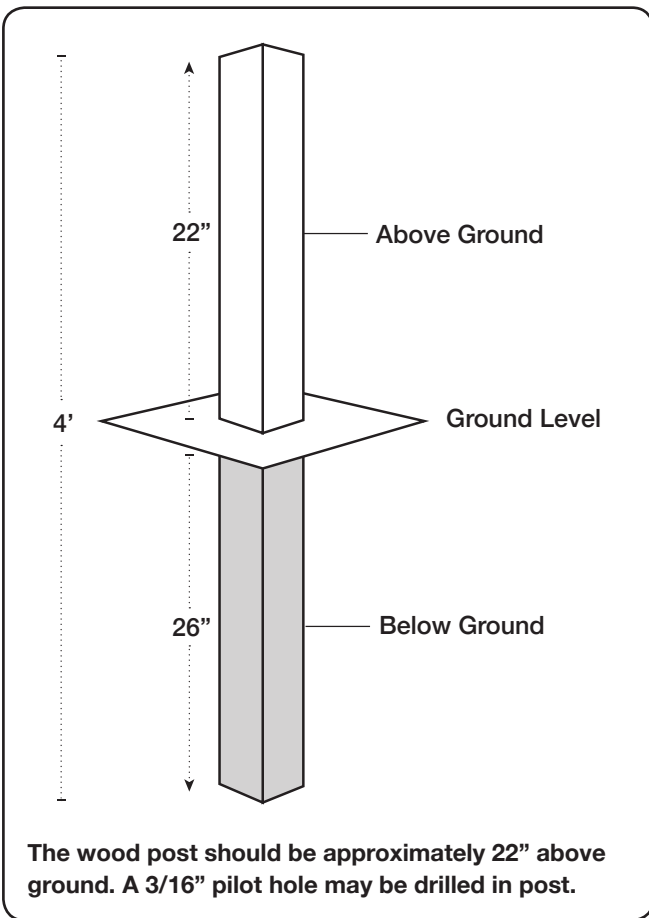
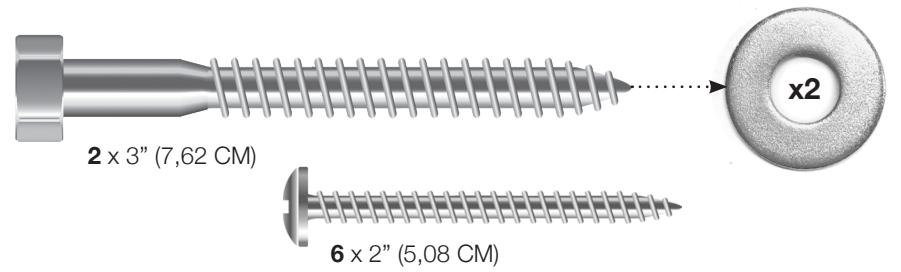


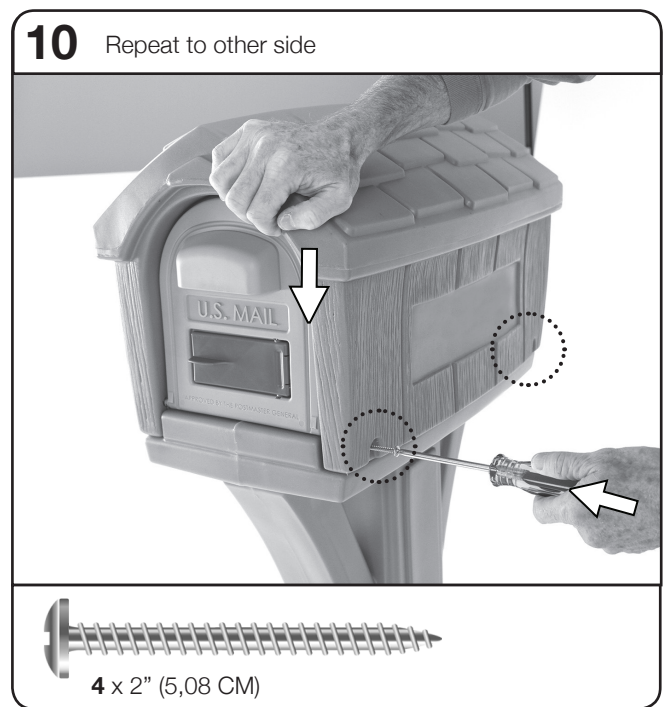
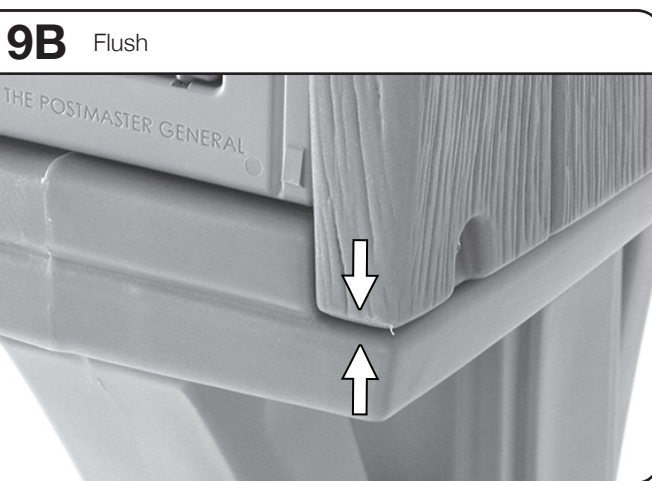
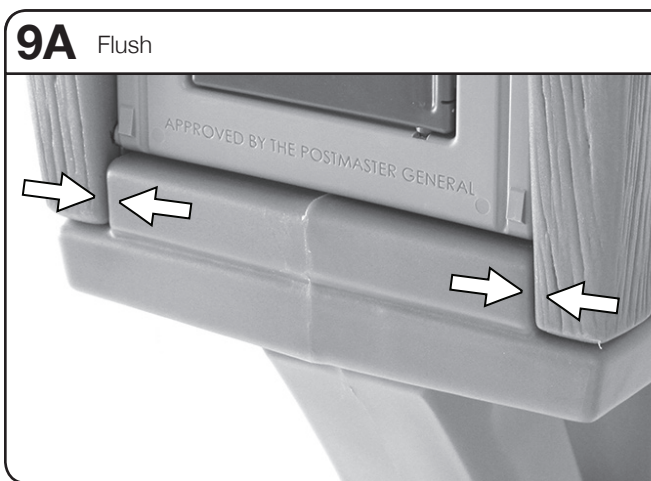
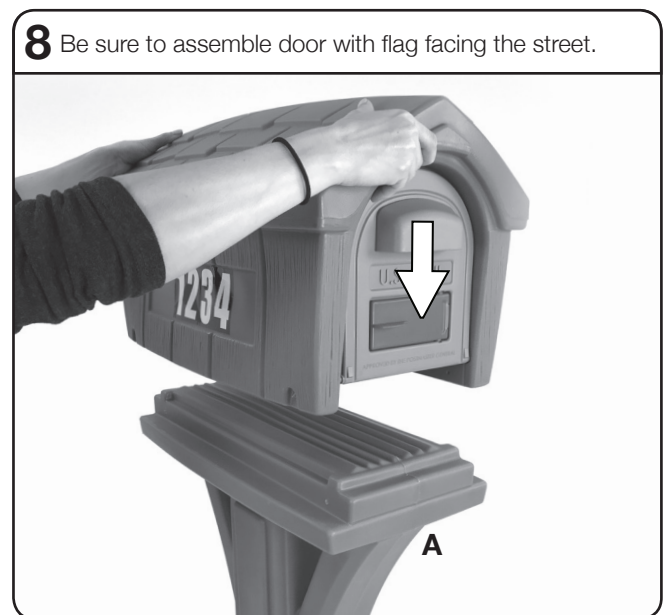
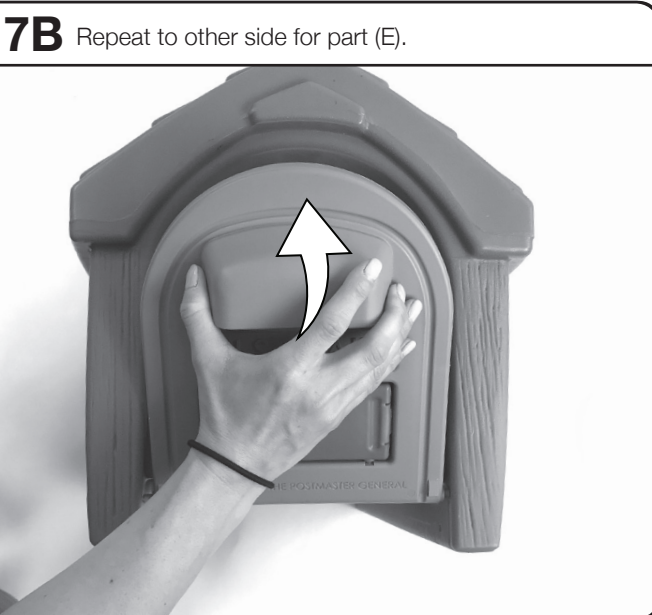
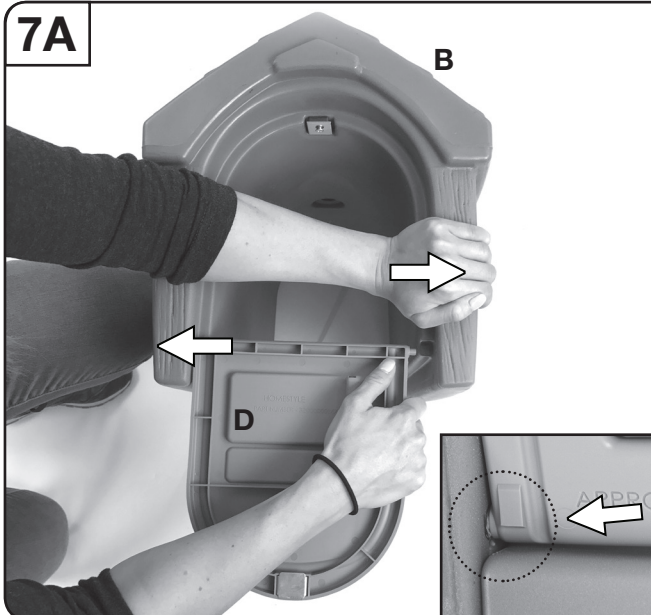
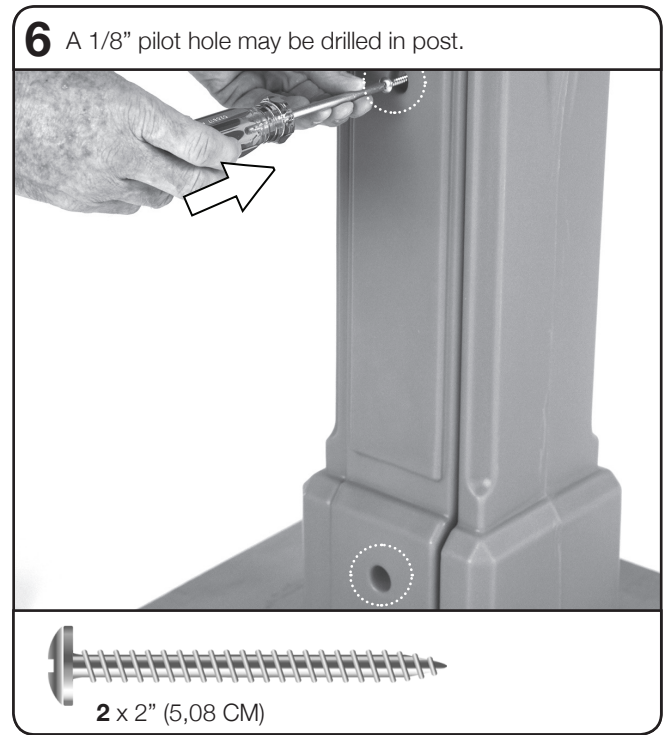
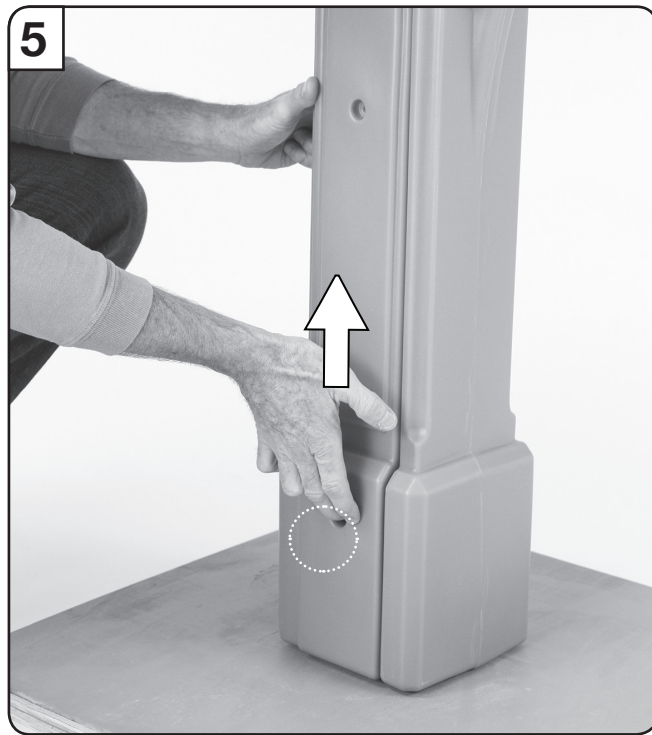
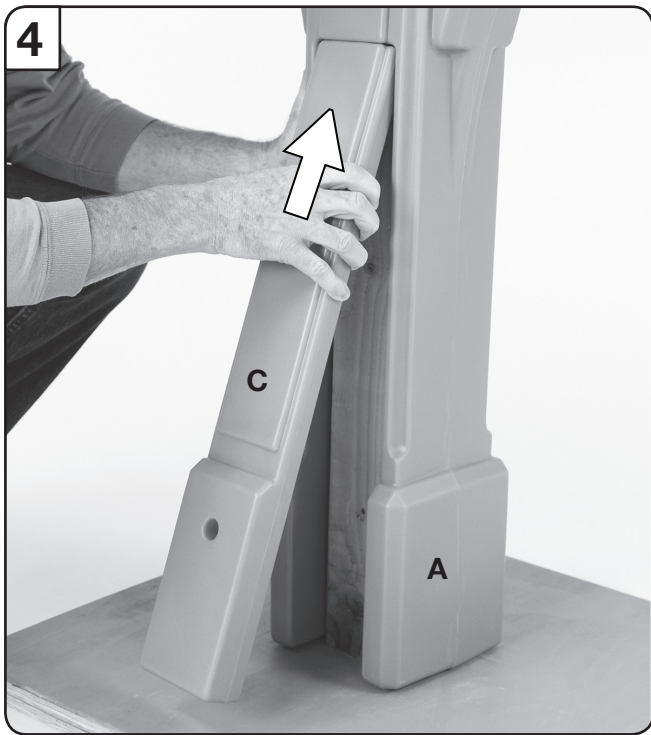
- Phillips Head
- Socket Wrench

PARTS LIST A



STYLES MAY VARY





11. Decal Application



Peel and adhere your address to the recessed area on either side of the mailbox. (It is recommended that you adhere the numbers when the plastic is at average room temperature).