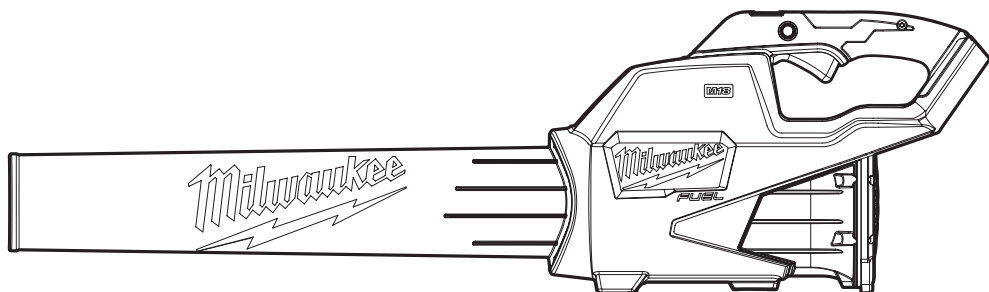




OPERATOR'S MANUAL
MANUEL de L'UTILISATEUR
MANUAL del OPERADOR



Cat. No. / No de cat.
2724-20

M18™ FUEL™ BLOWER
SOUFFLANTE FUEL™ M18™
SOPLADOR FUEL™ M18™



WARNING To reduce the risk of injury, user must read and understand operator's manual.

AVERTISSEMENT Afin de réduire le risque de blessures, l'utilisateur doit lire et bien comprendre le manuel.

ADVERTENCIA Para reducir el riesgo de lesiones, el usuario debe leer y entender el manual.

IMPORTANT SAFETY INSTRUCTIONS

⚠️WARNING Read all safety warnings, instructions, illustrations and specifications provided with this power tool. Failure to follow all instructions listed below may result in electric shock, fire and/or serious injury. Save all warnings and instructions for future reference.

READ ALL INSTRUCTIONS BEFORE USE

WORK AREA SAFETY

- Do not use in the presence of explosive dust, liquids or vapors. Power tools have motors and other parts that can produce sparks during normal use. Do not use within 30 feet of areas where explosive materials may be present (such as gasoline pumps and places where liquids like paint thinners, cleaners, solvents, etc. are stored).
- Do not use where oxygen or anesthetics are used.
- Do not allow to be used as a toy. Close attention is necessary when used by or near children. Store idle power tools out of the reach of children and do not allow persons unfamiliar with the power tool or these instructions to operate the power tool. Power tools are dangerous in the hands of untrained users.
- Use extra care when using on stairs. Do not over-reach. Keep proper footing and balance at all times. Keep work area clean and well lit. This enables better control of the tool in unexpected situations.
- Avoid dangerous environmental conditions. To reduce the risk of electric shock, do not expose to rain. Store tool indoors.
- Inspect the area before using the power tool. Remove all debris and hard objects such as rocks, glass, wire, etc. that can ricochet, be thrown, or otherwise cause injury or damage during operation.

PERSONAL SAFETY

- Stay alert, watch what you are doing and use common sense when operating a power tool. Do not use a power tool while you are tired or under the influence of drugs, alcohol or medication. A moment of inattention while operating power tools may result in serious personal injury.
- Always wear eye protection. Use of this tool can result in foreign objects being blown into eyes, which can result in eye damage.
- Wear a face or dust mask when working in dust situations. Dust particles can harm your lungs.
- Use personal protective equipment. Protective equipment such as hearing protection, protective clothing, and non-skid safety shoes used for appropriate conditions will reduce personal injuries.
- Dress properly. Do not wear loose clothing or jewelry. Keep your hair and clothing away from moving parts. Loose clothes, jewelry or long hair can be caught in moving parts.
- Do not point tool at self or bystanders. Keep bystanders 50' away during use. Objects may be thrown or ricochet in all directions.
- Do not let familiarity gained from frequent use of tools allow you to become complacent and ignore tool safety principles. A careless action can cause severe injury within a fraction of a second.

POWER TOOL USE AND CARE

- Use the power tool, accessories, etc. in accordance with these instructions, taking into account the working conditions and the work to be performed. Use of the power tool for operations different from those intended could result in a hazardous situation.
- Prevent unintentional starting. Ensure the switch is in the off-position before connecting to power source and/or battery pack, picking up or carrying the tool. Carrying power tools with your finger on the switch or energizing power tools that have the switch on invites accidents.
- Use the correct power tool for your application. The correct power tool will do the job better and safer at the rate for which it was designed.
- Use only as described in this manual. Use only manufacturer's recommended attachments.
- Do not point tool at anything that is burning or smoking such as cigarettes, matches, or hot ashes.
- To reduce the risk of health hazards from vapors or dust, do not use tool near toxic, carcinogenic or other hazardous materials such as asbestos, arsenic, barium, beryllium, lead, pesticides or other health endangering materials.
- **⚠️WARNING** Some dust created by power sanding, sawing, grinding, drilling, and other construction activities contains chemicals known to cause cancer, birth defects or other reproductive harm. Some examples of these chemicals are:
 - lead from lead-based paint
 - crystalline silica from bricks and cement and other masonry products, and
 - arsenic and chromium from chemically-treated lumber.Your risk from these exposures varies, depending on how often you do this type of work. To reduce your exposure to these chemicals: work in a well ventilated area, and work with approved safety equipment, such as those dust masks that are specially designed to filter out microscopic particles.
- Do not use power tool if the switch does not turn it on and off. Any power tool that cannot be controlled with the switch is dangerous and must be repaired.
- Avoid accidental starting. Ensure the switch is in the off-position before inserting battery pack. Inserting battery packs in tools that have the switch on invites accidents.
- Do not put hands or objects into openings. Do not use with any opening blocked; keep free of dust, lint, hair, and anything else that may reduce air flow.
- Keep handles and grasping surfaces dry, clean and free from oil and grease. Slippery handles and grasping surfaces do not allow for safe handling and control of the tool in unexpected situations.
- Maintain power tools and accessories. Check for misalignment or binding of moving parts, breakage of parts and any other condition that may affect the power tool's operation. If damaged, have the power tool repaired before use. Many accidents are caused by poorly maintained power tools.

BATTERY PACK USE AND CARE

- Remove the battery pack from the power tool before making any adjustments, changing accessories, storing, or any time the power tool is not in use. Such preventive safety measures reduce the risk of starting the power tool accidentally.
- Turn off power tool before removing battery pack.
- Do not handle battery pack, tool, or charger (including charger plug and terminals) with wet hands.

- Before using the battery pack or charger read the operator's manuals, and any labels on the battery pack, charger and tool.
- Recharge only with the charger specified by the manufacturer. A charger that is suitable for one type of battery pack may create a risk of fire when used with another battery pack.
- Use tool only with specifically designated battery packs. Use of any other battery packs may create a risk of injury and fire.
- When battery pack is not in use, keep it away from other metal objects like paper clips, coins, keys, nails, screws, or other small metal objects that can make a connection from one terminal to another. Shorting the battery terminals together may cause burns or a fire.
- Under abusive conditions, liquid may be ejected from the battery; avoid contact. If contact accidentally occurs, flush with water. If liquid contacts eyes, additionally seek medical help. Liquid ejected from the battery may cause irritation or burns. It may be toxic if swallowed.
- Do not use damaged battery pack or tool. If battery pack or appliance are not working as they should, have been dropped, damaged, left outdoors, or dropped into water, return them to a service center.
- Do not expose a battery pack or tool to fire or excessive temperature. Exposure to fire or temperature above 265°F (130°C) may cause explosion.
- Follow all charging instructions and do not charge the battery pack or tool outside the temperature range specified in the instructions. Charging improperly or at temperatures outside the specified range may damage the battery and increase the risk of fire.

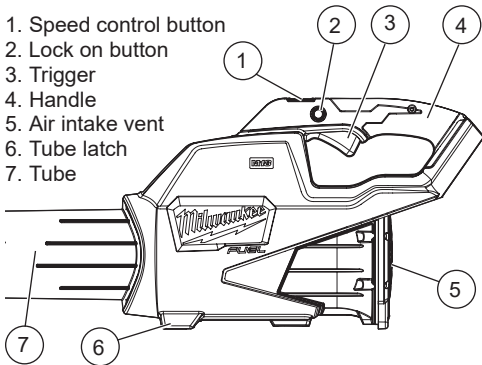
SERVICE

- Have your power tool serviced by a qualified repair person using only identical replacement parts. This will ensure that the safety of the power tool is maintained.
- Never service damaged battery packs. Service of battery packs should only be performed by the manufacturer or authorized service providers.
- Maintain labels and nameplates. These carry important information. If unreadable or missing, contact a MILWAUKEE service facility for a free replacement.

READ AND SAVE ALL INSTRUCTIONS FOR FUTURE USE

FUNCTIONAL DESCRIPTION

1. Speed control button
2. Lock on button
3. Trigger
4. Handle
5. Air intake vent
6. Tube latch
7. Tube



SPECIFICATIONS

Cat. No.	2724-20
Volts	18 DC
Battery Type	M18™
Charger Type	M18™
No Load RPM	14 400
Air speed (CFM)	0 - 450

SYMBOLGY

- Volts
- Direct Current
- n_r XXXX min⁻¹ No Load Revolutions per Minute (RPM)
- Safety Alert Symbol
- Read Operator's Manual
- Always wear eye protection, hearing protection, and protective clothing and footwear.
- Do not use in rain or wet locations. Electric shock could occur.
- Keep bystanders 50' away during use
- Do not point tool at self or bystanders. Objects may be thrown or ricochet in all directions.
- Do not put hands or objects into openings. Laceration can occur.
- Keep hair contained. It can be pulled into moving parts.
- Do not wear loose clothing or jewelry. It can be pulled into moving parts.
- UL Listing for Canada and U.S.

ASSEMBLY

WARNING Recharge only with the charger specified for the battery. For specific charging instructions, read the operator's manual supplied with your charger and battery.

Removing/Inserting the Battery

To remove the battery, push in the release buttons and pull the battery pack away from the tool.

WARNING Always remove battery pack before changing or removing accessories.

To insert the battery, slide the pack into the body of the tool. Make sure it latches securely into place.

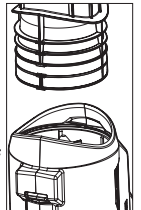
WARNING Only use accessories specifically recommended for this tool. Others may be hazardous.

Tube Assembly

WARNING To reduce the risk of injury, do not operate blower without tube securely in place. Never reach into blower through tube hole.

To install, line up the tab on the tube with the notch in the housing. Slide the tube into the housing until it snaps in place. Pull on the tube to ensure it is secure.

To remove the tube for storage, press the tube latch and pull the tube out of the housing. Always re-install the tube before use.



OPERATION

⚠WARNING To reduce the risk of injury, always wear safety goggles or glasses with side shields.

Starting, Stopping and Controlling Speed

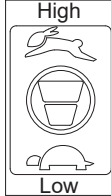
⚠WARNING Do not point tool at self or bystanders. Keep bystanders 50' away during use. Objects may be thrown or ricochet in all directions.

To start the tool, grasp the handle firmly and pull the trigger.

To vary the speed, increase or decrease the pressure on the trigger. The further the trigger is pulled, the greater the air flow, up to the maximum set by the speed control button. High speed (rabbit) is 450 CFM, and low speed (tortoise) is 295 CFM.

To lock on the tool, pull the trigger and press in the lock on button.

To stop the tool, pull the trigger and release.

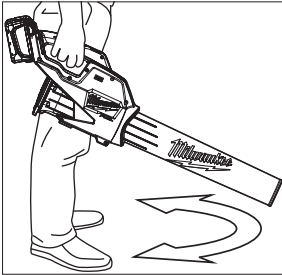


Using the Blower

⚠WARNING Inspect the area before using the unit. Remove all debris and hard objects such as rocks, glass, wire, etc. that can ricochet, be thrown, or otherwise cause injury or damage during operation.

Hold the tube 5"-6" above the ground. Slowly sweep the blower from side to side.

Move forward slowly, working the debris into a pile.



MAINTENANCE

⚠WARNING To reduce the risk of injury, always unplug the charger and remove the battery pack from the charger or tool before performing any maintenance. Never disassemble the tool, battery pack or charger. Contact a MILWAUKEE service facility for ALL repairs.

Maintaining Tool

Keep your tool, battery pack and charger in good repair by adopting a regular maintenance program. Inspect your tool for issues such as undue noise, misalignment or binding of moving parts, breakage of parts, or any other condition that may affect the tool operation. Return the tool, battery pack, and charger to a MILWAUKEE service facility for repair. After six months to one year, depending on use, return the tool, battery pack and charger to a MILWAUKEE service facility for inspection. If the tool does not start or operate at full power with a fully charged battery pack, clean the contacts on the battery pack. If the tool still does not work properly, return the tool, charger and battery pack, to a MILWAUKEE service facility for repairs.

⚠WARNING To reduce the risk of personal injury and damage, never immerse your tool, battery pack or charger in liquid or allow a liquid to flow inside them.

Cleaning

Clean dust and debris from vents. Keep handles clean, dry and free of oil or grease. Use only mild soap and a damp cloth to clean, since certain cleaning agents and solvents are harmful to plastics and other insulated parts. Some of these include gasoline, turpentine, lacquer thinner, paint thinner, chlorinated cleaning solvents, ammonia and household detergents containing ammonia. Never use flammable or combustible solvents around tools.

Repairs

For repairs, return the tool, battery pack and charger to the nearest service center.

ACCESSORIES

⚠WARNING Use only recommended accessories. Others may be hazardous.

For a complete listing of accessories, go online to www.milwaukeetool.com or contact a distributor.

SERVICE - UNITED STATES

1-800-SAWDUST (1.800.729.3878)

Monday-Friday, 7:00 AM - 6:30 PM CST

or visit www.milwaukeetool.com

Contact Corporate After Sales Service Technical Support with technical, service/repair, or warranty questions.

Email: metproductsupport@milwaukeetool.com

Become a Heavy Duty Club Member at www.milwaukeetool.com to receive important notifications regarding your tool purchases.

SERVICE - CANADA

Milwaukee Tool (Canada) Ltd

1.800.268.4015

Monday-Friday, 7:00 AM - 4:30 PM CST

or visit www.milwaukeetool.ca

LIMITED WARRANTY USA & CANADA

Every MILWAUKEE Outdoor Power Equipment Product* (see exceptions below) is warranted to the original purchaser only to be free from defects in material and workmanship. Subject to certain exceptions, MILWAUKEE will repair or replace any part on an outdoor power equipment product which, after examination, is determined by MILWAUKEE to be defective in material or workmanship for a period of three (3) years after the date of purchase unless otherwise noted. Return of the outdoor power equipment to a MILWAUKEE factory Service Center location or participating MILWAUKEE Authorized Service Station, freight prepaid and insured, is required. A copy of the proof of purchase should be included with the return product. This warranty does not apply to damage that MILWAUKEE determines to be from repairs made or attempted by anyone other than MILWAUKEE authorized personnel, misuse, alterations, abuse, normal wear and tear, lack of maintenance, or accidents.

Normal Wear: Many outdoor power equipment products need periodic parts replacement and service to achieve best performance. This warranty does not cover repair when normal use has exhausted the life of a part including, but not limited to trimmer head, trimmer head spool, cutting lines, blades, chains, blower tubes, brushes, o-rings, and seals.

*This warranty does not cover Cordless Battery Packs or Reconditioned Product. There are separate and distinct warranties available for these products.

MILWAUKEE does not cover freight or labor charges associated with the inspection and testing of outdoor power equipment products which are found by MILWAUKEE not to be a valid warranty claim. A valid warranty claim must be substantiated by the discovery of defective material or workmanship by MILWAUKEE.

ACCEPTANCE OF THE EXCLUSIVE REPAIR AND REPLACEMENT REMEDIES DESCRIBED HEREIN IS A CONDITION OF THE CONTRACT FOR THE PURCHASE OF EVERY MILWAUKEE PRODUCT. IF YOU DO NOT AGREE TO THIS CONDITION, YOU SHOULD NOT PURCHASE THE PRODUCT. IN NO EVENT SHALL MILWAUKEE BE LIABLE FOR ANY INCIDENTAL, SPECIAL, CONSEQUENTIAL OR PUNITIVE DAMAGES, OR FOR ANY COSTS, ATTORNEY FEES, EXPENSES, LOSSES OR DELAYS ALLEGED TO BE AS A CONSEQUENCE OF ANY DAMAGE TO, FAILURE OF, OR DEFECT IN ANY PRODUCT INCLUDING, BUT NOT LIMITED TO, ANY CLAIMS FOR LOSS OF PROFITS. SOME STATES DO NOT ALLOW THE EXCLUSION OR LIMITATION OF INCIDENTAL OR CONSEQUENTIAL DAMAGES, SO THE ABOVE LIMITATION OR EXCLUSION MAY NOT APPLY TO YOU. THIS WARRANTY IS EXCLUSIVE AND IN LIEU OF ALL OTHER EXPRESS WARRANTIES, WRITTEN OR ORAL. TO THE EXTENT PERMITTED

BY LAW, MILWAUKEE DISCLAIMS ANY IMPLIED WARRANTIES, INCLUDING WITHOUT LIMITATION ANY IMPLIED WARRANTY OF MERCHANTABILITY OR FITNESS FOR A PARTICULAR USE OR PURPOSE. TO THE EXTENT SUCH DISCLAIMER IS NOT PERMITTED BY LAW, SUCH IMPLIED WARRANTIES ARE LIMITED TO THE DURATION OF THE APPLICABLE EXPRESS WARRANTY AS DESCRIBED ABOVE. SOME STATES DO NOT ALLOW LIMITATIONS ON HOW LONG AN IMPLIED WARRANTY LASTS, SO THE ABOVE LIMITATION MAY NOT APPLY TO YOU. THIS WARRANTY GIVES YOU SPECIFIC LEGAL RIGHTS, AND YOU MAY ALSO HAVE OTHER RIGHTS WHICH VARY FROM STATE TO STATE. This warranty applies to product sold in the U.S.A. and Canada only. Please consult the "Service Center Search" in the Parts & Service section of MILWAUKEE's website www.milwaukeeetool.com or call 1.800.SAWDUST (1.800.729.3878) to locate your nearest service facility for warranty and non-warranty service on a Milwaukee electric power tool.

LIMITED WARRANTY - MEXICO, CENTRAL AMERICA & CARIBBEAN

TECHTRONIC INDUSTRIES' warranty is for 3 years since the original purchase date. This warranty card covers any defect in material and workmanship on this Product. To make this warranty valid, present this warranty card, sealed/stamped by the distributor or store where you purchased the product, to the Authorized Service Center (ASC). Or, if this card has not been sealed/stamped, present the original proof of purchase to the ASC. Call toll-free 01 (800) 030-7777 to find the nearest ASC, for service, parts, accessories or components.

Procedure to make this warranty valid

Take the product to the ASC, along with the warranty card sealed/stamped by the distributor or store where you purchased the product, and any faulty piece or component will be replaced without cost for you. We will cover all freight costs relative with this warranty process.

Exceptions

This warranty is not valid in the following situations

- When the product is used in a different manner from the end-user guide or instruction manual.
- When the conditions of use are not normal.
- When the product was modified or repaired by people not authorized by TECHTRONIC INDUSTRIES.

Note: If cord set is damaged, it should be replaced by an Authorized Service Center to avoid electric risks.

SERVICE AND ATTENTION CENTER

Call to 55 4160-3547

IMPORTED AND COMMERCIALIZED BY

TECHTRONIC INDUSTRIES MEXICO, S.A. DE C.V.

Miguel de Cervantes Saavedra No.301 Piso 5, Torre Norte

11520 Colonia Ampliación Granada

Miguel Hidalgo, Ciudad de Mexico, Mexico

Model: _____

Date of Purchase: _____

Distributor or Store Stamp: _____

INSTRUCTIONS IMPORTANTES CONCERNANT LA SÉCURITÉ

⚠️ AVERTISSEMENT Consulter tous les avertissements de sécurité et toutes les instructions, les illustrations et les précisions fournis avec cet outil électrique. Ne pas suivre l'ensemble des instructions décrites ci-dessous peut entraîner une électrocution, un incendie et/ou des blessures graves. Conserver les avertissements et les instructions à des fins de référence ultérieure.

LIRE TOUTES LES INSTRUCTIONS AVANT L'UTILISATION

SÉCURITÉ DU LIEU DE TRAVAIL

• Ne pas utiliser en présence de liquides explosifs ou de poussière ou vapeurs explosives. Les outils électriques ont des moteurs et d'autres pièces qui

peuvent produire des étincelles pendant l'utilisation normale. Ne pas utiliser à moins de 9 m (30') des zones où des matières explosives peuvent exister (tel que les pompes à essence et les zones de stockage des liquides comme les diluants pour peinture, les nettoyeurs, les solvants, etc.).

• Ne pas utiliser où l'oxygène ou les agents anesthésiques sont utilisés.

• Cet appareil n'est pas un jouet. Une surveillance étroite est nécessaire lorsqu'il est utilisé par des enfants ou à leur proximité. Entreposer l'outil électrique hors de la portée des enfants et interdire à quiconque de l'utiliser si la personne ne connaît pas bien le produit ou les instructions de fonctionnement. Les outils électriques sont dangereux dans les mains d'utilisateurs novices.

• Redoubler de prudence lors de l'utilisation dans des escaliers. Ne pas travailler hors de portée. Toujours se tenir bien campé et en équilibre. Veiller à ce que l'aire de travail soit propre et bien éclairée. Une bonne stabilité procure un meilleur contrôle de l'outil en cas d'imprévu.

• Éviter les environnements dangereux. Pour réduire le risque de choc électrique, ne pas exposer à la pluie. Entreposer l'outil à l'intérieur.

• Inspecter la zone de travail avant d'utiliser l'outil électrique. Éliminer tous les débris et les objets solides tels que pierres, verre, fils, etc. qui peuvent être ricochés ou projetés et peuvent causer des blessures ou des dommages pendant le fonctionnement.

SÉCURITÉ INDIVIDUELLE

• Rester attentif, prêter attention au travail et faire preuve de bon sens lors de l'utilisation de tout outil électrique. Ne pas utiliser cet outil en cas de fatigue ou sous l'influence de l'alcool, de drogues ou de médicaments. Un moment d'inattention pendant l'utilisation d'un outil électrique peut entraîner des blessures graves.

• Toujours porter une protection oculaire. L'utilisation de cet outil peut causer la projection d'objets en direction du visage et entraîner des lésions oculaires.

• Porter un masque facial ou anti-poussières en travaillant dans des zones poussiéreuses. Les particules de poussière peuvent endommager vos poumons.

• Porter l'équipement de protection individuel requis. Selon les conditions, porter une protection auditive, des vêtements de protection, des bottes de sécurité antidérapantes, réduira les blessures corporelles.

• Porter une tenue appropriée. Ne pas porter de vêtements amples ni de bijoux. Garder les cheveux et les vêtements à l'écart des pièces en mouvement. Les vêtements flottants, les bijoux ou les cheveux longs risquent d'être happés par les pièces en mouvement.

• Ne pas diriger l'outil vers soi ou une autre personne. Pendant l'utilisation, garder les bords à une distance minimale de 15 m (50'). Des objets peuvent être projetés ou ricocher dans toutes les directions.

• La familiarité acquise de l'utilisation fréquente des outils ne doit pas vous permettre d'ignorer les principes de sécurité de l'outil. Une fraction de seconde d'inattention peut entraîner des blessures graves.

UTILISATION ET ENTRETIEN DE L'OUTIL ÉLECTRIQUE

• Utiliser l'outil électrique, les accessoires, etc. conformément à ces instructions en tenant compte des conditions de travail et de la tâche à effectuer. L'usage d'un outil électrique pour des applications pour lesquelles il n'est pas conçu peut être dangereux.

• Empêcher les démarrages accidentels. S'assurer que la gâchette est en position d'arrêt avant de brancher

l'outil à une source de courant, d'insérer le bloc-piles, de ramasser l'outil ou de le transporter. Le fait de transporter un outil électrique en gardant le doigt sur la gâchette ou de mettre sous tension un outil électrique lorsque la gâchette est en position de marche favorise les accidents.

- **Utiliser l'outil électrique approprié pour votre application.** L'outil électrique approprié exécutera le travail mieux et de façon moins dangereuse s'il est utilisé dans les limites prévues.
- **Utiliser exclusivement selon les instructions de ce manuel.** Utiliser exclusivement les accessoires recommandés par le fabricant.
- **Ne pas diriger l'outil vers des éléments qui brûlent ou qui fument** comme des cigarettes, des allumettes ou des cendres chaudes.
- **Pour réduire les risques sur la santé attribuables aux vapeurs ou aux poussières, ne pas utiliser l'outil près de matières toxiques, carcinogènes ou toute autre matière dangereuse** telle que l'asbeste, l'arsenic, le baryum, le béryllium, le plomb, les pesticides ou les autres matières insalubres.

⚠ AVERTISSEMENT Certaines poussières générées par les activités de ponçage, de coupe, de rectification, de perforage et d'autres activités de construction contiennent des substances considérées être la cause de malformations congénitales et de troubles de l'appareil reproducteur. Parmi ces substances figurent: le plomb contenu dans les peintures à base de plomb; la silice cristalline des briques, du ciment et d'autres matériaux de maçonnerie, ainsi que l'arsenic et le chrome des sciages traités chimiquement. Les risques encourus par l'opérateur envers ces expositions varient en fonction de la fréquence de ce type de travail. Pour réduire l'exposition à ces substances chimiques, l'opérateur doit: travailler dans une zone bien ventilée et porter l'équipement de sécurité approprié, tel qu'un masque anti-poussière spécialement conçu pour filtrer les particules microscopiques.

- **Ne pas utiliser l'outil électrique si le commutateur ne permet pas de le mettre en marche ou en arrêter.** Tout outil électrique qui ne peut pas être contrôlé par son commutateur est dangereux et doit être réparé.
- **Éviter les démarrages accidentels. S'assurer que l'interrupteur est en position d'arrêt avant d'insérer le bloc-piles.** L'insertion du bloc-piles dans l'outil avec l'interrupteur est en position de marche augmente le risque d'accidents.
- **Ne pas placer les mains ou des objets dans les ouvertures.** Ne pas utiliser le produit si l'une ou l'autre des ouvertures est obstruée. Enlever toute la poussière, toutes les peluches et tous les cheveux, ou tout autre élément pouvant réduire la circulation de l'air.
- **Garder les poignées et les surfaces de prise sèches, propres et exemptes d'huile ou de graisse.** Les surfaces de prise et les poignées glissantes ne permettent pas de maintenir et de contrôler l'outil d'une manière sécuritaire en cas d'imprévus.
- **Entretien les outils électriques et les accessoires.** Vérifier qu'aucune pièce mobile n'est mal alignée ou bloquée, qu'aucune pièce n'est brisée et s'assurer qu'aucun autre problème risque d'affecter le bon fonctionnement de l'outil. En cas de dommages, faire réparer l'outil électrique avant de l'utiliser. Beaucoup d'accidents sont causés par des outils électriques mal entretenus.

- **Arrêter l'outil électrique avant de retirer le bloc-piles.**
- **Ne pas manipuler le chargeur, le bloc-piles ou l'outil (y compris la fiche du chargeur et les bornes) avec les mains mouillées.**
- **Avant d'utiliser le bloc-piles ou le chargeur, lire les manuels d'utilisation et toutes les étiquettes sur le bloc-piles, le chargeur et l'outil.**
- **Ne recharger qu'avec le chargeur spécifié par le fabricant.** Un chargeur pouvant convenir à un type de bloc-piles peut entraîner un risque d'incendie lorsqu'il est utilisé avec un autre type de bloc-piles.
- **N'utiliser l'outil qu'avec des blocs-piles recommandés.** L'utilisation de tout autre bloc-piles peut créer un risque de blessures et d'incendie.
- **Lorsque le bloc-piles n'est pas utilisé, le tenir éloigné des objets en métal tels que les trombones, les pièces de monnaie, les clés, les clous, les vis ou d'autres petits objets métalliques qui pourraient connecter les bornes.** Le court-circuitage des bornes d'une pile peut entraîner des brûlures ou un incendie.
- **Éviter tout contact avec le liquide pouvant être éjecté de la pile en cas d'emploi abusif. En cas de contact accidentel, rincer immédiatement les parties atteintes avec de l'eau. Si le liquide entre en contact avec les yeux, consulter un médecin.** Le liquide éjecté des piles peut causer des irritations ou des brûlures. Il peut être toxique en cas d'ingestion.
- **Ne pas utiliser un bloc-piles ou un outil endommagé.** Si le bloc-piles ou l'outil ne fonctionne pas correctement, s'ils ont été tombés par terre, s'ils sont endommagés, s'ils ont été laissés à l'extérieur ou s'ils sont tombés dans l'eau, les retourner au centre de service.
- **Ne pas exposer un bloc-piles ou un outil au feu ou à une température excessive.** L'exposition au feu ou à une température supérieure à 130 °C (265 °F) peut provoquer une explosion.
- **Suivre toutes les instructions de recharge et ne pas recharger le bloc-piles ou l'outil en dehors de la plage de températures spécifiée dans les instructions.** Une recharge incorrecte ou à des températures en dehors de la plage spécifiée peut endommager la pile et augmenter le risque d'incendie.

ENTRETIEN

- **Les réparations de l'outil électrique doivent être confiées à un technicien qualifié, utilisant exclusivement des pièces identiques à celles d'origine.** Le maintien de la sûreté de l'outil électrique sera ainsi assuré.
- **Ne jamais effectuer la réparation d'un bloc-piles endommagé.** La réparation du bloc-piles doit être réalisée par le fabricant ou les fournisseurs de service agréés uniquement.
- **Maintenir en l'état les étiquettes et les plaques d'identification.** Des informations importantes y figurent. Si elles sont illisibles ou manquantes, contacter un centre de services et d'entretien MILWAUKEE pour un remplacement gratuit.

LIRE ET CONSERVER TOUTES LES INSTRUCTIONS POUR UTILISATION FUTURE

SPECIFICATIONS

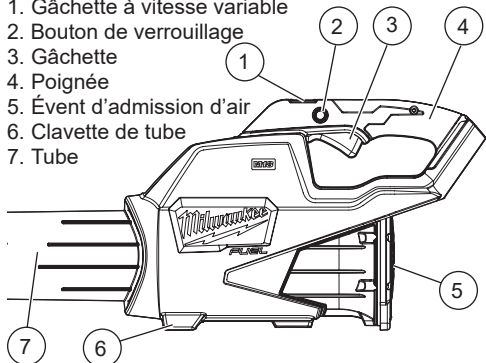
No de Cat.....	2724-20
Volts.....	18 CD
Type de batterie	M18™
Type de chargeur	M18™
RPM.....	14 400
Vitesse du souffle (CFM)	0 - 450

UTILISATION ET ENTRETIEN DU BLOC-PILES

- **Retirer le bloc-piles de l'outil électrique avant tout réglage, changement d'accessoires, entreposage ou lorsque l'outil n'est pas utilisé.** Ces mesures de sécurité préventives réduisent les risques de démarrage accidentel de l'outil électrique.

DESCRIPTION FONCTIONNELLE

1. Gâchette à vitesse variable
2. Bouton de verrouillage
3. Gâchette
4. Poignée
5. Évent d'admission d'air
6. Clavette de tube
7. Tube



PICTOGRAPHIE

V Volts

— — — Courant direct

n, XXXX min⁻¹ Tours-minute à vide (RPM)



Symbole d'alerte de sécurité



Lire le manuel d'utilisation



Toujours porter une protection oculaire, une protection auditive et des vêtements et des chaussures de protection.



Ne pas utiliser par temps de pluie ni dans des endroits humides. Un choc électrique peut se produire.



Pendant l'utilisation, garder les autres personnes à une distance minimale de 15 m (50').



Ne pas diriger l'outil vers soi ou une autre personne. Des objets peuvent être projetés ou ricocher dans toutes les directions.



Ne pas placer les mains ou des objets dans les ouvertures. Une laceration peut se produire.



Garder les cheveux à l'écart. Ils peuvent être pris dans les parties en mouvement.



Ne pas porter de vêtements amples ni de bijoux. Ils peuvent être pris dans les parties en mouvement.



UL Listing Mark pour Canada et États-unis

MONTAGE DE L'OUTIL

AVERTISSEMENT Ne recharger la batterie qu'avec le chargeur spécifié. Pour les instructions de charge spécifiques, lire le manuel d'utilisation fourni avec le chargeur et les batteries.

Insertion/Retrait de la batterie

Pour retirer la batterie, enfoncer les boutons de déverrouillage et la tirer hors de l'outil.

AVERTISSEMENT Il faut toujours retirer la batterie et verrouiller la détente de l'outil avant de changer ou d'enlever les accessoires.

Pour insérer la batterie, la glisser dans le corps de l'outil. S'assurer qu'elle est fixée solidement.

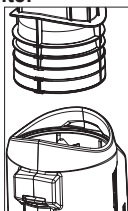
AVERTISSEMENT L'emploi d'accessoires autres que ceux qui sont expressément recommandés pour cet outil peut comporter des risques.

Ensemble de tubes

AVERTISSEMENT Pour réduire les risques de blessures, faire fonctionner la soufflante uniquement avec les tubes bien installés en place. Ne jamais passer la main à travers les ouvertures des tubes de la soufflante.

Pour installer le tube, aligner la languette sur le tube avec l'encoche dans le logement. Glisser le tube dans le logement jusqu'à ce que sa clavette s'enclenche en place. Tirer le tube pour s'assurer qu'il est bien fixé.

Pour retirer le tube afin d'entreposer l'outil, appuyer sur la clavette et tirer le tube loin du logement. Toujours réinstaller le tube avant d'utiliser l'outil.



MANIEMENT

AVERTISSEMENT Pour minimiser les risques de blessures, portez des lunettes à coques latérales.

Démarrage, arrêt et contrôle de la vitesse

AVERTISSEMENT Ne pas diriger l'outil vers soi ou une autre personne. Pendant l'utilisation, garder les autres personnes à une distance minimale de 15 m (50'). Des objets peuvent être projetés ou ricocher dans toutes les directions. Pour démarrer l'outil, tenir fermement la poignée et appuyer sur la gâchette.

Pour varier la vitesse, augmenter ou diminuer la pression sur la gâchette. Plus la gâchette est tirée, plus le débit d'air est élevé, jusqu'au maximum fixé par l'interrupteur de contrôle de vitesse. La vitesse élevée (lapin) est 450 cfm, et la vitesse basse (tortue) est 295 cfm. Pour verrouiller l'outil, tirez sur la gâchette et appuyez sur le bouton de verrouillage.

Pour arrêter l'outil, tirez sur la gâchette et relâchez-le.

faibles



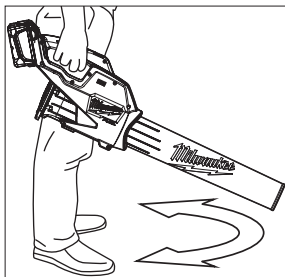
élevées

Utilisation de la soufflante

AVERTISSEMENT Inspecter la zone de travail avant d'utiliser l'outil. Éliminer tous les débris et les objets solides tels que pierres, verre, fils, etc. qui peuvent être ricochés ou projetés et peuvent causer des blessures ou des dommages pendant le fonctionnement.

Tenir le tube à une distance de 127 mm - 152 mm (5"-6") en dessous du sol. Balayer lentement la soufflante d'un côté à l'autre.

En avançant lentement, l'outil empilera les débris.



ENTRETIEN

AVERTISSEMENT Pour minimiser les risques de blessures corporelles, débranchez le chargeur et retirez la batterie du chargeur ou de l'outil avant d'y effectuer des travaux d'entretien. Ne démontez jamais l'outil, la batterie ou le chargeur. Pour toute réparation, consultez un centre de service MILWAUKEE accrédité.

Entretien de l'outil

Gardez l'outil en bon état en adoptant un programme d'entretien ponctuel. Inspectez votre outil pour des questions telles que le bruit excessif, de grippage des pièces mobiles, de pièces cassées ou toute autre condition qui peut affecter le fonctionnement de l'outil. Retournez votre outil à un centre de service MILWAUKEE accrédité pour obtenir le service. Après une période pouvant aller de 6 mois à un an, selon l'usage, retournez votre outil à un centre de service MILWAUKEE accrédité pour d'inspection. Si l'outil ne démarre pas ou ne fonctionne pas à pleine puissance alors qu'il est branché sur une batterie complètement chargée, nettoyez les points de contact entre la batterie et l'outil. Si l'outil ne fonctionne toujours pas correctement, renvoyez l'outil, le chargeur et la batterie à un centre de service MILWAUKEE accrédité.

AVERTISSEMENT Pour minimiser les risques de blessures ou de dommages à l'outil, n'immergez jamais l'outil, la batterie ou le chargeur et ne laissez pas de liquide s'y infiltrer.

Nettoyage

Débarassez les événements de débris et de la poussière. Gardez les poignées propres, à sec et exempts d'huile ou de graisse. Le nettoyage doit se faire avec un linge humide et un savon doux. Certains nettoyants tels l'essence, la térebenthine, les diluants à laque ou à peinture, les solvants chlorés, l'ammoniaque et les détergents d'usage domestique qui en contiennent pourraient détériorer le plastique et l'isolation des pièces. Ne laissez jamais de solvants inflammables ou combustibles auprès des outils.

Réparations

Pour les réparations, retournez outil, batterie et chargeur en entier au centre-service le plus près.

ACCESOIRES

AVERTISSEMENT L'utilisation d'autres accessoires que ceux qui sont spécifiquement recommandés pour cet outil peut comporter des risques. Pour une liste complète des accessoires, visiter le site internet www.milwaukeeool.com ou contactez un distributeur.

SERVICE - CANADA

Milwaukee Tool (Canada) Ltd

1.800.268.4015

Monday-Friday, 7:00 AM - 4:30 PM CST

www.milwaukeeool.ca

GARANTIE LIMITÉE - AUX ÉTATS-UNIS ET AU CANADA

Chaque équipement électrique d'extérieur* de MILWAUKEE (voir exceptions ci-dessous) est garanti à l'acheteur d'origine uniquement pour être exempt de vices de matériaux et de fabrication. Sous réserve de certaines exceptions, MILWAUKEE réparera ou remplacera toute pièce d'un équipement électrique d'extérieur qui, après examen par MILWAUKEE, s'est avéré être affecté d'un vice de matériel ou de fabrication et ce pendant une période de trois (3) ans à compter de la date d'achat, sauf indication contraire. Retourner l'équipement électrique d'extérieur, à un centre de réparations en usine MILWAUKEE ou à un poste d'entretien agréé

MILWAUKEE, en port prépayé et assuré. Une copie de la preuve d'achat doit être présentée avec le produit retourné. Cette garantie ne couvre pas des dommages que MILWAUKEE détermine être causés par des réparations ou des tentatives de réparation par quiconque autre que le personnel agréé par MILWAUKEE, ou par des utilisations incorrectes, des altérations, des utilisations abusives, une usure normale, une carence d'entretien ou des accidents. Usure normale : Plusieurs équipements électriques d'extérieur requièrent un remplacement et un entretien périodique de leurs pièces pour un meilleur rendement. Cette garantie ne couvre pas la réparation des pièces dues à l'utilisation normale de l'outil, y compris, mais sans s'y limiter, la tête de coupe, la bobine, les fils de coupe, les lames, les fils, les chaînes, les tubes de soufflage, les joints toriques, et les joints. * Cette garantie ne s'applique pas aux blocs-piles sans fil ou au produit réusiné. L'existence des garanties séparées distinctes pour ces produits.

MILWAUKEE n'assume aucun frais de transport ou de main d'œuvre liés à l'inspection et à la vérification des équipements électriques d'extérieur qui, de l'avis de MILWAUKEE, ne donnent pas droit à une réclamation au titre de la garantie. Pour être admissible, une réclamation au titre de la garantie doit être justifiée par un vice du matériel ou de fabrication découvert par MILWAUKEE.

L'ACCEPTATION DES RECOURS EXCLUSIFS DE RÉPARATION ET DE REMPLACEMENT DÉCRITS DANS LES PRÉSENTES EST UNE CONDITION DU CONTRAT D'ACHAT DE TOUT PRODUIT MILWAUKEE. SI VOUS N'ACCEPTÉZ PAS CETTE CONDITION, VOUS NE DEVEZ PAS ACHETER LE PRODUIT. EN AUCUN CAS, MILWAUKEE NE SAURAIT ÊTRE RESPONSABLE DE TOUT DOMMAGE ACCESSOIRE, SPÉCIAL OU INDIRECT, DE DOMMAGES-INTERÊTS PUNITIFS OU DE TOUT DÉPENSE, D'HONORAIRES D'AVOCATS, DE FRAIS, DE PERTE OU DE DÉLAIS ACCESSOIRES À TOUT DOMMAGE, DÉFAILLANCE OU DÉFAUT DE TOUT PRODUIT, Y COMPRIS NOTAMMENT LES PERTES DE PROFIT. CERTAINS ÉTATS ET PROVINCES NE PERMETTANT L'EXCLUSION OU LA LIMITATION DES DOMMAGES DIRECTS OU INDIRECTS, LES RESTRICTIONS CI-DESSUS PEUVENT NE PAS ÊTRE APPLICABLES. CETTE GARANTIE EST EXCLUSIVE ET REMPLACE TOUTE AUTRE GARANTIE EXPRESSE, QU'ELLE SOIT VERBALE OU ÉCRITE. DANS LA MESURE PERMISE PAR LA LOI, MILWAUKEE RENONCE À TOUTE GARANTIE IMPLICITE, Y COMPRIS, MAIS SANS S'Y LIMITER, TOUTE GARANTIE IMPLICITE DE QUALITÉ MARCHANDE OU D'ADAPTATION À UNE UTILISATION OU À UNE FIN PARTICULIÈRE. DANS LA MESURE OU UNE TELLE STIPULATION D'EXONÉRATION N'EST PAS PERMISE PAR LA LOI, LA DURÉE DE CES GARANTIES IMPLICITES EST LIMITÉE À LA PÉRIODE APPLICABLE DE LA GARANTIE EXPRESSE. TEL QUE CELA EST DÉCRIT PRÉCÉDEMMENT. CERTAINS ÉTATS ET PROVINCES NE PERMETTANT PAS DE LIMITATION DE DURÉE DES GARANTIES IMPLICITES, LES RESTRICTIONS CI-DESSUS PEUVENT DONC NE PAS VOUS ÊTRE APPLICABLES. LA PRÉSENTE VOUS CONFÈRE DES DROITS LÉGAUX PARTICULIERS; VOUS BÉNÉFICIEZ ÉGALEMENT D'AUTRES DROITS QUI VARIENT D'UN ÉTAT À UN AUTRE.

Cette garantie s'applique aux produits vendus aux États-Unis et au Canada uniquement. Veuillez consulter la rubrique Centre SAV Milwaukee, dans la section Pièces et Services du site Web de MILWAUKEE, à l'adresse www.milwaukeeool.com, ou composer le 1-800-SAWDUST (1-800-729-3878) afin de trouver le centre de service de votre région le plus proche pour l'entretien, sous garantie ou non, de votre outil électrique Milwaukee.

GARANTIE LIMITÉE - MEXIQUE, AMÉRIQUE CENTRALE ET CARAÏBES

TECHTRONIC INDUSTRIES* garantit le produit pendant 3 ans à partir de la date d'achat d'origine. Le présent bon de garantie couvre tous les vices de matériel et de fabrication que peut afficher ce produit. Pour assurer la validité de la présente garantie, veuillez présenter ce bon de garantie, estampillé du sceau du distributeur ou du magasin où le produit a été acheté, au centre de réparations agréé. Si le bon de garantie n'a pas été estampillé, veuillez fournir la preuve d'achat d'origine au centre de réparations agréé.

Pour un entretien des pièces, des accessoires ou des composants, composer sans frais le 1-800-030-7777 afin d'obtenir les coordonnées du centre de réparations agréé le plus près

Procédure pour assurer la validité de la garantie

Présenter le produit au centre de réparations agréé, accompagné du bon de garantie estampillé du sceau du distributeur ou du magasin où le produit a été acheté. Toute pièce défectueuse ou tout composant défectueux sera remplacé(e) sans frais. Milwaukee assume tous les frais de transport liés à ce processus de garantie.

Exceptions

Cette garantie ne s'applique pas dans les situations suivantes :

- le produit a été utilisé pour une fin autre que celle indiquée dans le guide de l'utilisateur final ou le manuel d'instructions.
- si les conditions d'utilisations ne sont pas habituelles.
- si le produit a été modifié ou réparé par une personne non autorisée par TECHTRONIC INDUSTRIES.

Remarque : Si le cordon électrique est endommagé, il doit être remplacé par un centre de réparations agréé pour éviter les risques d'électrocution.

CENTRE DE RÉPARATIONS ET DE SERVICE

Composer le 55 4160-3547

IMPORTÉ ET COMMERCIALISÉ PAR

TECHTRONIC INDUSTRIES, MEXIQUE, S.A. DE C.V.

Miguel de Cervantes Saavedra No.301 Piso 5, Torre Norte

11520 Colonia Ampliación Granada

Miguel Hidalgo, Ciudad de Mexico, Mexico

Modèle : _____

Date d'achat : _____

Sceau du distributeur ou du magasin : _____

IMPORTANTES INSTRUCCIONES DE SEGURIDAD

⚠️ ADVERTENCIA Lea todas las advertencias, instrucciones e ilustraciones de seguridad y las especificaciones provistas con esta herramienta eléctrica. El no cumplir con todas las instrucciones indicadas a continuación puede causar un choque eléctrico, incendio y/o lesiones personales graves. **Guarde todas las advertencias e instrucciones para futura consulta.**

LEA TODAS LAS INSTRUCCIONES ANTES DE USAR

SEGURIDAD EN EL ÁREA DE TRABAJO

- **No se utilice en presencia de polvo, líquidos o vapores explosivos.** Las herramientas eléctricas tienen motores y otras partes que pueden producir chispas durante el uso normal. No se utilice a una distancia menor de 9 metros (30') de las áreas donde pueda haber materiales explosivos (como bombas de gasolina y lugares donde se guardan líquidos como disolventes de pintura, limpiadores, solventes, etc.).
- **No se utilice donde se use oxígeno o anestésicos.**
- **No permita que se use como un juguete.** Es necesario prestar mucha atención cuando lo usen niños o cuando se use cerca de ellos. Guarde las herramientas eléctricas que no estén en uso fuera del alcance de los niños y no permita que personas que no estén familiarizadas con la herramienta eléctrica o con estas instrucciones la usen. Las herramientas eléctricas son peligrosas cuando están en manos de usuarios inexpertos.
- **Tenga especial cuidado al usarlo en escaleras.** No estire demasiado el cuerpo. Mantenga un buen apoyo y equilibrio en todo momento. Mantenga el área de trabajo limpia y bien iluminada. Esto permite un mejor control de la herramienta en situaciones inesperadas.
- **Evite las condiciones ambientales peligrosas.** Para reducir el riesgo de descarga eléctrica, no exponga a la lluvia. Guarde la herramienta bajo techo.
- **Inspeccione el área antes de utilizar la herramienta eléctrica.** Elimine toda la basura y objetos duros tales como rocas, vidrio, alambre, etc. que puedan salir disparados, lanzarse o de otra manera ocasionar lesiones o daños durante la operación.

SEGURIDAD PERSONAL

- **Manténgase alerta, preste atención a lo que hace y use su sentido común cuando maneje cualquier herramienta eléctrica.** No use una herramienta eléctrica si está cansado o bajo la influencia de drogas, alcohol o medicamentos. Un momento de distracción mientras maneja cualquier herramienta eléctrica puede dar como resultado graves lesiones personales.
- **Siempre use protección para los ojos.** El uso de esta herramienta puede ocasionar que objetos extraños sean lanzados hacia los ojos, lo que puede causar daño ocular.
- **Use una mascarilla facial o contra el polvo** cuando trabaje en situaciones donde haya polvo. Las partículas de polvo pueden dañar sus pulmones.

- **Utilice equipo de protección personal.** El equipo de protección, tal como protección auditiva, ropa de protección y zapatos de seguridad antiderrapantes utilizados en condiciones adecuadas reducirá las lesiones personales.
- **Vístase adecuadamente.** No use alhajas ni vestimenta suelta. Mantenga el cabello y la ropa alejados de las partes móviles. La ropa holgada, las alhajas o el cabello largo pueden quedarse atrapados en las partes móviles.
- **No apunte la herramienta hacia usted mismo ni hacia otras personas.** Mantenga a los espectadores a 15 m (50') de distancia durante el uso. Los objetos pueden salir lanzados o rebotar en todas direcciones.
- **No permita que la familiaridad por el uso frecuente de las herramientas lo haga sentirse seguro e ignore los principios de seguridad de las herramientas.** Un descuido puede provocar lesiones graves en una fracción de segundo.

USO Y CUIDADO DE LAS HERRAMIENTAS ELÉCTRICAS

- **Utilice la herramienta eléctrica, los accesorios, etc. de acuerdo con estas instrucciones,** tomando en cuenta las condiciones de trabajo y el trabajo a realizar. El uso de la herramienta eléctrica para funciones diferentes de aquellas para las que fue diseñada puede provocar una situación peligrosa.
- **Evite el arranque accidental.** Asegúrese de el interruptor esté en la posición de apagado antes de conectarlo a una fuente de poder y/o batería, levantar o trasladar la herramienta. Trasladar herramientas con el dedo en el interruptor o energizar herramientas eléctricas que tienen el interruptor encendido propicia accidentes.
- **Use la herramienta eléctrica correcta para su aplicación.** La herramienta eléctrica correcta hará el trabajo mejor y en forma más segura a la velocidad para la cual fue diseñada.
- **Use únicamente como se describe en este manual.** Utilice únicamente los accesorios recomendados por el fabricante.
- **No apunte la herramienta hacia ningún objeto que se esté quemando o despidiendo humo,** como cigarrillos, cerillos o cenizas calientes.
- **Para reducir el riesgo de peligros para la salud por los vapores o el polvo, no utilice la herramienta cerca de materiales tóxicos, carcinogénicos o peligrosos** como asbesto, arsénico, bario, berilio, plomo, pesticidas u otros materiales que pongan en peligro la salud.
- **⚠️ ADVERTENCIA** Algunos polvos generados por el lijado eléctrico, aserrado, pulido, taladrado y otras actividades de construcción contienen químicos identificados como causantes de cáncer, defectos congénitos u otros daños reproductivos. Algunos ejemplos de estos químicos son:
 - plomo de pintura basada en plomo
 - dióxido de silicio de los ladrillos y el cemento y otros productos de albañilería y
 - arsénico y cromo de madera con tratamiento químico.Su riesgo por estas exposiciones varía, dependiendo de la frecuencia con la que realice este tipo de trabajo. Para reducir su exposición a estos químicos: trabaje en un área bien ventilada y trabaje con equipo de seguridad aprobado, como mascarillas protectoras contra polvo especialmente diseñadas para filtrar partículas microscópicas.
- **No utilice la herramienta eléctrica si el interruptor no la enciende y la apaga.** Cualquier herramienta eléctrica que no pueda controlarse con el interruptor es peligrosa y debe repararse.

- **Evite que se encienda accidentalmente. Asegúrese de que el interruptor esté en posición de apagado antes de insertar la batería.** Insertar las baterías en herramientas con el interruptor en posición de encendido es invitar a que ocurra un accidente.
- **No coloque las manos ni objetos en las aberturas.** No use con ninguna de las aberturas bloqueadas; manténgalas libres de polvo, pelusa, cabello o cualquier otro objeto que pudiera reducir el flujo de aire.
- **Mantenga el mango y las superficies de sujeción secos, limpios y libres de aceite y grasa.** El mango y superficies de sujeción resbalosas no permiten el manejo y control seguros de la herramienta en situaciones inesperadas.
- **Dé mantenimiento a las herramientas eléctricas y accesorios.** Verifique que no haya desalineación, amarre de partes móviles, partes rotas o alguna otra condición que pueda afectar el funcionamiento de la herramienta eléctrica. Si se daña, asegúrese de que la herramienta eléctrica sea reparada antes de que se utilice. Muchos accidentes son ocasionados por herramientas eléctricas con mantenimiento deficiente.

USO Y CUIDADO DE LA HERRAMIENTA DE LA BATERÍA

- **Extraiga la batería de la herramienta antes de hacer cualquier ajuste, cambiar accesorios, almacenar o siempre que la herramienta no se esté utilizando.** Dichas medidas de seguridad preventivas reducen el riesgo de que la herramienta eléctrica se active por accidente.
- **Apague la herramienta eléctrica antes de retirar la batería.**
- **No manipule la batería, la herramienta o el cargador (incluyendo el tapón y las terminales del cargador) con las manos húmedas.**
- **Antes de utilizar la batería o el cargador, lea los manuales del operador y cualquier etiqueta presente en la batería, el cargador y la herramienta.**
- **Recargue únicamente con el cargador especificado por el fabricante.** Un cargador que es adecuado para un tipo de batería puede crear un riesgo de incendio si se utiliza con otra batería.
- **Utilice la herramienta únicamente con baterías específicamente diseñadas.** El uso de cualquier otra batería puede producir un riesgo de lesiones e incendio.
- **Cuando la batería no esté en uso, manténgala alejada de otros objetos metálicos como sujetapapeles, monedas, llaves, clavos, tornillos u otros objetos metálicos pequeños que puedan formar una conexión de una terminal a otra.** Crear un corto entre las terminales de la batería puede ocasionar quemaduras o un incendio.
- **Bajo condiciones de uso indebido, el líquido puede ser expulsado de la batería, evite el contacto.** En caso de contacto accidental, lave con agua. Si el líquido entra en contacto con los ojos, busque también ayuda médica. El líquido expulsado de la batería puede causar irritación o quemaduras. Puede ser tóxico si se ingiere.
- **No utilice una batería o herramienta con daños.** Si la batería o el aparato no está funcionando como debería, se ha dejado caer, está dañado, se dejó a la intemperie o cayó en agua, regréselo a un centro de servicio.
- **No exponga una batería o herramienta al fuego o a temperatura excesiva.** La exposición a fuego o temperatura a más de 130° C (265° F) puede causar explosiones.










- **Siga todas las instrucciones de carga y no cargue la batería o la herramienta fuera del rango de temperatura especificado en las instrucciones.** La carga incorrecta o a temperaturas fuera del rango especificado puede dañar la batería y aumentar el riesgo de incendio.

MANTENIMIENTO

- **Lleve su herramienta eléctrica a servicio con un técnico calificado que use únicamente piezas de reemplazo idénticas.** Esto asegurará que la seguridad de la herramienta eléctrica se mantenga.
- **Nunca dé servicio a baterías dañadas.** Únicamente el fabricante o proveedores de servicio autorizados deben dar servicio a las baterías.
- **Conserve las etiquetas y las placas nominales.** Contienen información importante. Si son ilegibles o no están presentes, comuníquese con un centro de servicio MILWAUKEE para obtener un reemplazo gratuito.

LEA Y GUARDE TODAS LAS INSTRUCCIONES PARA USO FUTURO

SIMBOLOGÍA

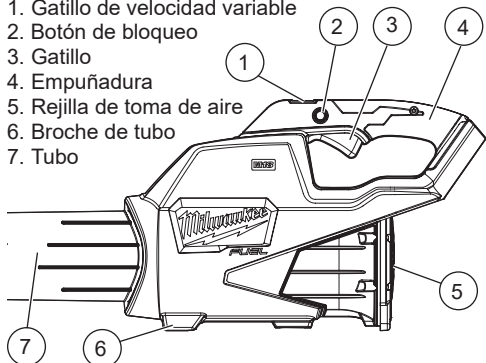
-  Volts
-  Corriente continua
- n, XXXX min⁻¹ Revoluciones por minuto sin carga (RPM)
-  Símbolo de alerta de seguridad
-  Lea el manual del operador
-  Siempre use protección ocular, protección auditiva y ropa y calzado de protección.
-  No la use bajo la lluvia ni en lugares húmedos. Se podría producir una descarga eléctrica mortal.
-  Mantenga a los espectadores a 15 m (50') de distancia durante el uso.
-  No apunte la herramienta hacia usted mismo ni hacia otras personas. Los objetos pueden salir lanzados o rebotar en todas direcciones.
-  No ponga las manos ni objetos en las aberturas. Pueden ocurrir laceraciones.
-  Mantenga el cabello sujetado. Las partes móviles pueden atraparlo.
-  No use ropa o joyería holgada. Las partes móviles pueden atraparlo
-  UL Listing Mark para Canadá y Estados Unidos

ESPECIFICACIONES

Cat. No.	2724-20
Volts.	18 CD
Tipo de batería	M18™
Tipo de cargador	M18™
No Load RPM	14 400
Velocidad del aire (CFM)	0 - 450

DESCRIPCION FUNCIONAL

1. Gatillo de velocidad variable
2. Botón de bloqueo
3. Gatillo
4. Empuñadura
5. Rejilla de toma de aire
6. Broche de tubo
7. Tubo



OPERACION

⚠ ADVERTENCIA Para reducir el riesgo de lesiones, use siempre lentes de seguridad o anteojos con protectores laterales.

Cómo arrancar, detener y controlar la velocidad

⚠ ADVERTENCIA No apunte la herramienta hacia usted mismo ni hacia otras personas. Mantenga a los espectadores a 15 m (50') de distancia durante el uso. Los objetos pueden salir lanzados o rebotar en todas direcciones.

Para arrancar la herramienta, sujete la empuñadura firmemente y oprima el gatillo.

Para variar la velocidad, aumente o disminuya la presión sobre el gatillo. Cuanto más se jala el gatillo, mayor es el caudal de aire, hasta el máximo ajustado por el interruptor de control de velocidad. La alta velocidad (conejo) es 450 cfm, y la velocidad baja (tortuga) es 295 cfm.

Para bloquear la herramienta, jale el gatillo y presione el botón de bloqueo.

Para detener la herramienta, jale el gatillo y suéltelo.

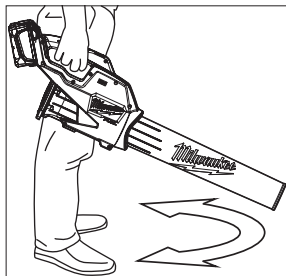
Uso del soplador

⚠ ADVERTENCIA Inspeccione el área antes de utilizar la unidad. Elimine toda la basura y objetos duros tales como rocas, vidrio, alambre, etc. que puedan salir disparados, lanzarse o de otra manera ocasionar lesiones o daños durante la operación.

Sostenga el tubo de 127 mm (5") a 152 mm (6") por encima del suelo.

Pase lentamente el soplador de lado a lado.

Avance lentamente, trabajando los escombros en una pila.



ENSAMBLAJE

⚠ ADVERTENCIA Recargue la batería sólo con el cargador especificado para ella. Para instrucciones específicas sobre cómo cargar, lea el manual del operador suministrado con su cargador y la batería.

Como se inserta/quita la batería en la herramienta

Para retirar la batería, presione los botones de liberación y jale de la batería para sacarla de la herramienta.

⚠ ADVERTENCIA Para reducir el riesgo de lesiones, extraiga siempre la batería antes de acoplar o desacoplar accesorios.

Para introducir la batería, deslícela en el cuerpo de la herramienta. Asegúrese de que quede bien firme en su posición.

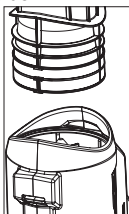
⚠ ADVERTENCIA Utilice únicamente accesorios específicamente recomendados para esta herramienta. El uso de accesorios no recomendados podría resultar peligroso.

Ensamble del tubo

⚠ ADVERTENCIA Para reducir el riesgo de lesiones, no utilice el soplador sin el tubo firmemente colocado en su lugar. Nunca introduzca la mano en el soplador a través del orificio del tubo.

Para instalar el tubo, alinee la pestaña del tubo con la muesca de la carcasa. Deslice el tubo en la carcasa hasta que el broche del tubo entre a presión a su lugar. Tire del tubo para asegurarse de que esté firme.

Para retirar el tubo para guardarlo, presione el broche del tubo y jálelo para extraerlo de la carcasa. Siempre reinstale el tubo antes de usar.



MANTENIMIENTO

⚠ ADVERTENCIA Para reducir el riesgo de una lesión, desconecte siempre la herramienta antes de darle cualquier mantenimiento. Nunca desarme la herramienta ni trate de hacer modificaciones en el sistema eléctrico de la misma. Acuda siempre a un Centro de Servicio MILWAUKEE para TODAS las reparaciones.

Mantenimiento de las herramientas

Adopte un programa regular de mantenimiento y mantenga su herramienta en buenas condiciones. Inspeccione la herramienta para problemas como ruidos indebidos, desalineadas o agarradas de partes móviles, piezas rotas o cualquier otra condición que pueda afectar el funcionamiento de la herramienta. Envíe su herramienta al Centro de Servicio MILWAUKEE para reparación. Después de 6 meses a un año, dependiendo del uso dado, envíe su herramienta al Centro de Servicio MILWAUKEE más cercano para la inspección.

Si la herramienta no arranca u opera a toda su potencia con una batería completamente cargada, limpie, con una goma o borrador, los contactos de la batería y de la herramienta. Si aun asi la herramienta no trabaja correctamente, regrésela, con el cargador y la batería, a un centro de servicio MILWAUKEE.

⚠ ADVERTENCIA Para reducir el riesgo de lesiones, descarga eléctrica o daño a la herramienta, nunca la sumerja en líquidos ni permita que estos fluyan dentro de la misma.

Limpieza

Limpie el polvo y suciedad de las ventilas. Mantenga los mangos limpios, secos y libres de aceite o grasa. Use solo jabón neutro y un trapo húmedo para limpiar, ya que algunos substancias y solventes limpiadores son dañinos a los plásticos y partes aislantes. Algunos de estos incluyen: gasolina, turpentina, thinner, lacas, thinner para pinturas, solventes para limpieza con cloro, amoníaco y detergentes caseros que tengan amonia. Nunca usa solventes inflamables o combustibles cerca de una herramienta.

Reparaciones

Si su herramienta, batería o cargador están dañados, envíela al centro de servicio más cercano.

ACCESORIOS

⚠ ADVERTENCIA Utilice sólo los accesorios específicamente recomendados. Otros accesorios puede ser peligroso.

Para una lista completa de accesorios, visite nuestro sitio en Internet: www.milwaukeetool.com o póngase en contacto con un distribuidor.

SOPORTE DE SERVICIO - MEXICO

CENTRO DE ATENCION A CLIENTES

Techtronic Industries Mexico, S.A. de C.V.

Av. Presidente Mazarín 29 Piso 7

11560 Polanco V Seccion

Miguel Hidalgo, Distrito Federal, México

01 (800) 030-7777 o (55) 4160-3540

Lunes a Viernes (9am a 6pm)

O contáctanos en www.milwaukeetool.com.mx

GARANTÍA LIMITADA - E.U.A. Y CANADÁ

Cada producto de equipos eléctricos para el exterior* de MILWAUKEE (ver excepciones a continuación) tiene garantía solamente con el comprador original contra defectos del material y calidad. Sujeto a ciertas excepciones, MILWAUKEE reparará o reemplazará cualquier parte de un producto de equipos eléctricos para el exterior que, después de examinarse, sea determinado por MILWAUKEE que tienen material o calidad defectuoso durante un periodo de tres (3) años después de la fecha de compra a menos que se estipule lo contrario. Se requiere la devolución del equipo eléctrico para el exterior a un lugar del Centro de servicio de una fábrica MILWAUKEE o Estación de servicio autorizado MILWAUKEE, con el flete pagado por anticipado y asegurado. Deberá incluirse una copia del comprobante de compra con la devolución del producto. Esta garantía no aplica a daños que MILWAUKEE determine provengan de reparaciones o intentos de reparaciones realizados por alguien que no sea personal autorizado de MILWAUKEE, por mal uso, alteraciones, abuso, deterioro normal, falta de mantenimiento o accidentes. Deterioro normal: muchos productos de equipos eléctricos para el exterior necesitan reemplazo de partes y servicio periódico para lograr su mejor rendimiento. Esta garantía no cubre la reparación cuando el uso normal ha agotado la vida de una parte incluyendo, pero sin limitarse, al cabezal de la bordeadora, el carrete del cabezal de la bordeadora, las líneas de corte, cuchillas, líneas, cadenas, tubos de soplado, cepillos, juntas tóricas y sellos.

*Esta garantía no cubre las Baterías inalámbricas o un Producto reacondicionado. Existen garantías separadas y distintas disponibles para estos productos.

MILWAUKEE no cubre los cargos de fletes o mano de obra asociados con la inspección y pruebas de los productos de equipos eléctricos para el exterior, que MILWAUKEE determine que no sean sujetos a validación de garantía. Una validación de garantía debe estar respaldada por el descubrimiento de material o calidad defectuoso por parte de MILWAUKEE.

LA ACEPTACIÓN DE LAS SOLUCIONES EXCLUSIVAS DE REPARACIÓN Y REEMPLAZO DESCRITAS EN LA PRESENTE ES UNA CONDICIÓN DEL CONTRATO POR LA COMPRA DE CUALQUIER PRODUCTO MILWAUKEE. SI NO ACEPTA ESTA CONDICIÓN, NO DEBE COMPRAR EL PRODUCTO. BAJO NINGUNA CIRCUNSTANCIA MILWAUKEE SERÁ RESPONSABLE DE NINGUN DAÑO INCIDENTAL, ESPECIAL, CONSECUENCIAL O PUNITIVO, O POR NINGUN COSTO, HONORARIOS DE ABOGADOS, GASTOS, PERDIDAS O RETRASOS, SUPUESTOS COMO CONSECUENCIA DE ALGUN DAÑO A, POR FALLA DE O DEFECTO DE NINGUN PRODUCTO INCLUYENDO, PERO SIN LIMITARSE A ALGUN RECLAMO POR PERDIDA DE GANANCIAS. ALGUNOS ESTADOS NO PERMITEN LA EXCLUSIÓN O LIMITACIÓN DE DAÑOS INCIDENTALES O CONSECUENCIALES. POR LO QUE LA LIMITACIÓN O EXCLUSIÓN ANTERIOR PUEDE NO APLICAR A USTED. ESTA GARANTÍA ES EXCLUSIVA Y EN LUGAR DE TODAS LAS DEMÁS GARANTÍAS EXPRESAS, ESCRITAS U ORALES. HASTA DONDE LO PERMITA LA LEY, MILWAUKEE NEGIA CUALQUIER GARANTÍA IMPLÍCITA, INCLUYENDO SIN LIMITARSE A GARANTÍA IMPLÍCITA DE COMERCIABILIDAD O APTITUD POR UN USO O PROPÓSITO EN PARTICULAR; HASTA DONDE DICHO DESCARGO DE RESPONSABILIDAD NO SEA PERMITIDO POR LA LEY, DICHAS GARANTÍAS IMPLÍCITAS SE LIMITAN A LA DURACIÓN DE LA GARANTÍA EXPRESA. APLICABLE COMO SE DESCRIBE ARRIBA. ALGUNOS ESTADOS NO PERMITEN LIMITACIONES SOBRE CUÁNTO TIEMPO DURA UNA GARANTÍA IMPLÍCITA, ASÍ QUE LA LIMITACIÓN ANTERIOR PUEDE NO APLICAR A USTED. ESTA GARANTÍA LE DA DERECHOS LEGALES ESPECIALES Y QUIZA TAMBIÉN TENGA OTROS DERECHOS QUE VAN A VARIAR DE ESTADO A ESTADO. Esta garantía aplica al producto vendido solamente en EE. UU. y Canadá. Consulte la "Búsqueda del centro de servicio" ("Service Center Search") en la sección de Partes y servicios (Parts & Services) de la página web de MILWAUKEE www.milwaukeetool.com o llame al 1.800.SAWDUST (1.800.729.3878) para localizar su centro de servicio más cercano para el servicio de garantía y no garantía de una herramienta eléctrica de Milwaukee.

PÓLIZA DE GARANTÍA - VALIDA SOLO PARA MEXICO, AMÉRICA CENTRAL Y EL CARIBE

La garantía de TECHTRONIC INDUSTRIES es por 3 años a partir de la fecha original de compra. Esta tarjeta de garantía cubre cualquier defecto de material y mano de obra en ese Producto. Para hacer válida esta garantía, presente esta tarjeta de garantía, cerrada/sellada por el distribuidor o la tienda donde compró el producto, al Centro de Servicio Autorizado (ASC). O, si esta tarjeta no se ha cerrado/sellado, presente la prueba original de compra a ASC. Llame gratis al 01 (800) 030-7777 para encontrar el ASC más cercano, para servicio, partes, accesorios o componentes.

Procedimiento para hacer válida esta garantía

Lleve el producto a ASC, junto con la tarjeta de garantía cerrada/sellada por el distribuidor o la tienda donde compró el producto, y cualquier pieza o componente defectuoso se reemplazará sin costo para usted. Cubriremos todos los costos de flete con relación a este proceso de garantía

Excepciones

Esta garantía no tendrá validez en las siguientes situaciones:

- Cuando el producto se use de manera distinta a la que indica el manual del usuario final o de instrucciones.
- Cuando las condiciones de uso no sean normales.
- Cuando otras personas no autorizadas por TECHTRONIC INDUSTRIES modifiquen o reparen el producto.

Nota: si el juego de cables está dañado, tiene que reemplazarse en un Centro de Servicio Autorizado para evitar riesgos eléctricos.

CENTRO DE SERVICIO Y ATENCIÓN

Llame al 55 4160-3547

IMPORTADO Y COMERCIALIZADO POR

TECHTRONIC INDUSTRIES, MEXICO, S.A. DE C.V.

Miguel de Cervantes Saavedra No.301 Piso 5, Torre Norte

11520 Colonia Ampliación Granada

Miguel Hidalgo, Ciudad de Mexico, Mexico

Modelo: _____

Fecha de Compra: _____

Sello del Distribuidor: _____

MILWAUKEE TOOL
13135 West Lisbon Road
Brookfield, WI 53005 USA

58140088d3
08/19

961013161-02(A)
Printed in Vietnam